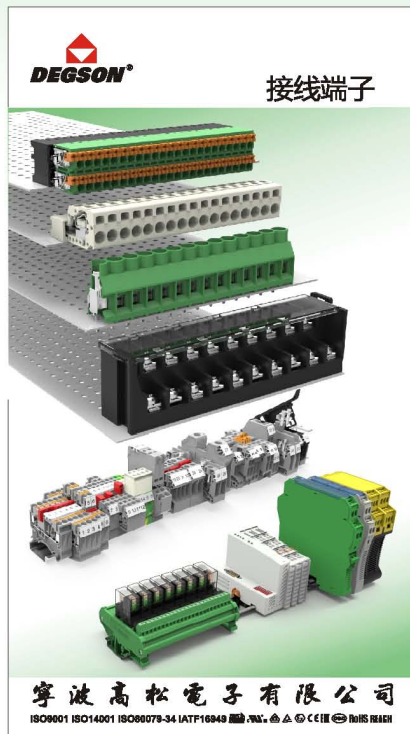


DEGSON 是专业工业连接器制造商，能为客户提供定制化的解决方案。
 DEGSON is a professional industrial connector manufacturer that offers customized solutions to customers.



圆形连接器

圆形连接器



CC 19-CE02

DEGSON
 宁波高松电子有限公司
 DEGSON ELECTRONICS CO.,LTD.

Add: No.1585, Xiaolin Road, Cixi,Ningbo China
 P.C.: 315321
 www.degson.com

Tel: +86-574-63504333
 Fax: +86-574-63512345
 E-mail: sale@degson.com



The catalog is only for reference,and the detail data must be based on our company's specification!

宁波高松电子有限公司
 DEGSON ELECTRONICS CO.,LTD.
 ISO9001 ISO14001 ISO80079-34 IATF16949



公司简介

DEGSON高松电子有限公司创建于1990年，是一家高新技术企业，是亚洲最大接线端子和工业电气连接领域专业制造商之一，是亚洲首家同时拥有美国UL和德国VDE认可专业实验室的企业。产品通过了UL、CE、RoHS REACH等认证。公司通过了ISO9001、ISO14001、ISO80079-34、ISO/TS22163和IATF16949管理体系认证。

DEGSON高松产品畅销中国、德国、英国、意大利、西班牙、波兰、俄罗斯、印度、土耳其、巴西、美国、日本、韩国、南非等100多个国家和地区，为全球工业自动化、仪器仪表、电梯、电力电气、轨道交通、新能源、照明、通讯、电源、安防、船舶等行业，提供优良的产品和服务。

DEGSON高松在全球建立了完善的销售网络，在德国和上海建立了营销中心，29年来DEGSON高松以务实诚信、责任创新、和谐发展、规则共赢的企业精神，更好地为客户提供更快捷、全面、专业的本地化服务。

Brief Introduction

Founded in 1990, DEGSON Electronics Co., Ltd. is one of the largest manufacturers of terminal blocks and industrial electrical connection products in Asia. As a high-tech enterprise, DEGSON owns the first UL and VDE authorized laboratory in Asia. DEGSON products have been approved by UL, CE, RoHS REACH. The company has been granted ISO9001, ISO14001, ISO80079-34, ISO/TS22163 and IATF16949 management system certificates.

DEGSON products are very popular in China, Germany, UK, Italy, Spain, Poland, Russia, India, Turkey, Brazil, USA, Japan, Korea, South Africa, etc. totally more than 100 countries and areas. DEGSON provides excellent products and service for the customers all over the world, especially in Industrial Automation, Instrument, Elevator, Electric Power, Rail Transport, New Energy, Lighting, Telecommunication, Power Supply, Security, Ship-building and so on.

DEGSON fulfills the sales network all over the world and sets up marketing centers in Germany and Shanghai, China. Pragmatic, Sincerity, Responsibility, Innovation, Harmonious Development, Rule and Win-win. In accordance with these spirits of enterprise for 29 years, DEGSON will keep providing more speedy, comprehensive and professional local service to our customers.



亚洲首家同时拥有美国UL、德国VDE认可的实验室 First Lab. authorized by UL&VDE in Asia

UL、VDE技术拜访 Visiting UL,VDE



① UL能源与科技全球事业部总经理来访我司

① The general manager of UL global energy & technology division visit our company



② 我司总经理到VDE拜访，受到VDE机构的热烈欢迎

② Visiting VDE, VDE office gave a warm welcome to our general manager Mr.Ding.



③ VDE实验室认可：2010年7月VDE正式向DEGSON颁发了“VDE认可实验室”证书。
UL实验室认可：2013年3月UL正式向DEGSON颁发“UL WTDP”证书。
2016年4月，UL颁发了CDTP实验室认可证书。
2016年12月，VDE颁发了TDAP实验室认可证书。
2017年1月，IRIS体系审核通过。

③ VDE Laboratory Accreditation: In July 2010, VDE Issued the "VDE Authorized Laboratory" Certificate to DEGSON's laboratory.
UL Laboratory Accreditation: UL formally issued "UL WTDP" certification to DEGSON in March 2013.
On April, 2016, UL-CTDP.
On December, 2016, VDE-TDAP.
On January, 2017, Pass IRIS system audit.



ISO9001



ISO14001



ISO22163



UL CTDP 实验室证书
UL - CTDP



VDE TDAP 实验室证书
VDE - TDAP



EX 证书
EX certificate



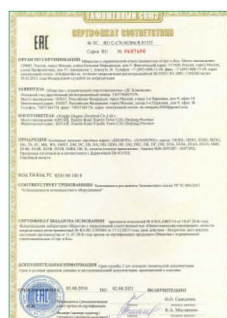
UL 证书号:E228872 1400种规格
UL File NO.:E228872 1400 items



165 VDE 证书 1000种规格
165 VDE certificates for 1000 items



TUV 证书
TUV certificate



EAC 证书
EAC certificate



CE 证书
CE certificate



中国发明专利证书
Chinese invention patent

目录 CONTENTS

圆形连接器系列，适用于工业环境的各种设备连接技术，可用于信号及功率传输，现场安装可提供屏蔽与非屏蔽两种规格。可根据客户不同需求开发定制相应产品。

Circular connector series which functions as signal and power transfer are applied to device connection in industrial environment. While shielded type and unshielded type of circular connector are used in field assembly. What's more, customized circular connectors can be designed according to customer's need.



M5 成型电缆 M5 overmolded with cable plug 02-05

M5 面板安装 M5 Panel mounting 06-15



M8 成型电缆 M8 overmolded with cable plug 18-27

M8 面板安装 M8 Panel mounting 28-45

M8 现场安装 M8 Field assembly 46-53



M12 成型电缆 M12 overmolded with cable plug 56-81

M12 面板安装 M12 Panel mounting 82-113

M12 现场安装 M12 Field assembly 114-137



M8、M12 分配器 M8、M12 Distributor 140-143

M8 分线盒 M8 Junction box 145-152



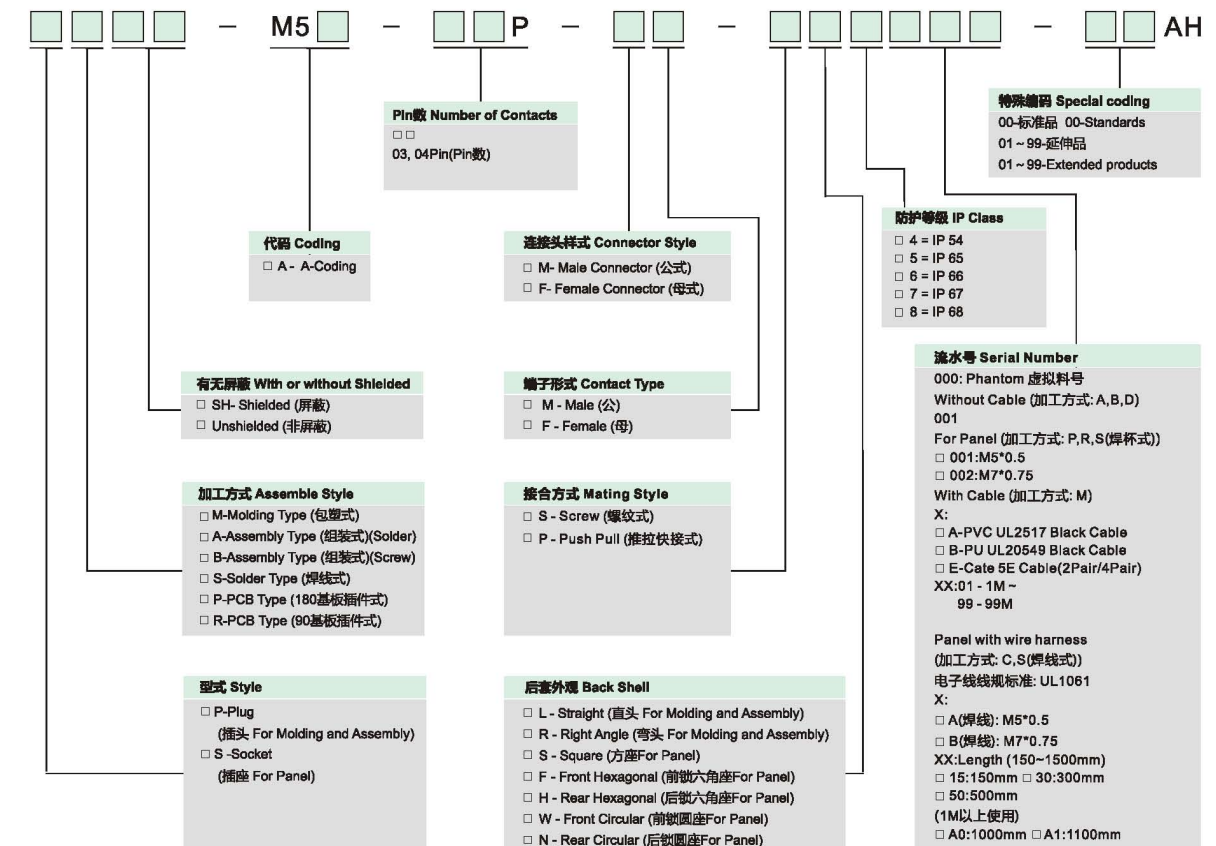
优势/特点

- 密封性较强，防护等级可达IP67。
- 微型连接器，占用空间小。
- 可选接线方式，适用于持续冲击、振动的应用环境。
- 可与市场同系列连接器互配。
- 线缆材质：PUR, PVC。
- 防护等级：IP65, IP67。
- 接线方式可选。
- 符合IEC61076标准。

Advantages / Features

- Good sealing performance, with IP class up to IP 67.
- Micro connectors, save space.
- Suitable for continuous shock and vibration environment.
- compatible with same series connectors on the market.
- Cable material: PUR, PVC.
- IP-class: IP65, IP67.
- Wire connection method is optional.
- Compliance with IEC 61076 standard.

圆形连接器编码规则 Circular Connectors Part Number

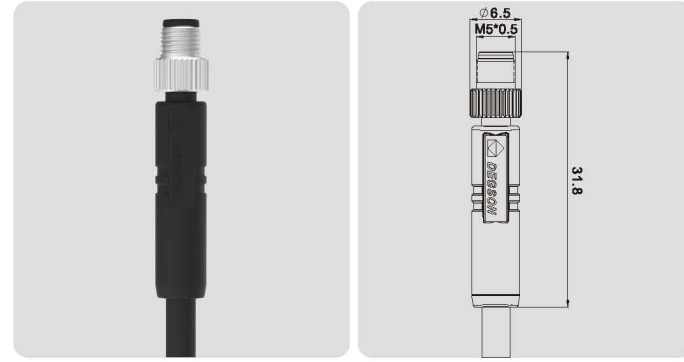


例如：
M5孔式插头4Pin: PM-M5A-04P-FF-SL7A01-00A(H)
表示：线端包塑，M5 A-Coding，4Pin，母座母Pin，螺纹锁合，直头，防水等级IP67，PVC黑色外被UL2517线缆，长度1.0M，标准品。

For example:
M5 female plug 4Pin: PM-M5A-04P-FF-SL7A01-00A(H)
Details: Plastic covered at the end of wire, M5 A-Coding, 4Pin, female socket female Pin, thread locked, straight head, IP67, PVC black jacket. Covered by UL2517 wire, the length of 1.0M, standard products.

M5 x 0.5 针式成型电缆插头，单端，非屏蔽，直头。

M5 x 0.5 Male Overmolded with Cable plug, Single end, Unshielded, Straight.

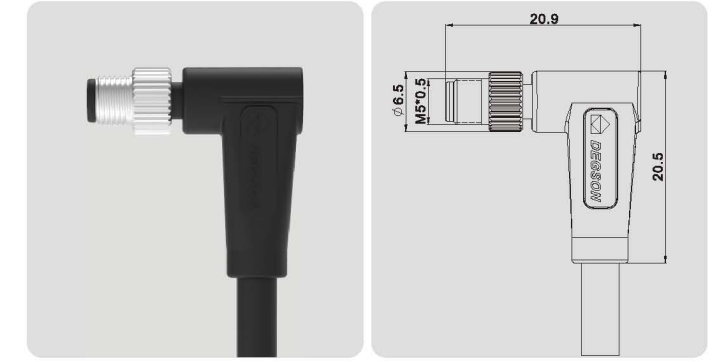

技术数据 Technical Data

标准 Standard	IEC 61076	端子载体材料 Contact carriers material	PU
系列 Series	M5, Male, Straight	端子材料 Contact material	Copper Alloy, Gold-plated
Pin针数量 Number of Pins	03,04 Pin	金属螺母 Metal of nut	Copper Alloy with Nickel Plated
额定电流 Rated Current	1A max.	胶圈 Seal	Silicone
额定电压 Rated voltage	60V max.	电缆外皮材料 Cable jacket material	PUR / PVC
绝缘电阻 Insulation resistance	≥100M Ω	屏蔽 Shielding	Unshielded
接触电阻 Contact resistance	≤5m Ω	机械寿命 Mechanical life	> 100 mating cycles
运行温度 Ambient temperature	-25 ~ +80°C	—	—
防护等级 IP Class	IP67	—	—

针数 Number of Pins		03 Pin	04 Pin
编码 Coding	编码 Coded	A-Coded	A-Coded
	正面图 Front View		
额定电流 Rated current	A.	1A	1A
额定电压 Rated voltage	V.	60V	60V
电线/电缆 Wire/Cable	线规 Wire gauge	26AWG	26AWG
	横截面 Cross section	0.14mm ²	0.14mm ²
	接线表 Wiring list	1.BN 3.BU 4.BK	1.BN 2.WH 3.BU 4.BK
描述 Description	订单号 Order NO.	订单号 Order NO.	
PVC	1m	PM-M5A-03P-MM-SL7A01-00AH	PM-M5A-04P-MM-SL7A01-00AH
	3m	PM-M5A-03P-MM-SL7A03-00AH	PM-M5A-04P-MM-SL7A03-00AH
	5m	PM-M5A-03P-MM-SL7A05-00AH	PM-M5A-04P-MM-SL7A05-00AH
	定制化 Customized
PUR	1m	PM-M5A-03P-MM-SL7B01-00AH	PM-M5A-04P-MM-SL7B01-00AH
	3m	PM-M5A-03P-MM-SL7B03-00AH	PM-M5A-04P-MM-SL7B03-00AH
	5m	PM-M5A-03P-MM-SL7B05-00AH	PM-M5A-04P-MM-SL7B05-00AH
	定制化 Customized

M5 x 0.5 针式成型电缆插头，单端，非屏蔽，弯头。

M5 x 0.5 Male Overmolded with Cable plug, Single end, Unshielded, Angled.

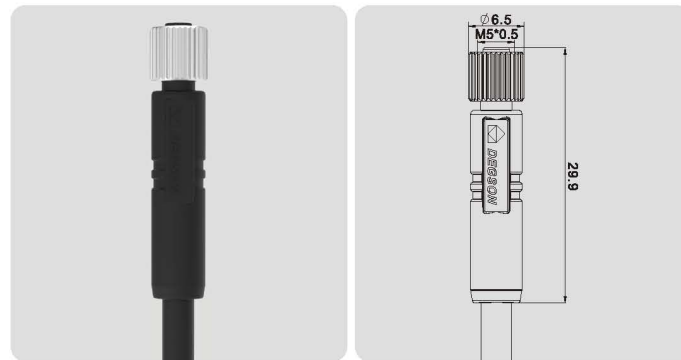

技术数据 Technical Data

标准 Standard	IEC 61076	端子载体材料 Contact carriers material	PU
系列 Series	M5, Male, Angled	端子材料 Contact material	Copper Alloy, Gold-plated
Pin针数量 Number of Pins	03,04 Pin	金属螺母 Metal of nut	Copper Alloy with Nickel Plated
额定电流 Rated Current	1A max.	胶圈 Seal	Silicone
额定电压 Rated voltage	60V max.	电缆外皮材料 Cable jacket material	PUR / PVC
绝缘电阻 Insulation resistance	≥100M Ω	屏蔽 Shielding	Unshielded
接触电阻 Contact resistance	≤5m Ω	机械寿命 Mechanical life	> 100 mating cycles
运行温度 Ambient temperature	-25 ~ +80°C	—	—
防护等级 IP Class	IP67	—	—

针数 Number of Pins		03 Pin	04 Pin
编码 Coding	编码 Coded	A-Coded	A-Coded
	正面图 Front View		
额定电流 Rated current	A.	1A	1A
额定电压 Rated voltage	V.	60V	60V
电线/电缆 Wire/Cable	线规 Wire gauge	26AWG	26AWG
	横截面 Cross section	0.14mm ²	0.14mm ²
	接线表 Wiring list	1.BN 3.BU 4.BK	1.BN 2.WH 3.BU 4.BK
描述 Description	订单号 Order NO.	订单号 Order NO.	
PVC	1m	PM-M5A-03P-MM-SR7A01-00AH	PM-M5A-04P-MM-SR7A01-00AH
	3m	PM-M5A-03P-MM-SR7A03-00AH	PM-M5A-04P-MM-SR7A03-00AH
	5m	PM-M5A-03P-MM-SR7A05-00AH	PM-M5A-04P-MM-SR7A05-00AH
	定制化 Customized
PUR	1m	PM-M5A-03P-MM-SR7B01-00AH	PM-M5A-04P-MM-SR7B01-00AH
	3m	PM-M5A-03P-MM-SR7B03-00AH	PM-M5A-04P-MM-SR7B03-00AH
	5m	PM-M5A-03P-MM-SR7B05-00AH	PM-M5A-04P-MM-SR7B05-00AH
	定制化 Customized

M5 x 0.5 孔式成型电缆插头，单端，非屏蔽，直头。

M5 x 0.5 Female Overmolded with Cable plug, Single end, Unshielded, Straight.


技术数据 Technical Data

标准 Standard	IEC 61076	端子载体材料 Contact carriers material	PU
系列 Series	M5, Female, Straight	端子材料 Contact material	Copper Alloy, Gold-plated
Pin针数量 Number of Pins	03, 04 Pin	金属螺母 Metal of nut	Copper Alloy with Nickel Plated
额定电流 Rated Current	1A max.	胶圈 Seal	Silicone
额定电压 Rated voltage	60V max.	电缆外皮材料 Cable jacket material	PUR / PVC
绝缘电阻 Insulation resistance	≥100MΩ	屏蔽 Shielding	Unshielded
接触电阻 Contact resistance	≤5mΩ	机械寿命 Mechanical life	> 100 mating cycles
运行温度 Ambient temperature	-25 ~ +80°C	—	—
防护等级 IP Class	IP67	—	—

针数 Number of Pins		03 Pin	04 Pin
编码 Coding	编码 Coded	A-Coded	A-Coded
	正面图 Front View		
额定电流 Rated current	A.	1A	1A
额定电压 Rated voltage	V.	60V	60V
电线电缆 Wire/Cable	线规 Wire gauge	26AWG	26AWG
	横截面 Cross section	0.14mm ²	0.14mm ²
	接线表 Wiring list	1.BN 3.BU 4.BK	1.BN 2.WH 3.BU 4.BK
描述 Description	订单号 Order NO.	订单号 Order NO.	订单号 Order NO.
PVC	1m	PM-M5A-03P-FF-SL7A01-00AH	PM-M5A-04P-FF-SL7A01-00AH
	3m	PM-M5A-03P-FF-SL7A03-00AH	PM-M5A-04P-FF-SL7A03-00AH
	5m	PM-M5A-03P-FF-SL7A05-00AH	PM-M5A-04P-FF-SL7A05-00AH
	定制化 Customized
PUR	1m	PM-M5A-03P-FF-SL7B01-00AH	PM-M5A-04P-FF-SL7B01-00AH
	3m	PM-M5A-03P-FF-SL7B03-00AH	PM-M5A-04P-FF-SL7B03-00AH
	5m	PM-M5A-03P-FF-SL7B05-00AH	PM-M5A-04P-FF-SL7B05-00AH
	定制化 Customized

M5 x 0.5 孔式成型电缆插头，单端，非屏蔽，弯头。

M5 x 0.5 Female Overmolded with Cable plug, Single end, Unshielded, Angled.

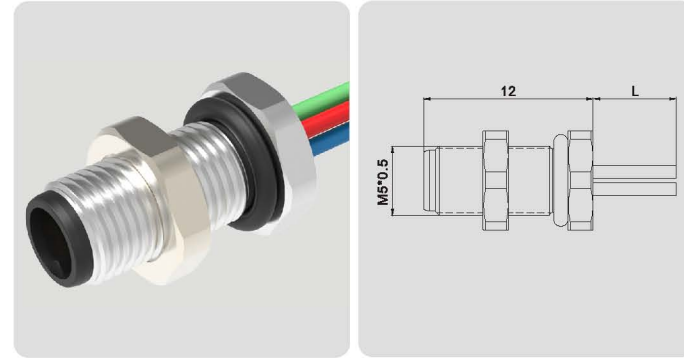

技术数据 Technical Data

标准 Standard	IEC 61076	端子载体材料 Contact carriers material	PU
系列 Series	M5, Female, Angled	端子材料 Contact material	Copper Alloy, Gold-plated
Pin针数量 Number of Pins	03, 04 Pin	金属螺母 Metal of nut	Copper Alloy with Nickel Plated
额定电流 Rated Current	1A max.	胶圈 Seal	Silicone
额定电压 Rated voltage	60V max.	电缆外皮材料 Cable jacket material	PUR / PVC
绝缘电阻 Insulation resistance	≥100MΩ	屏蔽 Shielding	Unshielded
接触电阻 Contact resistance	≤5mΩ	机械寿命 Mechanical life	> 100 mating cycles
运行温度 Ambient temperature	-25 ~ +80°C	—	—
防护等级 IP Class	IP67	—	—

针数 Number of Pins		03 Pin	04 Pin
编码 Coding	编码 Coded	A-Coded	A-Coded
	正面图 Front View		
额定电流 Rated current	A.	1A	1A
额定电压 Rated voltage	V.	60V	60V
电线电缆 Wire/Cable	线规 Wire gauge	26AWG	26AWG
	横截面 Cross section	0.14mm ²	0.14mm ²
	接线表 Wiring list	1.BN 3.BU 4.BK	1.BN 2.WH 3.BU 4.BK
描述 Description	订单号 Order NO.	订单号 Order NO.	订单号 Order NO.
PVC	1m	PM-M5A-03P-FF-SR7A01-00AH	PM-M5A-04P-FF-SR7A01-00AH
	3m	PM-M5A-03P-FF-SR7A03-00AH	PM-M5A-04P-FF-SR7A03-00AH
	5m	PM-M5A-03P-FF-SR7A05-00AH	PM-M5A-04P-FF-SR7A05-00AH
	定制化 Customized
PUR	1m	PM-M5A-03P-FF-SR7B01-00AH	PM-M5A-04P-FF-SR7B01-00AH
	3m	PM-M5A-03P-FF-SR7B03-00AH	PM-M5A-04P-FF-SR7B03-00AH
	5m	PM-M5A-03P-FF-SR7B05-00AH	PM-M5A-04P-FF-SR7B05-00AH
	定制化 Customized

M5 x 0.5 针式面板安装插座，板后安装，带0.5m导线。

M5 x 0.5 Male Panel Mount Receptacle, Rear Mounting, with 0.5m wires.



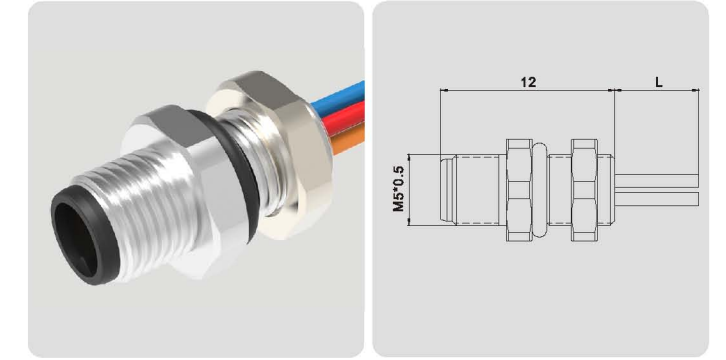
技术数据 Technical Data

标准 Standard	IEC 61076	端子载体材料 Contact carriers material	PA
系列 Series	M5, Male	端子材料 Contact material	Copper Alloy, Gold-plated
Pin针数量 Number of Pins	03,04 Pin	金属螺母 Metal of nut	Copper Alloy with Nickel Plated
额定电流 Rated Current	1A max.	胶圈 Seal	Silicone
额定电压 Rated voltage	60V max.	屏蔽 Shielding	Unshielded
绝缘电阻 Insulation resistance	≥100MΩ	机械寿命 Mechanical life	> 100 mating cycles
接触电阻 Contact resistance	≤5mΩ	—	—
运行温度 Ambient temperature	-25 ~ +85℃	—	—
防护等级 IP Class	IP67	—	—

针数 Number of Pins		03 Pin	04 Pin
编码 Coding	编码 Coded	A-Coded	A-Coded
	正面图 Front View		
额定电流 Rated current	A.	1A	1A
额定电压 Rated voltage	V.	60V	60V
电线/电缆 Wire/Cable	线规 Wire gauge	26AWG	26AWG
	横截面 Cross section	0.14mm ²	0.14mm ²
	接线表 Wiring list	1.BN 3.BU 4.BK	1.BN 2.WH 3.BU 4.BK
描述 Description	订单号 Order NO.	订单号 Order NO.	订单号 Order NO.
0.5m	SD-M5A-03P-MM-SF7A50-00AH	SD-M5A-04P-MM-SF7A50-00AH	SD-M5A-04P-MM-SH7A50-00AH
定制化 Customized

M5 x 0.5 针式面板安装插座，板前安装，带0.5m导线。

M5 x 0.5 Male Panel Mount Receptacle, Front Mounting, with 0.5m wires.



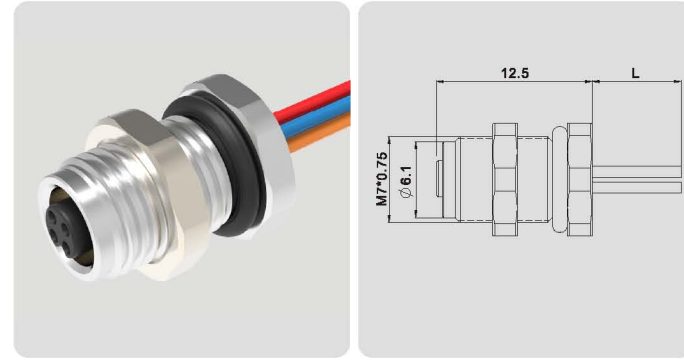
技术数据 Technical Data

标准 Standard	IEC 61076	端子载体材料 Contact carriers material	PA
系列 Series	M5, Male	端子材料 Contact material	Copper Alloy, Gold-plated
Pin针数量 Number of Pins	03,04 Pin	金属螺母 Metal of nut	Copper Alloy with Nickel Plated
额定电流 Rated Current	1A max.	胶圈 Seal	Silicone
额定电压 Rated voltage	60V max.	屏蔽 Shielding	Unshielded
绝缘电阻 Insulation resistance	≥100MΩ	机械寿命 Mechanical life	> 100 mating cycles
接触电阻 Contact resistance	≤5mΩ	—	—
运行温度 Ambient temperature	-25 ~ +85℃	—	—
防护等级 IP Class	IP67	—	—

针数 Number of Pins		03 Pin	04 Pin
编码 Coding	编码 Coded	A-Coded	A-Coded
	正面图 Front View		
额定电流 Rated current	A.	1A	1A
额定电压 Rated voltage	V.	60V	60V
电线/电缆 Wire/Cable	线规 Wire gauge	26AWG	26AWG
	横截面 Cross section	0.14mm ²	0.14mm ²
	接线表 Wiring list	1.BN 3.BU 4.BK	1.BN 2.WH 3.BU 4.BK
描述 Description	订单号 Order NO.	订单号 Order NO.	订单号 Order NO.
0.5m	SD-M5A-03P-MM-SH7A50-00AH	SD-M5A-04P-MM-SH7A50-00AH	SD-M5A-04P-MM-SH7A50-00AH
定制化 Customized

M5 x 0.5 孔式面板安装插座，板后安装，带0.5m导线。

M5 x 0.5 Female Panel Mount Receptacle, Rear Mounting, with 0.5m wires.

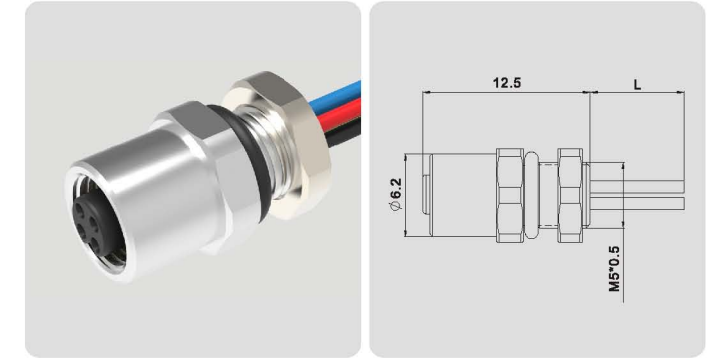

技术数据 Technical Data

标准 Standard	IEC 61076	端子载体材料 Contact carriers material	PA
系列 Series	M5, Female	端子材料 Contact material	Copper Alloy, Gold-plated
Pin针数量 Number of Pins	03,04 Pin	金属螺母 Metal of nut	Copper Alloy with Nickel Plated
额定电流 Rated Current	1A max.	胶圈 Seal	Silicone
额定电压 Rated voltage	60V max.	屏蔽 Shielding	Unshielded
绝缘电阻 Insulation resistance	≥100MΩ	机械寿命 Mechanical life	> 100 mating cycles
接触电阻 Contact resistance	≤5mΩ	—	—
运行温度 Ambient temperature	-25 ~ +85℃	—	—
防护等级 IP Class	IP67	—	—

针数 Number of Pins		03 Pin	04 Pin
编码 Coding	编码 Coded	A-Coded	A-Coded
	正面图 Front View		
额定电流 Rated current	A.	1A	1A
额定电压 Rated voltage	V.	60V	60V
电线/电缆 Wire/Cable	线规 Wire gauge	26AWG	26AWG
	横截面 Cross section	0.14mm ²	0.14mm ²
	接线表 Wiring list	1.BN 3.BU 4.BK	1.BN 2.WH 3.BU 4.BK
描述 Description	订单号 Order NO.	订单号 Order NO.	订单号 Order NO.
0.5m	SD-M5A-03P-FF-SF7B50-00AH	SD-M5A-04P-FF-SF7B50-00AH	SD-M5A-04P-FF-SH7A50-00AH
定制化 Customized

M5 x 0.5 孔式面板安装插座，板前安装，带0.5m导线。

M5 x 0.5 Female Panel Mount Receptacle, Front Mounting, with 0.5m wires.

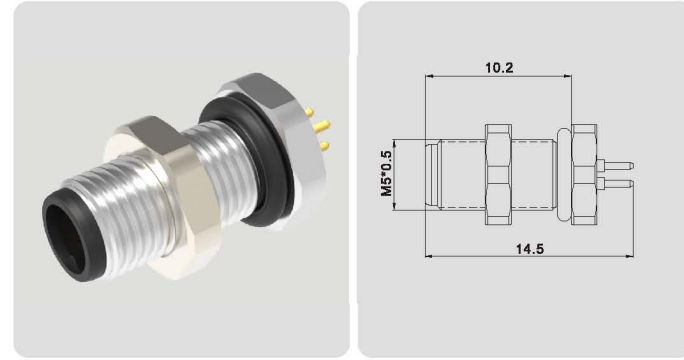

技术数据 Technical Data

标准 Standard	IEC 61076	端子载体材料 Contact carriers material	PA
系列 Series	M5, Female	端子材料 Contact material	Copper Alloy, Gold-plated
Pin针数量 Number of Pins	03,04 Pin	金属螺母 Metal of nut	Copper Alloy with Nickel Plated
额定电流 Rated Current	1A max.	胶圈 Seal	Silicone
额定电压 Rated voltage	60V max.	屏蔽 Shielding	Unshielded
绝缘电阻 Insulation resistance	≥100MΩ	机械寿命 Mechanical life	> 100 mating cycles
接触电阻 Contact resistance	≤5mΩ	—	—
运行温度 Ambient temperature	-25 ~ +85℃	—	—
防护等级 IP Class	IP67	—	—

针数 Number of Pins		03 Pin	04 Pin
编码 Coding	编码 Coded	A-Coded	A-Coded
	正面图 Front View		
额定电流 Rated current	A.	1A	1A
额定电压 Rated voltage	V.	60V	60V
电线/电缆 Wire/Cable	线规 Wire gauge	26AWG	26AWG
	横截面 Cross section	0.14mm ²	0.14mm ²
	接线表 Wiring list	1.BN 3.BU 4.BK	1.BN 2.WH 3.BU 4.BK
描述 Description	订单号 Order NO.	订单号 Order NO.	订单号 Order NO.
0.5m	SD-M5A-03P-FF-SH7A50-00AH	SD-M5A-04P-FF-SH7A50-00AH	SD-M5A-04P-FF-SH7A50-00AH
定制化 Customized

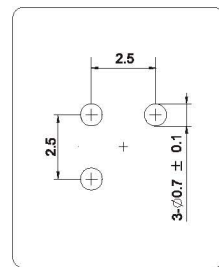
M5 x 0.5 针式面板安装插座，板后安装，非屏蔽，PCB焊接。

M5x0.5 Male Panel Mount Receptacle, Rear Mounting, Unshielded, PCB Soldering.

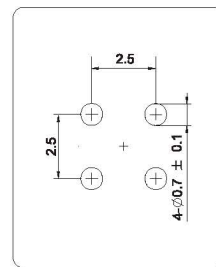

技术数据 Technical Data

标准 Standard	IEC 61076	端子载体材料 Contact carriers material	PA
系列 Series	M5, Male	端子材料 Contact material	Copper Alloy, Gold-plated
Pin针数量 Number of Pins	03,04 Pin	金属螺母 Metal of nut	Copper Alloy with Nickel Plated
额定电流 Rated Current	1A max.	胶圈 Seal	Silicone
额定电压 Rated voltage	60V max.	屏蔽 Shielding	Unshielded
绝缘电阻 Insulation resistance	≥100MΩ	机械寿命 Mechanical life	> 100 mating cycles
接触电阻 Contact resistance	≤5mΩ	—	—
运行温度 Ambient temperature	-25 ~ +85℃	—	—
防护等级 IP Class	IP67	—	—

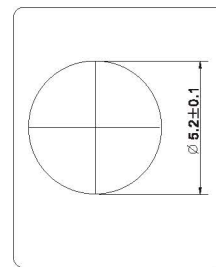
针数 Number of Pins		03 Pin	04 Pin
编码 Coding	编码 Coded	A-Coded	A-Coded
	正面图 Front View		
额定电流 Rated current	A.	1A	1A
额定电压 Rated voltage	V.	60V	60V
描述 Description	—	订单号 Order NO . SP-M5A-03P-MM-SF7001-00AH	订单号 Order NO . SP-M5A-04P-MM-SF7001-00AH

尺寸图 Dimension Figure


PCB 排布
PCB Layout



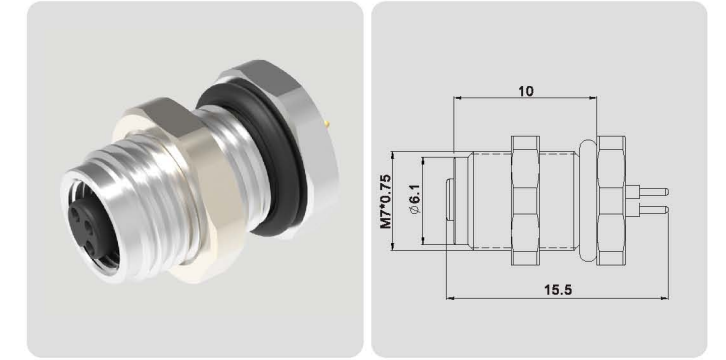
PCB 排布
PCB Layout



安装尺寸
Panel Cut-Out

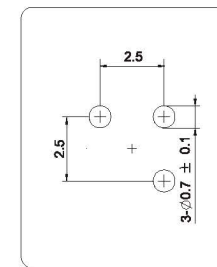
M5 x 0.5 孔式面板安装插座，板后安装，非屏蔽，PCB焊接。

M5 x 0.5 Female Panel Mount Receptacle, Rear Mounting, Unshielded, PCB Soldering.

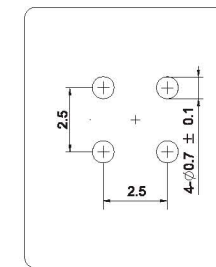

技术数据 Technical Data

标准 Standard	IEC 61076	端子载体材料 Contact carriers material	PA
系列 Series	M5, Female	端子材料 Contact material	Copper Alloy, Gold-plated
Pin针数量 Number of Pins	03,04 Pin	金属螺母 Metal of nut	Copper Alloy with Nickel Plated
额定电流 Rated Current	1A max.	胶圈 Seal	Silicone
额定电压 Rated voltage	60V max.	屏蔽 Shielding	Unshielded
绝缘电阻 Insulation resistance	≥100MΩ	机械寿命 Mechanical life	> 100 mating cycles
接触电阻 Contact resistance	≤5mΩ	—	—
运行温度 Ambient temperature	-25 ~ +85℃	—	—
防护等级 IP Class	IP67	—	—

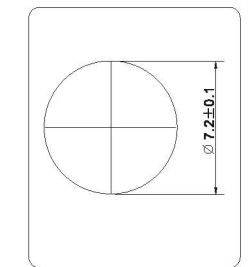
针数 Number of Pins		03 Pin	04 Pin
编码 Coding	编码 Coded	A-Coded	A-Coded
	正面图 Front View		
额定电流 Rated current	A.	1A	1A
额定电压 Rated voltage	V.	60V	60V
描述 Description	—	订单号 Order NO . SP-M5A-03P-FF-SF7002-00AH	订单号 Order NO . SP-M5A-04P-FF-SF7002-00AH

尺寸图 Dimension Figure


PCB 排布
PCB Layout



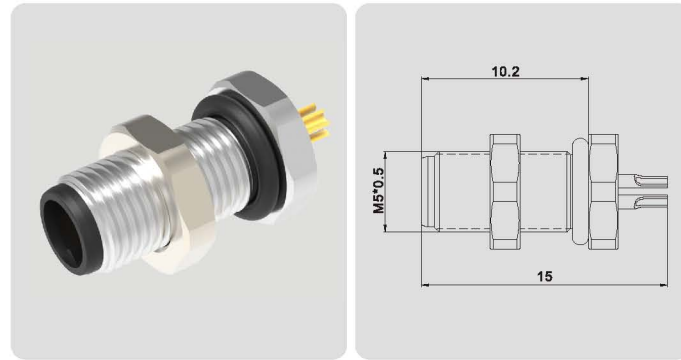
PCB 排布
PCB Layout



安装尺寸
Panel Cut-Out

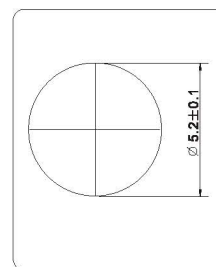
M5 x 0.5 针式面板安装插座，板后安装，非屏蔽，焊杯不带线。

M5x0.5 Male Panel Mount Receptacle, Rear Mounting, Unshielded, Soldering without wire.


技术数据 Technical Data

标准 Standard	IEC 61076	端子载体材料 Contact carriers material	PA
系列 Series	M5, Male	端子材料 Contact material	Copper Alloy, Gold-plated
Pin针数量 Number of Pins	03,04 Pin	金属螺母 Metal of nut	Copper Alloy with Nickel Plated
额定电流 Rated Current	1A max.	胶圈 Seal	Silicone
额定电压 Rated voltage	60V max.	屏蔽 Shielding	Unshielded
绝缘电阻 Insulation resistance	≥100MΩ	机械寿命 Mechanical life	> 100 mating cycles
接触电阻 Contact resistance	≤5mΩ	—	—
运行温度 Ambient temperature	-25 ~ +85℃	—	—
防护等级 IP Class	IP67	—	—

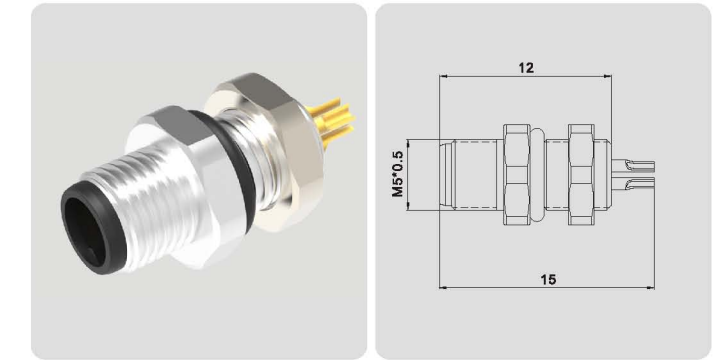
针数 Number of Pins		03 Pin	04 Pin
编码 Coding	编码 Coded	A-Coded	A-Coded
	正面图 Front View		
额定电流 Rated current	A.	1A	1A
额定电压 Rated voltage	V.	60V	60V
描述 Description		订单号 Order NO .	订单号 Order NO .
—		SD-M5A-03P-MM-SF7001-00AH	SD-M5A-04P-MM-SF7001-00AH

尺寸图 Dimension Figure


安装尺寸
Panel Cut-Out

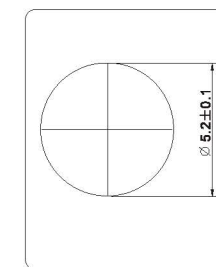
M5 x 0.5 针式面板安装插座，板前安装，非屏蔽，焊杯不带线。

M5x0.5 Male Panel Mount Receptacle, Front Mounting, Unshielded, Soldering without wire.


技术数据 Technical Data

标准 Standard	IEC 61076	端子载体材料 Contact carriers material	PA
系列 Series	M5, Male	端子材料 Contact material	Copper Alloy, Gold-plated
Pin针数量 Number of Pins	03,04 Pin	金属螺母 Metal of nut	Copper Alloy with Nickel Plated
额定电流 Rated Current	1A max.	胶圈 Seal	Silicone
额定电压 Rated voltage	60V max.	屏蔽 Shielding	Unshielded
绝缘电阻 Insulation resistance	≥100MΩ	机械寿命 Mechanical life	> 100 mating cycles
接触电阻 Contact resistance	≤5mΩ	—	—
运行温度 Ambient temperature	-25 ~ +85℃	—	—
防护等级 IP Class	IP67	—	—

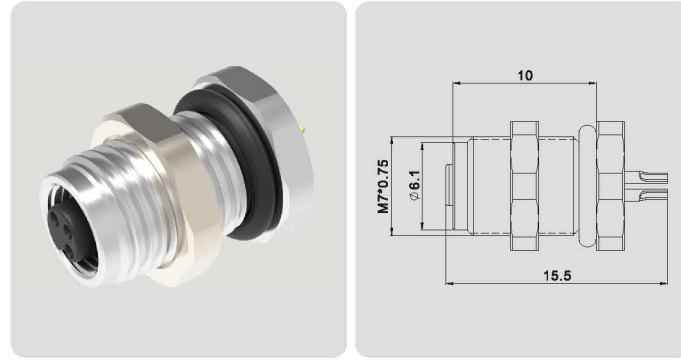
针数 Number of Pins		03 Pin	04 Pin
编码 Coding	编码 Coded	A-Coded	A-Coded
	正面图 Front View		
额定电流 Rated current	A.	1A	1A
额定电压 Rated voltage	V.	60V	60V
描述 Description		订单号 Order NO .	订单号 Order NO .
—		SD-M5A-03P-MM-SH7001-00AH	SD-M5A-04P-MM-SH7001-00AH

尺寸图 Dimension Figure


安装尺寸
Panel Cut-Out

M5 x 0.5 针式面板安装插座，板后安装，非屏蔽，焊杯不带线。

M5x0.5 Female Panel Mount Receptacle, Rear Mounting, Unshielded, Soldering without wire.

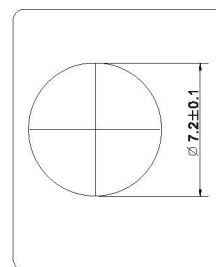


技术数据 Technical Data

标准 Standard	IEC 61076	端子载体材料 Contact carriers material	PA
系列 Series	M5, Female	端子材料 Contact material	Copper Alloy, Gold-plated
Pin针数量 Number of Pins	03,04 Pin	金属螺母 Metal of nut	Copper Alloy with Nickel Plated
额定电流 Rated Current	1A max.	胶圈 Seal	Silicone
额定电压 Rated voltage	60V max.	屏蔽 Shielding	Unshielded
绝缘电阻 Insulation resistance	≥100MΩ	机械寿命 Mechanical life	> 100 mating cycles
接触电阻 Contact resistance	≤5mΩ	—	—
运行温度 Ambient temperature	-25 ~ +85℃	—	—
防护等级 IP Class	IP67	—	—

针数 Number of Pins		03 Pin	04 Pin
编码 Coding	编码 Coded	A-Coded	A-Coded
	正面图 Front View		
额定电流 Rated current	A.	1A	1A
额定电压 Rated voltage	V.	60V	60V
描述 Description	—	订单号 Order NO . SD-M5A-03P-FF-SF7002-00AH	订单号 Order NO . SD-M5A-04P-FF-SF7002-00AH

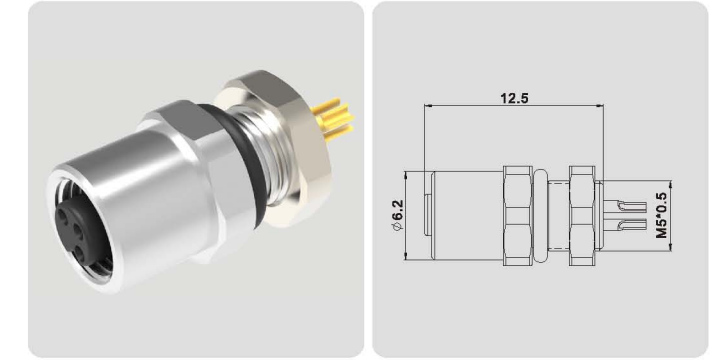
尺寸图 Dimension Figure



安装尺寸
Panel Cut-Out

M5 x 0.5 孔式面板安装插座，板前安装，非屏蔽，焊杯不带线。

M5 x 0.5 Female Panel Mount Receptacle, Front Mounting, Unshielded, Soldering without wire.

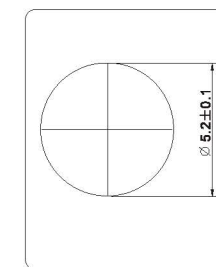


技术数据 Technical Data

标准 Standard	IEC 61076	端子载体材料 Contact carriers material	PA
系列 Series	M5, Female	端子材料 Contact material	Copper Alloy, Gold-plated
Pin针数量 Number of Pins	03,04 Pin	金属螺母 Metal of nut	Copper Alloy with Nickel Plated
额定电流 Rated Current	1A max.	胶圈 Seal	Silicone
额定电压 Rated voltage	60V max.	屏蔽 Shielding	Unshielded
绝缘电阻 Insulation resistance	≥100MΩ	机械寿命 Mechanical life	> 100 mating cycles
接触电阻 Contact resistance	≤5mΩ	—	—
运行温度 Ambient temperature	-25 ~ +85℃	—	—
防护等级 IP Class	IP67	—	—

针数 Number of Pins		03 Pin	04 Pin
编码 Coding	编码 Coded	A-Coded	A-Coded
	正面图 Front View		
额定电流 Rated current	A.	1A	1A
额定电压 Rated voltage	V.	60V	60V
描述 Description	—	订单号 Order NO . SD-M5A-03P-FF-SH7001-00AH	订单号 Order NO . SD-M5A-04P-FF-SH7001-00AH

尺寸图 Dimension Figure



安装尺寸
Panel Cut-Out



优势

- 密封性强, 防护性能可达IP67.
- 外形尺寸优化, 占用空间有限.
- 可选全方位屏蔽, 提供可靠的电磁保护.
- 可选接线方式, 适用于持续冲击、振动的应用环境.
- 适用于各种场合的连接技术.
- 可与市场同系列连接器互配.

Advantages

- Good sealing performance ,with IP class up to IP 67.
- Dimension optimization,save space.
- Shield is optional,provide reliable electromagnetic protection.
- Wire connection method is optional, suitable for continuous shock and vibration environment.
- Connection technology is suitable for all application field.
- Compatible with same series connectors on the market.

特点

- 线缆材质: PUR, PVC.
- 防护等级: IP67, IP68.
- 屏蔽可选.
- 接线方式可选.
- 符合IEC61076标准.

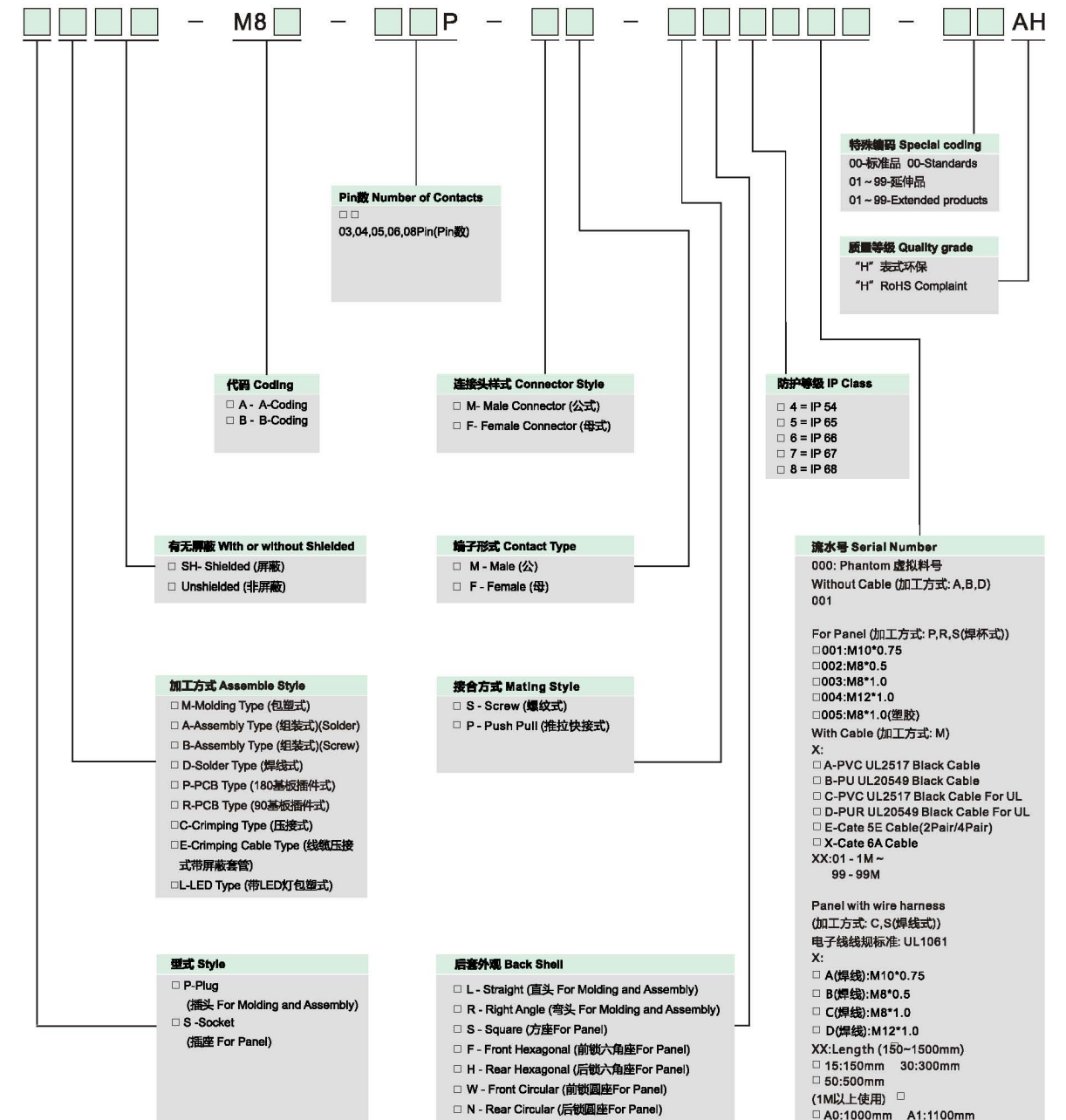
Features

- Cable material: PUR, PVC.
- IP-class: IP67, IP68.
- Shield is optional.
- Wire connection is optional.
- Compliance with IEC 61076 standard.



圆形连接器编码规则 Circular Connectors Part Number

圆形连接器成品品名编码规则 Circular Connectors Part Number Reference



例如:

1.M8孔式插头5Pin: PM-M8B-05P-FF-SL7A01-00A(H)

表示: 线端包塑, M8 B-Coding, 5Pin, 母座母Pin, 螺纹锁合, 直头, 防水等级IP67, PVC黑色外皮UL2517线缆, 长度1.0M, 标准品.

2.去掉“-”、“小数点”、“()”、“空格”即为成品料号, 如: PMM8B05PFFSL7A0100AH

For example:

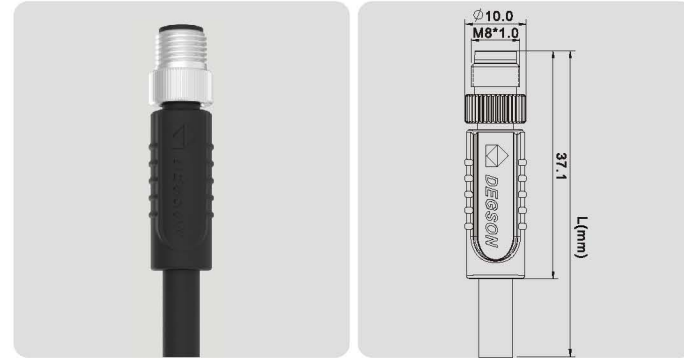
1. M8 female plug 5Pin: PM-M8B-05P-FF-SL7A01-00A(H)

Details: Plastic covered at the end of wire, M8 B-Coding, 5Pin, female socket female Pin, thread locked, straight head, IP67, PVC black kacket. Covered by UL2517 wire, the length of 1.0M, standard products.

2. Delete “-”, “decimal point”, “()”, “space”, then it's the finish product number, such as: PMM8B05PFFSL7A0100AH.

M8 x 1 针式成型电缆插头，单端，非屏蔽，直头。

M8 x 1 Male Overmolded with Cable plug, Single end, Unshielded, Straight.



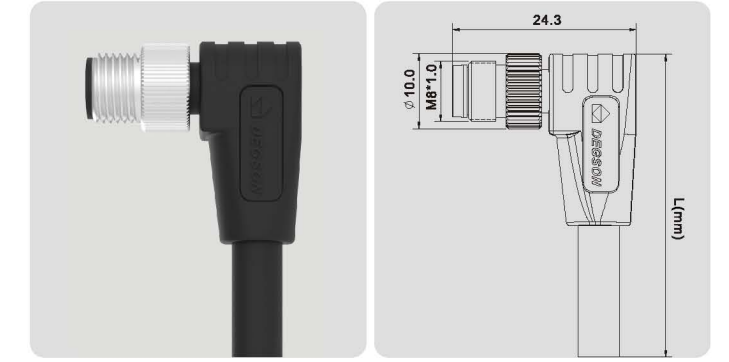
技术数据 Technical Data

标准 Standard	IEC 61076	端子载体材料 Contact carriers material	PU / PA
系列 Series	M8, Male, Straight	端子材料 Contact material	Copper Alloy, Gold-plated
Pin针数量 Number of Pins	03,04,05,06,08 Pin	金属螺母 Metal of nut	Copper Alloy with Nickel Plated
额定电流 Rated Current	3A max.	胶圈 Seal	Silicone
额定电压 Rated voltage	60V max.	电缆外皮材料 Cable jacket material	PUR / PVC
绝缘电阻 Insulation resistance	≥100M Ω	屏蔽 Shielding	Unshielded
接触电阻 Contact resistance	≤5m Ω	机械寿命 Mechanical life	> 100 mating cycles
运行温度 Ambient temperature	-25 ~ +80°C		
防护等级 IP Class	IP67		

Number of Pins		03 Pin	04 Pin	05 Pin	06 Pin	08 Pin
编码 Coding	编码 Coded	A-Coded	A-Coded	B-Coded	A-Coded	A-Coded
	正面图 Front View					
额定电流 Rated current	A.	3A	3A	3A	1.5A	1.5A
额定电压 Rated voltage	V.	60V	60V	30V	30V	30V
电线/电缆 Wire/Cable	线规 Wire gauge	24AWG	24AWG	24AWG	26AWG	26AWG
	横截面 Cross section	0.25mm ²	0.25mm ²	0.25mm ²	0.14mm ²	0.14mm ²
	接线表 Wiring list	1.BN 3.BU 4.BK	1.BN 2.WH 3.BU 4.BK	1.BN 2.WH 3.BU 4.BK 5.GY	1.BN 2.WH 3.BU 4.BK 5.GY 6.PK	1.WH 2.BN 3.GN 4.YE 5.GY 6.PK 7.BU 8.RD
描述 Description	订单号 Order NO.	订单号 Order NO.	订单号 Order NO.	订单号 Order NO.	订单号 Order NO.	
PVC	1m	PM-M8A-03P-MM-SL7A01-00AH	PM-M8A-04P-MM-SL7A01-00AH	PM-M8B-05P-MM-SL7A01-00AH	PM-M8A-06P-MM-SL7A01-00AH	PM-M8A-08P-MM-SL7A01-00AH
	3m	PM-M8A-03P-MM-SL7A03-00AH	PM-M8A-04P-MM-SL7A03-00AH	PM-M8B-05P-MM-SL7A03-00AH	PM-M8A-06P-MM-SL7A03-00AH	PM-M8A-08P-MM-SL7A03-00AH
	5m	PM-M8A-03P-MM-SL7A05-00AH	PM-M8A-04P-MM-SL7A05-00AH	PM-M8B-05P-MM-SL7A05-00AH	PM-M8A-06P-MM-SL7A05-00AH	PM-M8A-08P-MM-SL7A05-00AH
	定制化 Customized
PUR	1m	PM-M8A-03P-MM-SL7B01-00AH	PM-M8A-04P-MM-SL7B01-00AH	PM-M8B-05P-MM-SL7B01-00AH	PM-M8A-06P-MM-SL7B01-00AH	PM-M8A-08P-MM-SL7B01-00AH
	3m	PM-M8A-03P-MM-SL7B03-00AH	PM-M8A-04P-MM-SL7B03-00AH	PM-M8B-05P-MM-SL7B03-00AH	PM-M8A-06P-MM-SL7B03-00AH	PM-M8A-08P-MM-SL7B03-00AH
	5m	PM-M8A-03P-MM-SL7B05-00AH	PM-M8A-04P-MM-SL7B05-00AH	PM-M8B-05P-MM-SL7B05-00AH	PM-M8A-06P-MM-SL7B05-00AH	PM-M8A-08P-MM-SL7B05-00AH
	定制化 Customized
PVC	1m	PM-M8A-03P-MM-SL7C01-00AH	PM-M8A-04P-MM-SL7C01-00AH	PM-M8B-05P-MM-SL7C01-00AH	PM-M8A-06P-MM-SL7C01-00AH	PM-M8A-08P-MM-SL7C01-00AH
	3m	PM-M8A-03P-MM-SL7C03-00AH	PM-M8A-04P-MM-SL7C03-00AH	PM-M8B-05P-MM-SL7C03-00AH	PM-M8A-06P-MM-SL7C03-00AH	PM-M8A-08P-MM-SL7C03-00AH
	5m	PM-M8A-03P-MM-SL7C05-00AH	PM-M8A-04P-MM-SL7C05-00AH	PM-M8B-05P-MM-SL7C05-00AH	PM-M8A-06P-MM-SL7C05-00AH	PM-M8A-08P-MM-SL7C05-00AH
	定制化 Customized
PUR	1m	PM-M8A-03P-MM-SL7D01-00AH	PM-M8A-04P-MM-SL7D01-00AH	PM-M8B-05P-MM-SL7D01-00AH	PM-M8A-06P-MM-SL7D01-00AH	PM-M8A-08P-MM-SL7D01-00AH
	3m	PM-M8A-03P-MM-SL7D03-00AH	PM-M8A-04P-MM-SL7D03-00AH	PM-M8B-05P-MM-SL7D03-00AH	PM-M8A-06P-MM-SL7D03-00AH	PM-M8A-08P-MM-SL7D03-00AH
	5m	PM-M8A-03P-MM-SL7D05-00AH	PM-M8A-04P-MM-SL7D05-00AH	PM-M8B-05P-MM-SL7D05-00AH	PM-M8A-06P-MM-SL7D05-00AH	PM-M8A-08P-MM-SL7D05-00AH
	定制化 Customized

M8 x 1 针式成型电缆插头，单端，非屏蔽，弯头。

M8 x 1 Male Overmolded with Cable plug, Single end, Unshielded, Angled.



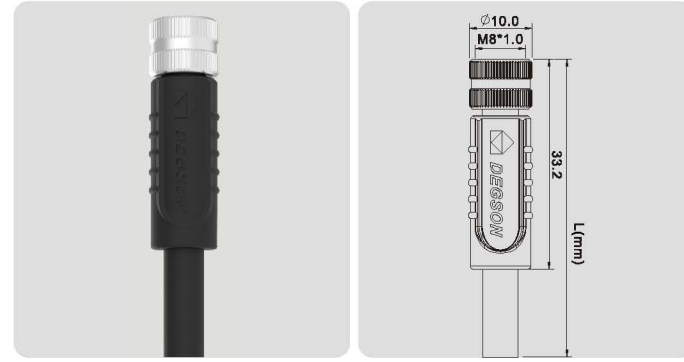
技术数据 Technical Data

标准 Standard	IEC 61076	端子载体材料 Contact carriers material	PU / PA
系列 Series	M8, Male, Angled	端子材料 Contact material	Copper Alloy, Gold-plated
Pin针数量 Number of Pins	03,04,05,06,08 Pin	金属螺母 Metal of nut	Copper Alloy with Nickel Plated
额定电流 Rated Current	3A max.	胶圈 Seal	Silicone
额定电压 Rated voltage	60V max.	电缆外皮材料 Cable jacket material	PUR / PVC
绝缘电阻 Insulation resistance	≥100M Ω	屏蔽 Shielding	Unshielded
接触电阻 Contact resistance	≤5m Ω	机械寿命 Mechanical life	> 100 mating cycles
运行温度 Ambient temperature	-25 ~ +80°C		
防护等级 IP Class	IP67		

Number of Pins		03 Pin	04 Pin	05 Pin	06 Pin	08 Pin
编码 Coding	编码 Coded	A-Coded	A-Coded	B-Coded	A-Coded	A-Coded
	正面图 Front View					
额定电流 Rated current	A.	4A	3A	3A	1.5A	1.5A
额定电压 Rated voltage	V.	60V	60V	30V	30V	30V
电线/电缆 Wire/Cable	线规 Wire gauge	24AWG	24AWG	24AWG	26AWG	26AWG
	横截面 Cross section	0.25mm ²	0.25mm ²	0.25mm ²	0.14mm ²	0.14mm ²
	接线表 Wiring list	1.BN 3.BU 4.BK	1.BN 2.WH 3.BU 4.BK	1.BN 2.WH 3.BU 4.BK 5.GY	1.BN 2.WH 3.BU 4.BK 5.GY 6.PK	1.WH 2.BN 3.GN 4.YE 5.GY 6.PK 7.BU 8.RD
描述 Description	订单号 Order NO.	订单号 Order NO.	订单号 Order NO.	订单号 Order NO.	订单号 Order NO.	
PVC	1m	PM-M8A-03P-MM-SR7A01-00AH	PM-M8A-04P-MM-SR7A01-00AH	PM-M8B-05P-MM-SR7A01-00AH	PM-M8A-06P-MM-SR7A01-00AH	PM-M8A-08P-MM-SR7A01-00AH
	3m	PM-M8A-03P-MM-SR7A03-00AH	PM-M8A-04P-MM-SR7A03-00AH	PM-M8B-05P-MM-SR7A03-00AH	PM-M8A-06P-MM-SR7A03-00AH	PM-M8A-08P-MM-SR7A03-00AH
	5m	PM-M8A-03P-MM-SR7A05-00AH	PM-M8A-04P-MM-SR7A05-00AH	PM-M8B-05P-MM-SR7A05-00AH	PM-M8A-06P-MM-SR7A05-00AH	PM-M8A-08P-MM-SR7A05-00AH
	定制化 Customized
PUR	1m	PM-M8A-03P-MM-SR7B01-00AH	PM-M8A-04P-MM-SR7B01-00AH	PM-M8B-05P-MM-SR7B01-00AH	PM-M8A-06P-MM-SR7B01-00AH	PM-M8A-08P-MM-SR7B01-00AH
	3m	PM-M8A-03P-MM-SR7B03-00AH	PM-M8A-04P-MM-SR7B03-00AH	PM-M8B-05P-MM-SR7B03-00AH	PM-M8A-06P-MM-SR7B03-00AH	PM-M8A-08P-MM-SR7B03-00AH
	5m	PM-M8A-03P-MM-SR7B05-00AH	PM-M8A-04P-MM-SR7B05-00AH	PM-M8B-05P-MM-SR7B05-00AH	PM-M8A-06P-MM-SR7B05-00AH	PM-M8A-08P-MM-SR7B05-00AH
	定制化 Customized
PVC	1m	PM-M8A-03P-MM-SR7C01-00AH	PM-M8A-04P-MM-SR7C01-00AH	PM-M8B-05P-MM-SR7C01-00AH	PM-M8A-06P-MM-SR7C01-00AH	PM-M8A-08P-MM-SR7C01-00AH
	3m	PM-M8A-03P-MM-SR7C03-00AH	PM-M8A-04P-MM-SR7C03-00AH	PM-M8B-05P-MM-SR7C03-00AH	PM-M8A-06P-MM-SR7C03-00AH	PM-M8A-08P-MM-SR7C03-00AH
	5m	PM-M8A-03P-MM-SR7C05-00AH	PM-M8A-04P-MM-SR7C05-00AH	PM-M8B-05P-MM-SR7C05-00AH	PM-M8A-06P-MM-SR7C05-00AH	PM-M8A-08P-MM-SR7C05-00AH
	定制化 Customized
PUR	1m	PM-M8A-03P-MM-SR7D01-00AH	PM-M8A-04P-MM-SR7D01-00AH	PM-M8B-05P-MM-SR7D01-00AH	PM-M8A-06P-MM-SR7D01-00AH	PM-M8A-08P-MM-SR7D01-00AH
	3m	PM-M8A-03P-MM-SR7D03-00AH	PM-M8A-04P-MM-SR7D03-00AH	PM-M8B-05P-MM-SR7D03-00AH	PM-M8A-06P-MM-SR7D03-00AH	PM-M8A-08P-MM-SR7D03-00AH
	5m	PM-M8A-03P-MM-SR7D05-00AH	PM-M8A-04P-MM-SR7D05-00AH	PM-M8B-05P-MM-SR7D05-00AH	PM-M8A-06P-MM-SR7D05-00AH	PM-M8A-08P-MM-SR7D05-00AH
	定制化 Customized

M8 x 1 孔式成型电缆插头，单端，非屏蔽，直头。

M8 x 1 Female Overmolded with Cable plug, Single end, Unshielded, Straight.



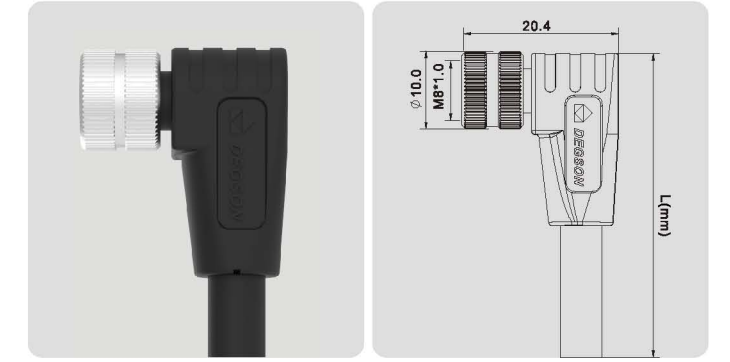
技术数据 Technical Data

标准 Standard	IEC 61076	端子载体材料 Contact carriers material	PU / PA
系列 Series	M8, Female, Straight	端子材料 Contact material	Copper Alloy, Gold-plated
Pin针数量 Number of Pins	03,04,05,06,08 Pin	金属螺母 Metal of nut	Copper Alloy with Nickel Plated
额定电流 Rated Current	3A max.	胶圈 Seal	Silicone
额定电压 Rated voltage	60V max.	电缆外皮材料 Cable jacket material	PUR / PVC
绝缘电阻 Insulation resistance	≥100MΩ	屏蔽 Shielding	Unshielded
接触电阻 Contact resistance	≤5mΩ	机械寿命 Mechanical life	> 100 mating cycles
运行温度 Ambient temperature	-25 ~ +80°C	—	—
防护等级 IP Class	IP67	—	—

针数 Number of Pins		03 Pin	04 Pin	05 Pin	06 Pin	08 Pin
编码 Coding	编码 Coded	A-Coded	A-Coded	B-Coded	A-Coded	A-Coded
	正面图 Front View					
额定电流 Rated current	A.	3A	3A	3A	1.5A	1.5A
额定电压 Rated voltage	V.	60V	60V	30V	30V	30V
电线电缆 Wire/Cable	线规 Wire gauge	24AWG	24AWG	24AWG	26AWG	26AWG
	横截面 Cross section	0.25mm ²	0.25mm ²	0.25mm ²	0.14mm ²	0.14mm ²
	接线表 Wiring list	1.BN 3.BU 4.BK	1.BN 2.WH 4.BK	1.BN 2.WH 3.BU 4.BK 5.GY	1.BN 2.WH 3.BU 4.BK 5.GY 6.PK	1.WH 2.BN 3.GN 4.YE 5.GY 6.PK 7.BU 8.RD
描述 Description	订单号 Order NO.	订单号 Order NO.	订单号 Order NO.	订单号 Order NO.	订单号 Order NO.	
PVC	1m	PM-M8A-03P-FF-SL7A01-00AH	PM-M8A-04P-FF-SL7A01-00AH	PM-M8B-05P-FF-SL7A01-00AH	PM-M8A-06P-FF-SL7A01-00AH	PM-M8A-08P-FF-SL7A01-00AH
	3m	PM-M8A-03P-FF-SL7A03-00AH	PM-M8A-04P-FF-SL7A03-00AH	PM-M8B-05P-FF-SL7A03-00AH	PM-M8A-06P-FF-SL7A03-00AH	PM-M8A-08P-FF-SL7A03-00AH
	5m	PM-M8A-03P-FF-SL7A05-00AH	PM-M8A-04P-FF-SL7A05-00AH	PM-M8B-05P-FF-SL7A05-00AH	PM-M8A-06P-FF-SL7A05-00AH	PM-M8A-08P-FF-SL7A05-00AH
	定制化 Customized
PUR	1m	PM-M8A-03P-FF-SL7B01-00AH	PM-M8A-04P-FF-SL7B01-00AH	PM-M8B-05P-FF-SL7B01-00AH	PM-M8A-06P-FF-SL7B01-00AH	PM-M8A-08P-FF-SL7B01-00AH
	3m	PM-M8A-03P-FF-SL7B03-00AH	PM-M8A-04P-FF-SL7B03-00AH	PM-M8B-05P-FF-SL7B03-00AH	PM-M8A-06P-FF-SL7B03-00AH	PM-M8A-08P-FF-SL7B03-00AH
	5m	PM-M8A-03P-FF-SL7B05-00AH	PM-M8A-04P-FF-SL7B05-00AH	PM-M8B-05P-FF-SL7B05-00AH	PM-M8A-06P-FF-SL7B05-00AH	PM-M8A-08P-FF-SL7B05-00AH
	定制化 Customized
PVC	1m	PM-M8A-03P-FF-SL7C01-00AH	PM-M8A-04P-FF-SL7C01-00AH	PM-M8B-05P-FF-SL7C01-00AH	PM-M8A-06P-FF-SL7C01-00AH	PM-M8A-08P-FF-SL7A01-00AH
	3m	PM-M8A-03P-FF-SL7C03-00AH	PM-M8A-04P-FF-SL7C03-00AH	PM-M8B-05P-FF-SL7C03-00AH	PM-M8A-06P-FF-SL7C03-00AH	PM-M8A-08P-FF-SL7A03-00AH
	5m	PM-M8A-03P-FF-SL7C05-00AH	PM-M8A-04P-FF-SL7C05-00AH	PM-M8B-05P-FF-SL7C05-00AH	PM-M8A-06P-FF-SL7C05-00AH	PM-M8A-08P-FF-SL7A05-00AH
	定制化 Customized
PUR	1m	PM-M8A-03P-FF-SL7D01-00AH	PM-M8A-04P-FF-SL7D01-00AH	PM-M8B-05P-FF-SL7D01-00AH	PM-M8A-06P-FF-SL7D01-00AH	PM-M8A-08P-FF-SL7D01-00AH
	3m	PM-M8A-03P-FF-SL7D03-00AH	PM-M8A-04P-FF-SL7D03-00AH	PM-M8B-05P-FF-SL7D03-00AH	PM-M8A-06P-FF-SL7D03-00AH	PM-M8A-08P-FF-SL7D03-00AH
	5m	PM-M8A-03P-FF-SL7D05-00AH	PM-M8A-04P-FF-SL7D05-00AH	PM-M8B-05P-FF-SL7D05-00AH	PM-M8A-06P-FF-SL7D05-00AH	PM-M8A-08P-FF-SL7D05-00AH
	定制化 Customized

M8 x 1 孔式成型电缆插头，单端，非屏蔽，弯头。

M8 x 1 Female Overmolded with Cable plug, Single end, Unshielded, Angled.



技术数据 Technical Data

标准 Standard	IEC 61076	端子载体材料 Contact carriers material	PU / PA
系列 Series	M8, Female, Angled	端子材料 Contact material	Copper Alloy, Gold-plated
Pin针数量 Number of Pins	03,04,05,06,08 Pin	金属螺母 Metal of nut	Copper Alloy with Nickel Plated
额定电流 Rated Current	3A max.	胶圈 Seal	Silicone
额定电压 Rated voltage	60V max.	电缆外皮材料 Cable jacket material	PUR / PVC
绝缘电阻 Insulation resistance	≥100MΩ	屏蔽 Shielding	Unshielded
接触电阻 Contact resistance	≤5mΩ	机械寿命 Mechanical life	> 100 mating cycles
运行温度 Ambient temperature	-25 ~ +80°C	—	—
防护等级 IP Class	IP67	—	—

针数 Number of Pins		03 Pin	04 Pin	05 Pin	06 Pin	08 Pin
编码 Coding	编码 Coded	A-Coded	A-Coded	B-Coded	A-Coded	A-Coded
	正面图 Front View					
额定电流 Rated current	A.	3A	3A	3A	1.5A	1.5A
额定电压 Rated voltage	V.	60V	60V	30V	30V	30V
电线电缆 Wire/Cable	线规 Wire gauge	24AWG	24AWG	24AWG	26AWG	26AWG
	横截面 Cross section	0.25mm ²	0.25mm ²	0.25mm ²	0.14mm ²	0.14mm ²
	接线表 Wiring list	1.BN 3.BU 4.BK	1.BN 2.WH 3.BU 4.BK	1.BN 2.WH 3.BU 4.BK 5.GY	1.BN 2.WH 3.BU 4.BK 5.GY 6.PK	1.WH 2.BN 3.GN 4.YE 5.GY 6.PK 7.BU 8.RD
描述 Description	订单号 Order NO.	订单号 Order NO.	订单号 Order NO.	订单号 Order NO.	订单号 Order NO.	
PVC	1m	PM-M8A-03P-FF-SR7A01-00AH	PM-M8A-04P-FF-SR7A01-00AH	PM-M8B-05P-FF-SR7A01-00AH	PM-M8A-06P-FF-SR7A01-00AH	PM-M8A-08P-FF-SR7A01-00AH
	3m	PM-M8A-03P-FF-SR7A03-00AH	PM-M8A-04P-FF-SR7A03-00AH	PM-M8B-05P-FF-SR7A03-00AH	PM-M8A-06P-FF-SR7A03-00AH	PM-M8A-08P-FF-SR7A03-00AH
	5m	PM-M8A-03P-FF-SR7A05-00AH	PM-M8A-04P-FF-SR7A05-00AH	PM-M8B-05P-FF-SR7A05-00AH	PM-M8A-06P-FF-SR7A05-00AH	PM-M8A-08P-FF-SR7A05-00AH
	定制化 Customized
PUR	1m	PM-M8A-03P-FF-SR7B01-00AH	PM-M8A-04P-FF-SR7B01-00AH	PM-M8B-05P-FF-SR7B01-00AH	PM-M8A-06P-FF-SR7B01-00AH	PM-M8A-08P-FF-SR7B01-00AH
	3m	PM-M8A-03P-FF-SR7B03-00AH	PM-M8A-04P-FF-SR7B03-00AH	PM-M8B-05P-FF-SR7B03-00AH	PM-M8A-06P-FF-SR7B03-00AH	PM-M8A-08P-FF-SR7B03-00AH
	5m	PM-M8A-03P-FF-SR7B05-00AH	PM-M8A-04P-FF-SR7B05-00AH	PM-M8B-05P-FF-SR7B05-00AH	PM-M8A-06P-FF-SR7B05-00AH	PM-M8A-08P-FF-SR7B05-00AH
	定制化 Customized
PVC	1m	PM-M8A-03P-FF-SR7C01-00AH	PM-M8A-04P-FF-SR7C01-00AH	PM-M8B-05P-FF-SR7C01-00AH	PM-M8A-06P-FF-SR7C01-00AH	PM-M8A-08P-FF-SR7C01-00AH
	3m	PM-M8A-03P-FF-SR7C03-00AH	PM-M8A-04P-FF-SR7C03-00AH	PM-M8B-05P-FF-SR7C03-00AH	PM-M8A-06P-FF-SR7C03-00AH	PM-M8A-08P-FF-SR7C03-00AH
	5m	PM-M8A-03P-FF-SR7C05-00AH	PM-M8A-04P-FF-SR7C05-00AH	PM-M8B-05P-FF-SR7C05-00AH	PM-M8A-06P-FF-SR7C05-00AH	PM-M8A-08P-FF-SR7C05-00AH
	定制化 Customized
PUR	1m	PM-M8A-03P-FF-SR7D01-00AH	PM-M8A-04P-FF-SR7D01-00AH	PM-M8B-05P-FF-SR7D01-00AH	PM-M8A-06P-FF-SR7D01-00AH	PM-M8A-08P-FF-SR7D01-00AH
	3m	PM-M8A-03P-FF-SR7D03-00AH	PM-M8A-04P-FF-SR7D03-00AH	PM-M8B-05P-FF-SR7D03-00AH	PM-M8A-06P-FF-SR7D03-00AH	PM-M8A-08P-FF-SR7D03-00AH
	5m	PM-M8A-03P-FF-SR7D05-00AH	PM-M8A-04P-FF-SR7D05-00AH	PM-M8B-05P-FF-SR7D05-00AH	PM-M8A-06P-FF-SR7D05-00AH	PM-M8A-08P-FF-SR7D05-00AH
	定制化 Customized

M8 x 1 针式成型电缆插头，单端，屏蔽，直头。

M8 x 1 Male Overmolded with Cable plug, Single end, Shielded, Straight.



技术数据 Technical Data

标准 Standard	IEC 61076	端子载体材料 Contact carriers material	PA
系列 Series	M8, Male, Straight	端子材料 Contact material	Copper Alloy, Gold-plated
Pin针数量 Number of Pins	03,04,05,06,08 Pin	金属螺母 Metal of nut	Copper Alloy with Nickel Plated
额定电流 Rated Current	3A max.	胶圈 Seal	Silicone
额定电压 Rated voltage	60V max.	电缆外皮材料 Cable jacket material	PUR / PVC
绝缘电阻 Insulation resistance	≥100MΩ	屏蔽 Shielding	Shielded
接触电阻 Contact resistance	≤5mΩ	机械寿命 Mechanical life	> 100 mating cycles
运行温度 Ambient temperature	-25 ~ +80°C	—	—
防护等级 IP Class	IP67	—	—

针数 Number of Pins		03 Pin	04 Pin	05 Pin	06 Pin	08 Pin
编码 Coding	编码 Coded	A-Coded	A-Coded	B-Coded	A-Coded	A-Coded
	正面图 Front View					
额定电流 Rated current	A.	3A	3A	3A	1.5A	1.5A
额定电压 Rated voltage	V.	60V	60V	30V	30V	30V
电线电缆 Wire/Cable	线规 Wire gauge	24AWG	24AWG	24AWG	26AWG	26AWG
	横截面 Cross section	0.25mm ²	0.25mm ²	0.25mm ²	0.14mm ²	0.14mm ²
	接线表 Wiring list	1.BN 3.BU 4.BK	1.BN 2.WH 3.BU 4.BK	1.BN 2.WH 3.BU 4.BK 5.GY	1.BN 2.WH 3.BU 4.BK 5.GY 6.PK	1.WH 2.BN 3.GN 4.YE 5.GY 6.PK 7.BU 8.RD
描述 Description	订单号 Order NO.	订单号 Order NO.	订单号 Order NO.	订单号 Order NO.	订单号 Order NO.	订单号 Order NO.
PVC	1m	PMSH-M8A-03P-MM-SL7C01-00AH	PMSH-M8A-04P-MM-SL7C01-00AH	PMSH-M8B-05P-MM-SL7C01-00AH	PMSH-M8A-06P-MM-SL7C01-00AH	PMSH-M8A-08P-MM-SL7C01-00AH
	3m	PMSH-M8A-03P-MM-SL7C03-00AH	PMSH-M8A-04P-MM-SL7C03-00AH	PMSH-M8B-05P-MM-SL7C03-00AH	PMSH-M8A-06P-MM-SL7C03-00AH	PMSH-M8A-08P-MM-SL7C03-00AH
	5m	PMSH-M8A-03P-MM-SL7C05-00AH	PMSH-M8A-04P-MM-SL7C05-00AH	PMSH-M8B-05P-MM-SL7C05-00AH	PMSH-M8A-06P-MM-SL7C05-00AH	PMSH-M8A-08P-MM-SL7C05-00AH
	定制化 Customized
	定制长度 Customized Length
PUR	1m	PMSH-M8A-03P-MM-SL7D01-00AH	PMSH-M8A-04P-MM-SL7D01-00AH	PMSH-M8B-05P-MM-SL7D01-00AH	PMSH-M8A-06P-MM-SL7D01-00AH	PMSH-M8A-08P-MM-SL7D01-00AH
	3m	PMSH-M8A-03P-MM-SL7D03-00AH	PMSH-M8A-04P-MM-SL7D03-00AH	PMSH-M8B-05P-MM-SL7D03-00AH	PMSH-M8A-06P-MM-SL7D03-00AH	PMSH-M8A-08P-MM-SL7D03-00AH
	5m	PMSH-M8A-03P-MM-SL7D05-00AH	PMSH-M8A-04P-MM-SL7D05-00AH	PMSH-M8B-05P-MM-SL7D05-00AH	PMSH-M8A-06P-MM-SL7D05-00AH	PMSH-M8A-08P-MM-SL7D05-00AH
	定制化 Customized
	定制长度 Customized Length

M8 x 1 针式成型电缆插头，单端，屏蔽，弯头。

M8 x 1 Male Overmolded with Cable plug, Single end, Shielded, Angled.



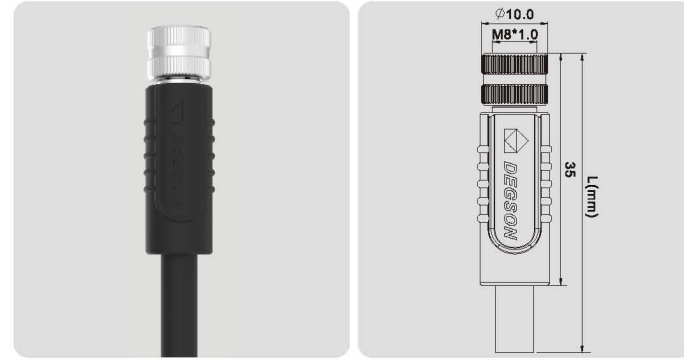
技术数据 Technical Data

标准 Standard	IEC 61076	端子载体材料 Contact carriers material	PA
系列 Series	M8, Male, Angled	端子材料 Contact material	Copper Alloy, Gold-plated
Pin针数量 Number of Pins	03,04,05,06,08 Pin	金属螺母 Metal of nut	Copper Alloy with Nickel Plated
额定电流 Rated Current	3A max.	胶圈 Seal	Silicone
额定电压 Rated voltage	60V max.	电缆外皮材料 Cable jacket material	PUR / PVC
绝缘电阻 Insulation resistance	≥100MΩ	屏蔽 Shielding	Shielded
接触电阻 Contact resistance	≤5mΩ	机械寿命 Mechanical life	> 100 mating cycles
运行温度 Ambient temperature	-25 ~ +80°C	—	—
防护等级 IP Class	IP67	—	—

针数 Number of Pins		03 Pin	04 Pin	05 Pin	06 Pin	08 Pin
编码 Coding	编码 Coded	A-Coded	A-Coded	B-Coded	A-Coded	A-Coded
	正面图 Front View					
额定电流 Rated current	A.	3A	3A	3A	1.5A	1.5A
额定电压 Rated voltage	V.	60V	60V	30V	30V	30V
电线电缆 Wire/Cable	线规 Wire gauge	24AWG	24AWG	24AWG	26AWG	26AWG
	横截面 Cross section	0.25mm ²	0.25mm ²	0.25mm ²	0.14mm ²	0.14mm ²
	接线表 Wiring list	1.BN 3.BU 4.BK	1.BN 2.WH 3.BU 4.BK	1.BN 2.WH 3.BU 4.BK 5.GY	1.BN 2.WH 3.BU 4.BK 5.GY 6.PK	1.WH 2.BN 3.GN 4.YE 5.GY 6.PK 7.BU 8.RD
描述 Description	订单号 Order NO.	订单号 Order NO.	订单号 Order NO.	订单号 Order NO.	订单号 Order NO.	订单号 Order NO.
PVC	1m	PMSH-M8A-03P-MM-SR7C01-00AH	PMSH-M8A-04P-MM-SR7C01-00AH	PMSH-M8B-05P-MM-SR7C01-00AH	PMSH-M8A-06P-MM-SR7C01-00AH	PMSH-M8A-08P-MM-SR7C01-00AH
	3m	PMSH-M8A-03P-MM-SR7C03-00AH	PMSH-M8A-04P-MM-SR7C03-00AH	PMSH-M8B-05P-MM-SR7C03-00AH	PMSH-M8A-06P-MM-SR7C03-00AH	PMSH-M8A-08P-MM-SR7C03-00AH
	5m	PMSH-M8A-03P-MM-SR7C05-00AH	PMSH-M8A-04P-MM-SR7C05-00AH	PMSH-M8B-05P-MM-SR7C05-00AH	PMSH-M8A-06P-MM-SR7C05-00AH	PMSH-M8A-08P-MM-SR7C05-00AH
	定制化 Customized
	定制长度 Customized Length
PUR	1m	PMSH-M8A-03P-MM-SR7D01-00AH	PMSH-M8A-04P-MM-SR7D01-00AH	PMSH-M8B-05P-MM-SR7D01-00AH	PMSH-M8A-06P-MM-SR7D01-00AH	PMSH-M8A-08P-MM-SR7D01-00AH
	3m	PMSH-M8A-03P-MM-SR7D03-00AH	PMSH-M8A-04P-MM-SR7D03-00AH	PMSH-M8B-05P-MM-SR7D03-00AH	PMSH-M8A-06P-MM-SR7D03-00AH	PMSH-M8A-08P-MM-SR7D03-00AH
	5m	PMSH-M8A-03P-MM-SR7D05-00AH	PMSH-M8A-04P-MM-SR7D05-00AH	PMSH-M8B-05P-MM-SR7D05-00AH	PMSH-M8A-06P-MM-SR7D05-00AH	PMSH-M8A-08P-MM-SR7D05-00AH
	定制化 Customized
	定制长度 Customized Length

M8 x 1 孔式成型电缆插头，单端，屏蔽，直头。

M8 x 1 Female Overmolded with Cable plug, Single end, shielded, Straight.



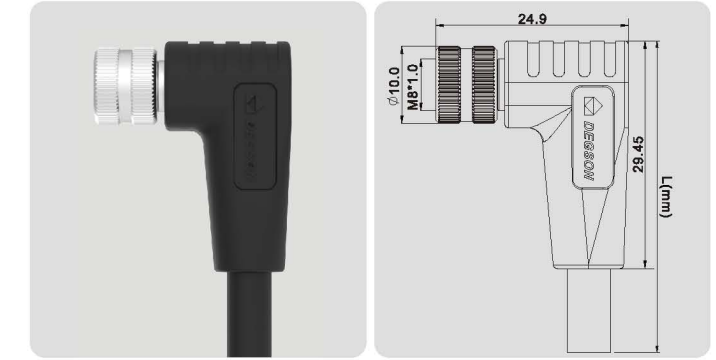
技术数据 Technical Data

标准 Standard	IEC 61076	端子载体材料 Contact carriers material	PA
系列 Series	M8, Female, Straight	端子材料 Contact material	Copper Alloy, Gold-plated
Pin针数量 Number of Pins	03,04,05,06,08 Pin	金属螺母 Metal of nut	Copper Alloy with Nickel Plated
额定电流 Rated Current	3A max.	胶圈 Seal	Silicone
额定电压 Rated voltage	60V max.	电缆外皮材料 Cable jacket material	PUR / PVC
绝缘电阻 Insulation resistance	≥100M Ω	屏蔽 Shielding	Shielded
接触电阻 Contact resistance	≤5m Ω	机械寿命 Mechanical life	> 100 mating cycles
运行温度 Ambient temperature	-25 ~ +80°C	—	—
防护等级 IP Class	IP67	—	—

针数 Number of Pins		03 Pin	04 Pin	05 Pin	06 Pin	08 Pin
编码 Coding	编码 Coded	A-Coded	A-Coded	B-Coded	A-Coded	A-Coded
	正面图 Front View					
额定电流 Rated current	A.	3A	3A	3A	1.5A	1.5A
额定电压 Rated voltage	V.	60V	60V	30V	30V	30V
电线电缆 Wire/Cable	线规 Wire gauge	24AWG	24AWG	24AWG	26AWG	26AWG
	横截面 Cross section	0.25mm ²	0.25mm ²	0.25mm ²	0.14mm ²	0.14mm ²
	接线表 Wiring list	1.BN 3.BU 4.BK	1.BN 2.WH 3.BU 4.BK	1.BN 2.WH 3.BU 4.BK 5.GY	1.BN 2.WH 3.BU 4.BK 5.GY 6.PK	1.WH 2.BN 3.GN 4.YE 5.GY 6.PK 7.BU 8.RD
描述 Description	订单号 Order NO.	订单号 Order NO.	订单号 Order NO.	订单号 Order NO.	订单号 Order NO.	订单号 Order NO.
PVC	1m	PMSH-M8A-03P-FF-SL7C01-00AH	PMSH-M8A-04P-FF-SL7C01-00AH	PMSH-M8B-05P-FF-SL7C01-00AH	PMSH-M8A-06P-FF-SL7C01-00AH	PMSH-M8A-08P-FF-SL7C01-00AH
	3m	PMSH-M8A-03P-FF-SL7C03-00AH	PMSH-M8A-04P-FF-SL7C03-00AH	PMSH-M8B-05P-FF-SL7C03-00AH	PMSH-M8A-06P-FF-SL7C03-00AH	PMSH-M8A-08P-FF-SL7C03-00AH
	5m	PMSH-M8A-03P-FF-SL7C05-00AH	PMSH-M8A-04P-FF-SL7C05-00AH	PMSH-M8B-05P-FF-SL7C05-00AH	PMSH-M8A-06P-FF-SL7C05-00AH	PMSH-M8A-08P-FF-SL7C05-00AH
	定制化 Customized
	定制长度 Customized
PUR	1m	PMSH-M8A-03P-FF-SL7D01-00AH	PMSH-M8A-04P-FF-SL7D01-00AH	PMSH-M8B-05P-FF-SL7D01-00AH	PMSH-M8A-06P-FF-SL7D01-00AH	PMSH-M8A-08P-FF-SL7D01-00AH
	3m	PMSH-M8A-03P-FF-SL7D03-00AH	PMSH-M8A-04P-FF-SL7D03-00AH	PMSH-M8B-05P-FF-SL7D03-00AH	PMSH-M8A-06P-FF-SL7D03-00AH	PMSH-M8A-08P-FF-SL7D03-00AH
	5m	PMSH-M8A-03P-FF-SL7D05-00AH	PMSH-M8A-04P-FF-SL7D05-00AH	PMSH-M8B-05P-FF-SL7D05-00AH	PMSH-M8A-06P-FF-SL7D05-00AH	PMSH-M8A-08P-FF-SL7D05-00AH
	定制化 Customized
	定制长度 Customized

M8 x 1 孔式成型电缆插头，单端，屏蔽，弯头。

M8 x 1 Female Overmolded with Cable plug, Single end, Shielded, Angled.



技术数据 Technical Data

标准 Standard	IEC 61076	端子载体材料 Contact carriers material	PA
系列 Series	M8, Female, Angled	端子材料 Contact material	Copper Alloy, Gold-plated
Pin针数量 Number of Pins	03,04,05,06,08 Pin	金属螺母 Metal of nut	Copper Alloy with Nickel Plated
额定电流 Rated Current	3A max.	胶圈 Seal	Silicone
额定电压 Rated voltage	60V max.	电缆外皮材料 Cable jacket material	PUR / PVC
绝缘电阻 Insulation resistance	≥100M Ω	屏蔽 Shielding	Shielded
接触电阻 Contact resistance	≤5m Ω	机械寿命 Mechanical life	> 100 mating cycles
运行温度 Ambient temperature	-25 ~ +80°C	—	—
防护等级 IP Class	IP67	—	—

针数 Number of Pins		03 Pin	04 Pin	05 Pin	06 Pin	08 Pin
编码 Coding	编码 Coded	A-Coded	A-Coded	B-Coded	A-Coded	A-Coded
	正面图 Front View					
额定电流 Rated current	A.	3A	3A	3A	1.5A	1.5A
额定电压 Rated voltage	V.	60V	60V	30V	30V	30V
电线电缆 Wire/Cable	线规 Wire gauge	24AWG	24AWG	24AWG	26AWG	26AWG
	横截面 Cross section	0.25mm ²	0.25mm ²	0.25mm ²	0.14mm ²	0.14mm ²
	接线表 Wiring list	1.BN 3.BU 4.BK	1.BN 2.WH 3.BU 4.BK	1.BN 2.WH 3.BU 4.BK 5.GY	1.BN 2.WH 3.BU 4.BK 5.GY 6.PK 7.BU 8.RD	
描述 Description	订单号 Order NO.	订单号 Order NO.	订单号 Order NO.	订单号 Order NO.	订单号 Order NO.	订单号 Order NO.
PVC	1m	PMSH-M8A-03P-FF-SR7C01-00AH	PMSH-M8A-04P-FF-SR7C01-00AH	PMSH-M8B-05P-FF-SR7C01-00AH	PMSH-M8A-06P-FF-SR7C01-00AH	PMSH-M8A-08P-FF-SR7C01-00AH
	3m	PMSH-M8A-03P-FF-SR7C03-00AH	PMSH-M8A-04P-FF-SR7C03-00AH	PMSH-M8B-05P-FF-SR7C03-00AH	PMSH-M8A-06P-FF-SR7C03-00AH	PMSH-M8A-08P-FF-SR7C03-00AH
	5m	PMSH-M8A-03P-FF-SR7C05-00AH	PMSH-M8A-04P-FF-SR7C05-00AH	PMSH-M8B-05P-FF-SR7C05-00AH	PMSH-M8A-06P-FF-SR7C05-00AH	PMSH-M8A-08P-FF-SR7C05-00AH
	定制化 Customized
	定制长度 Customized
PUR	1m	PMSH-M8A-03P-FF-SR7D01-00AH	PMSH-M8A-04P-FF-SR7D01-00AH	PMSH-M8B-05P-FF-SR7D01-00AH	PMSH-M8A-06P-FF-SR7D01-00AH	PMSH-M8A-08P-FF-SR7D01-00AH
	3m	PMSH-M8A-03P-FF-SR7D03-00AH	PMSH-M8A-04P-FF-SR7D03-00AH	PMSH-M8B-05P-FF-SR7D03-00AH	PMSH-M8A-06P-FF-SR7D03-00AH	PMSH-M8A-08P-FF-SR7D03-00AH
	5m	PMSH-M8A-03P-FF-SR7D05-00AH	PMSH-M8A-04P-FF-SR7D05-00AH	PMSH-M8B-05P-FF-SR7D05-00AH	PMSH-M8A-06P-FF-SR7D05-00AH	PMSH-M8A-08P-FF-SR7D05-00AH
	定制化 Customized
	定制长度 Customized

M8 x 1 孔式成型电缆插头，单端，非屏蔽，直头，LED。

M8 x 1 Female Overmolded with Cable plug, Single end, Unshielded, Straight, LED.

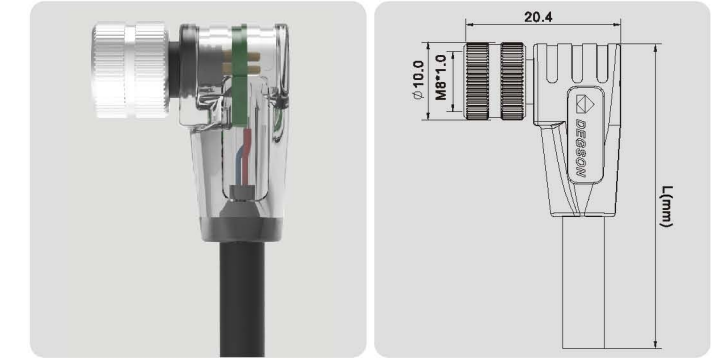

技术数据 Technical Data

标准 Standard	IEC 61076	端子载体材料 Contact carriers material	PU
系列 Series	M8, Female, Straight	端子材料 Contact material	Copper Alloy, Gold-plated
Pin针数量 Number of Pins	03, 04 Pin	金属螺母 Metal of nut	Copper Alloy with Nickel Plated
额定电流 Rated Current	3A max.	胶圈 Seal	Silicone
额定电压 Rated voltage	60V max.	电缆外皮材料 Cable jacket material	PUR / PVC
绝缘电阻 Insulation resistance	≥100M Ω	屏蔽 Shielding	Unshielded
接触电阻 Contact resistance	≤5m Ω	机械寿命 Mechanical life	> 100 mating cycles
运行温度 Ambient temperature	-25 ~ +80°C	—	—
防护等级 IP Class	IP67	—	—

针数 Number of Pins		03 Pin	04 Pin
编码 Coding	编码 Coded	A-Coded	A-Coded
	正面图 Front View		
额定电流 Rated current	A.	3A	3A
额定电压 Rated voltage	V.	60V	60V
电线电缆 Wire/Cable	线规 Wire gauge	24AWG	24AWG
	横截面 Cross section	0.25mm ²	0.25mm ²
	接线表 Wiring list	1.BN 3.BU 4.BK	1.BN 2.WH 3.BU 4.BK
描述 Description	订单号 Order NO.	订单号 Order NO.	订单号 Order NO.
PVC	1m	PL-M8A-03P-FF-SL7A01-00AH	PL-M8A-04P-FF-SL7A01-00AH
	3m	PL-M8A-03P-FF-SL7A03-00AH	PL-M8A-04P-FF-SL7A03-00AH
	5m	PL-M8A-03P-FF-SL7A05-00AH	PL-M8A-04P-FF-SL7A05-00AH
	定制化 Customized
PUR	1m	PL-M8A-03P-FF-SL7B01-00AH	PL-M8A-04P-FF-SL7B01-00AH
	3m	PL-M8A-03P-FF-SL7B03-00AH	PL-M8A-04P-FF-SL7B03-00AH
	5m	PL-M8A-03P-FF-SL7B05-00AH	PL-M8A-04P-FF-SL7B05-00AH
	定制化 Customized

M8 x 1 孔式成型电缆插头，单端，非屏蔽，弯头，LED。

M8 x 1 Female Overmolded with Cable plug, Single end, Unshielded, Angled, LED.

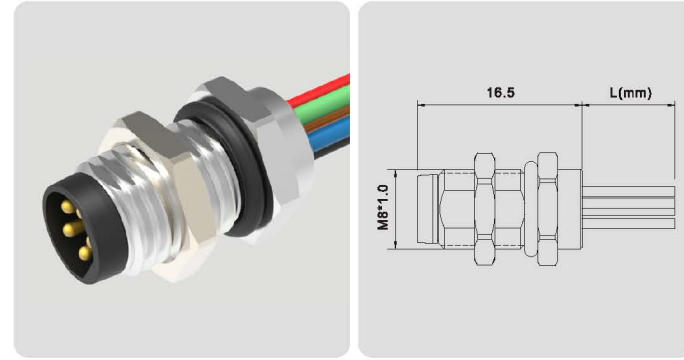

技术数据 Technical Data

标准 Standard	IEC 61076	端子载体材料 Contact carriers material	PU
系列 Series	M8, Female, Angled	端子材料 Contact material	Copper Alloy, Gold-plated
Pin针数量 Number of Pins	03, 04 Pin	金属螺母 Metal of nut	Copper Alloy with Nickel Plated
额定电流 Rated Current	3A max.	胶圈 Seal	Silicone
额定电压 Rated voltage	60V max.	电缆外皮材料 Cable jacket material	PUR / PVC
绝缘电阻 Insulation resistance	≥100M Ω	屏蔽 Shielding	Unshielded
接触电阻 Contact resistance	≤5m Ω	机械寿命 Mechanical life	> 100 mating cycles
运行温度 Ambient temperature	-25 ~ +80°C	—	—
防护等级 IP Class	IP67	—	—

针数 Number of Pins		03 Pin	04 Pin
编码 Coding	编码 Coded	A-Coded	A-Coded
	正面图 Front View		
额定电流 Rated current	A.	3A	3A
额定电压 Rated voltage	V.	60V	60V
电线电缆 Wire/Cable	线规 Wire gauge	24AWG	24AWG
	横截面 Cross section	0.25mm ²	0.25mm ²
	接线表 Wiring list	1.BN 3.BU 4.BK	1.BN 2.WH 3.BU 4.BK
描述 Description	订单号 Order NO.	订单号 Order NO.	订单号 Order NO.
PVC	1m	PL-M8A-03P-FF-SR7A01-00AH	PL-M8A-04P-FF-SR7A01-00AH
	3m	PL-M8A-03P-FF-SR7A03-00AH	PL-M8A-04P-FF-SR7A03-00AH
	5m	PL-M8A-03P-FF-SR7A05-00AH	PL-M8A-04P-FF-SR7A05-00AH
	定制化 Customized
PUR	1m	PL-M8A-03P-FF-SR7B01-00AH	PL-M8A-04P-FF-SR7B01-00AH
	3m	PL-M8A-03P-FF-SR7B03-00AH	PL-M8A-04P-FF-SR7B03-00AH
	5m	PL-M8A-03P-FF-SR7B05-00AH	PL-M8A-04P-FF-SR7B05-00AH
	定制化 Customized

M8 x 1 针式面板安装插座，板后安装，带0.5m导线。

M8 x 1 Male Panel Mount Receptacle, Rear Mounting, with 0.5m wires.



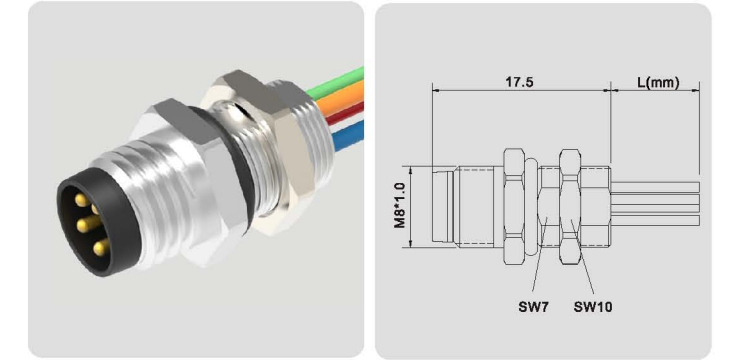
技术数据 Technical Data

标准 Standard	IEC 61076	端子载体材料 Contact carriers material	PA
系列 Series	M8, Male	端子材料 Contact material	Copper Alloy, Gold-plated
Pin针数量 Number of Pins	03,04,05,06,08 Pin	金属螺母 Metal of nut	Copper Alloy with Nickel Plated
额定电流 Rated Current	3A max.	胶圈 Seal	Silicone
额定电压 Rated voltage	60V max.	屏蔽 Shielding	Unshielded
绝缘电阻 Insulation resistance	≥100MΩ	机械寿命 Mechanical life	> 100 mating cycles
接触电阻 Contact resistance	≤5mΩ	—	—
运行温度 Ambient temperature	-25 ~ +80°C	—	—
防护等级 IP Class	IP67	—	—

针数 Number of Pins		03 Pin	04 Pin	05 Pin	06 Pin	08 Pin
编码 Coding	编码 Coded	A-Coded	A-Coded	B-Coded	A-Coded	A-Coded
	正面图 Front View					
额定电流 Rated current	A.	3A	3A	3A	1.5A	1.5A
额定电压 Rated voltage	V.	60V	60V	30V	30V	30V
电线电缆 Wire/Cable	线规 Wire gauge	24AWG	24AWG	24AWG	26AWG	26AWG
	横截面 Cross section	0.25mm ²	0.25mm ²	0.25mm ²	0.14mm ²	0.14mm ²
	接线表 Wiring list	1.BN 3.BU 4.BK	1.BN 2.WH 3.BU 4.BK	1.BN 2.WH 3.BU 4.BK 5.GY	1.BN 2.WH 3.BU 4.BK 5.GY 8.PK	1.WH 2.BN 3.GN 4.YE 5.GY 6.PK 7.BU 8.RD
描述 Description	订单号 Order NO.	SD-M8A-03P-MM-SF7C50-00AH	SD-M8A-04P-MM-SF7C50-00AH	SS-M8B-05P-MM-SF7C50-00AH	SD-M8A-06P-MM-SF7C50-00AH	SD-M8A-08P-MM-SF7C50-00AH
定制化 Customized

M8 x 1 针式面板安装插座，板前安装，带0.5m导线。

M8 x 1 Male Panel Mount Receptacle, Front Mounting, with 0.5m wires.



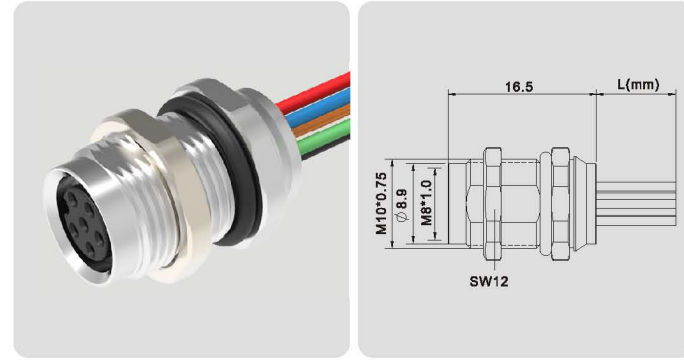
技术数据 Technical Data

标准 Standard	IEC 61076	端子载体材料 Contact carriers material	PA
系列 Series	M8, Male	端子材料 Contact material	Copper Alloy, Gold-plated
Pin针数量 Number of Pins	03,04,05,06,08 Pin	金属螺母 Metal of nut	Copper Alloy with Nickel Plated
额定电流 Rated Current	3A max.	胶圈 Seal	Silicone
额定电压 Rated voltage	60V max.	屏蔽 Shielding	Unshielded
绝缘电阻 Insulation resistance	≥100MΩ	机械寿命 Mechanical life	> 100 mating cycles
接触电阻 Contact resistance	≤5mΩ	—	—
运行温度 Ambient temperature	-25 ~ +80°C	—	—
防护等级 IP Class	IP67	—	—

针数 Number of Pins		03 Pin	04 Pin	05 Pin	06 Pin	08 Pin
编码 Coding	编码 Coded	A-Coded	A-Coded	B-Coded	A-Coded	A-Coded
	正面图 Front View					
额定电流 Rated current	A.	3A	3A	3A	1.5A	1.5A
额定电压 Rated voltage	V.	60V	30V	30V	30V	30V
电线电缆 Wire/Cable	线规 Wire gauge	24AWG	24AWG	24AWG	26AWG	26AWG
	横截面 Cross section	0.25mm ²	0.25mm ²	0.25mm ²	0.14mm ²	0.14mm ²
	接线表 Wiring list	1.BN 3.BU 4.BK	1.BN 2.WH 3.BU 4.BK	1.BN 2.WH 3.BU 4.BK 5.GY	1.BN 2.WH 3.BU 4.BK 5.GY 6.PK	1.WH 2.BN 3.GN 4.YE 5.GY 6.PK 7.BU 8.RD
描述 Description	订单号 Order NO.	SD-M8A-03P-MM-SH7B50-00AH	SD-M8A-04P-MM-SH7B50-00AH	SD-M8B-05P-MM-SH7B50-00AH	SD-M8A-06P-MM-SH7B50-00AH	SD-M8A-08P-MM-SH7B50-00AH
定制化 Customized

M8 x 1 孔式面板安装插座，板后安装，带0.5m导线。

M8 x 1 Female Panel Mount Receptacle ,Rear Mounting,with 0.5m wires.



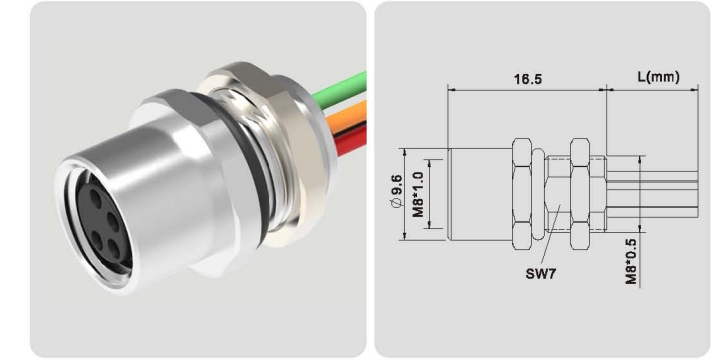
技术数据 Technical Data

标准 Standard	IEC 61076	端子载体材料 Contact carriers material	PA
系列 Series	M8, Female	端子材料 Contact material	Copper Alloy, Gold-plated
Pin针数量 Number of Pins	03,04,05,06,08 Pin	金属螺母 Metal of nut	Copper Alloy with Nickel Plated
额定电流 Rated Current	3A max.	胶圈 Seal	Silicone
额定电压 Rated voltage	60V max.	屏蔽 Shielding	Unshielded
绝缘电阻 Insulation resistance	≥100MΩ	机械寿命 Mechanical life	> 100 mating cycles
接触电阻 Contact resistance	≤5mΩ		
运行温度 Ambient temperature	-25 ~ +80°C		
防护等级 IP Class	IP67		

针数 Number of Pins		03 Pin	04 Pin	05 Pin	06 Pin	08 Pin
编码 Coding	编码 Coded	A-Coded	A-Coded	B-Coded	A-Coded	A-Coded
	正面图 Front View					
额定电流 Rated current	A.	3A	3A	3A	1.5A	1.5A
额定电压 Rated voltage	V.	60V	60V	30V	30V	30V
电线电缆 Wire/Cable	线规 Wire gauge	24AWG	24AWG	24AWG	26AWG	26AWG
	横截面 Cross section	0.25mm ²	0.25mm ²	0.25mm ²	0.14mm ²	0.14mm ²
	接线表 Wiring list	1.BN 3.BU 4.BK	1.BN 2.WH 3.BU 4.BK	1.BN 2.WH 3.BU 4.BK 5.GY	1.BN 2.WH 3.BU 4.BK 5.GY 6.PK	1.WH 2.BN 3.GN 4.YE 5.GY 6.PK 7.BU 8.RD
描述 Description	订单号 Order NO .	订单号 Order NO .	订单号 Order NO .	订单号 Order NO .	订单号 Order NO .	订单号 Order NO .
0.5m	SD-M8A-03P-FF-SF7A50-00AH	SD-M8A-04P-FF-SF7A50-00AH	SD-M8B-05P-FF-SF7A50-00AH	SD-M8A-06P-FF-SF7A50-00AH	SD-M8A-08P-FF-SF7A50-00AH	
定制化 Customized	

M8 x 1 孔式面板安装插座，板前安装，带0.5m导线。

M8 x 1 Female Panel Mount Receptacle,Front Mounting,with 0.5m wires.



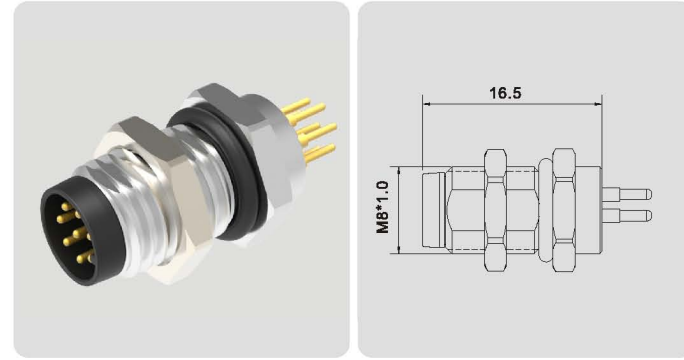
技术数据 Technical Data

标准 Standard	IEC 61076	端子载体材料 Contact carriers material	PA
系列 Series	M8, Female	端子材料 Contact material	Copper Alloy, Gold-plated
Pin针数量 Number of Pins	03,04,05,06,08 Pin	金属螺母 Metal of nut	Copper Alloy with Nickel Plated
额定电流 Rated Current	3A max.	胶圈 Seal	Silicone
额定电压 Rated voltage	60V max.	屏蔽 Shielding	Unshielded
绝缘电阻 Insulation resistance	≥100MΩ	机械寿命 Mechanical life	> 100 mating cycles
接触电阻 Contact resistance	≤5mΩ		
运行温度 Ambient temperature	-25 ~ +80°C		
防护等级 IP Class	IP67		

针数 Number of Pins		03 Pin	04 Pin	05 Pin	06 Pin	08 Pin
编码 Coding	编码 Coded	A-Coded	A-Coded	B-Coded	A-Coded	A-Coded
	正面图 Front View					
额定电流 Rated current	A.	3A	3A	3A	1.5A	1.5A
额定电压 Rated voltage	V.	60V	60V	30V	30V	30V
电线电缆 Wire/Cable	线规 Wire gauge	24AWG	24AWG	24AWG	26AWG	26AWG
	横截面 Cross section	0.25mm ²	0.25mm ²	0.25mm ²	0.14mm ²	0.14mm ²
	接线表 Wiring list	1.BN 3.BU 4.BK	1.BN 2.WH 3.BU 4.BK	1.BN 2.WH 3.BU 4.BK 5.GY	1.BN 2.WH 3.BU 4.BK 5.GY 6.PK	1.WH 2.BN 3.GN 4.YE 5.GY 6.PK 7.BU 8.RD
描述 Description	订单号 Order NO .	订单号 Order NO .	订单号 Order NO .	订单号 Order NO .	订单号 Order NO .	订单号 Order NO .
0.5m	SD-M8A-03P-FF-SH7B50-00AH	SD-M8A-04P-FF-SH7B50-00AH	SD-M8B-05P-FF-SH7B50-00AH	SD-M8A-06P-FF-SH7B50-00AH	SD-M8A-08P-FF-SH7B50-00AH	
定制化 Customized	

M8 x 1 针式面板安装插座，板后安装，非屏蔽，PCB焊接。

M8 x 1 Male Panel Mount Receptacle, Rear Mounting, Unshielded, PCB Soldering.

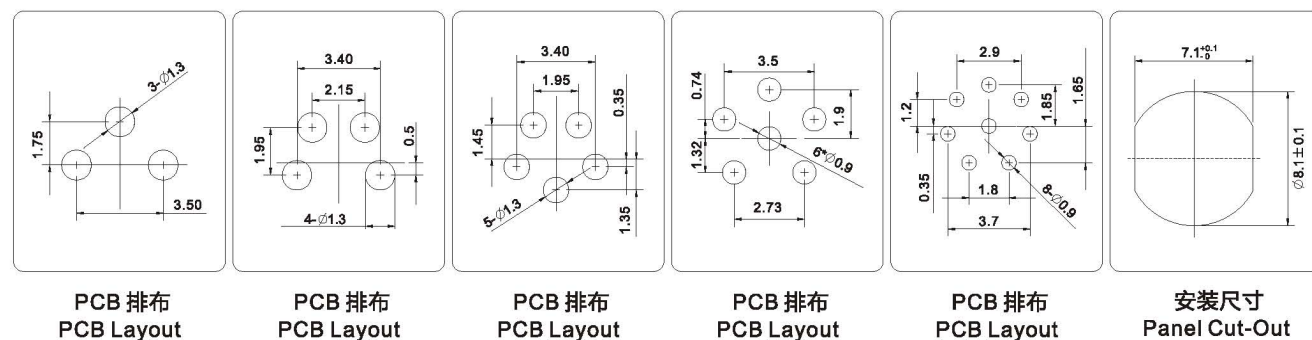


技术数据 Technical Data

标准 Standard	IEC 61076	端子载体材料 Contact carriers material	PA
系列 Series	M8, Male	端子材料 Contact material	Copper Alloy, Gold-plated
Pin针数量 Number of Pins	03,04,05,06,08 Pin	金属螺母 Metal of nut	Copper Alloy with Nickel Plated
额定电流 Rated Current	3A max.	胶圈 Seal	Silicone
额定电压 Rated voltage	60V max.	机械寿命 Mechanical life	Unshielded
绝缘电阻 Insulation resistance	≥100MΩ		> 100 mating cycles
接触电阻 Contact resistance	≤5mΩ		
运行温度 Ambient temperature	-40 ~ +105℃		
防护等级 IP Class	IP67		

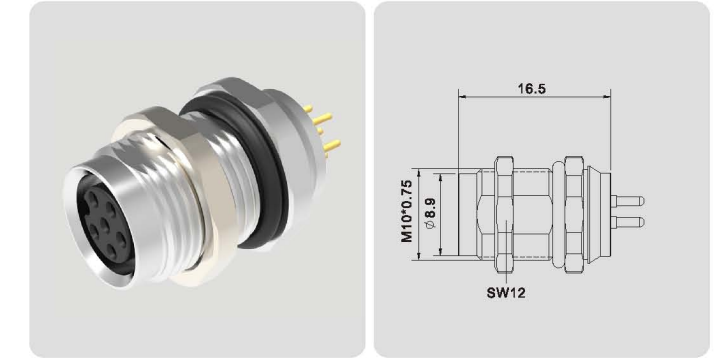
针数 Number of Pins		03 Pin	04 Pin	05 Pin	06 Pin	08 Pin
编码 Coding	编码 Coded	A-Coded	A-Coded	B-Coded	A-Coded	A-Coded
	正面图 Front View					
额定电流 Rated current	A.	3A	3A	3A	1.5A	1.5A
额定电压 Rated voltage	V.	60V	60V	30V	30V	30V
描述 Description	订单号 Order NO.	订单号 Order NO.	订单号 Order NO.	订单号 Order NO.	订单号 Order NO.	订单号 Order NO.
定制 Customized	SP-M8A-03P-MM-SF7003-00AH	SP-M8A-04P-MM-SF7003-00AH	SP-M8B-05P-MM-SF7003-00AH	SP-M8A-06P-MM-SF7003-00AH	SP-M8A-08P-MM-SF7003-00AH	

尺寸图 Dimension Figure



M8 x 1 孔式面板安装插座，板后安装，非屏蔽，PCB焊接。

M8 x 1 Female Panel Mount Receptacle, Rear Mounting, Unshielded, PCB Soldering.

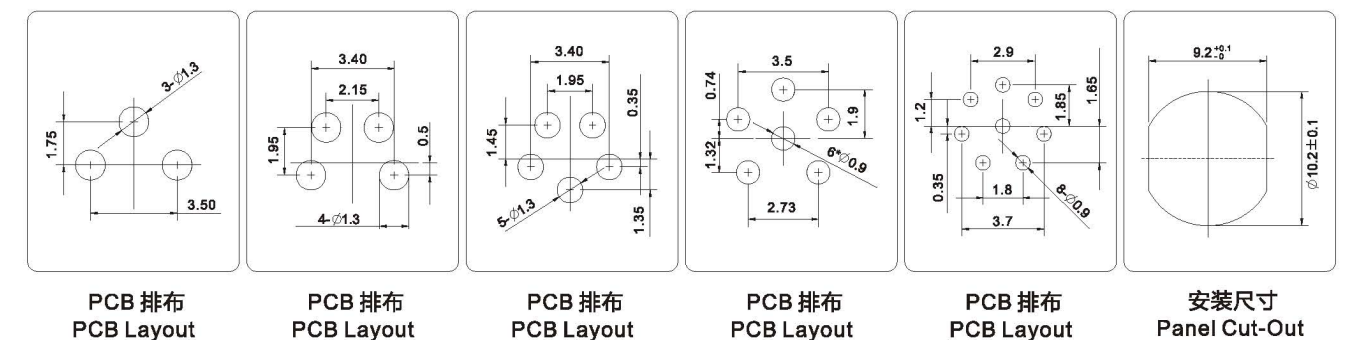


技术数据 Technical Data

标准 Standard	IEC 61076	端子载体材料 Contact carriers material	PA
系列 Series	M8, Female	端子材料 Contact material	Copper Alloy, Gold-plated
Pin针数量 Number of Pins	03,04,05,06,08 Pin	金属螺母 Metal of nut	Copper Alloy with Nickel Plated
额定电流 Rated Current	3A max.	胶圈 Seal	Silicone
额定电压 Rated voltage	60V max.	屏蔽 Shielding	Unshielded
绝缘电阻 Insulation resistance	≥100MΩ	机械寿命 Mechanical life	> 100 mating cycles
接触电阻 Contact resistance	≤5mΩ		
运行温度 Ambient temperature	-40 ~ +105℃		
防护等级 IP Class	IP67		

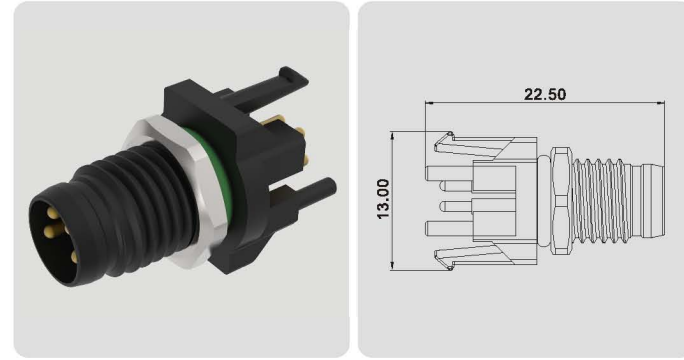
针数 Number of Pins		03 Pin	04 Pin	05 Pin	06 Pin	08 Pin
编码 Coding	编码 Coded	A-Coded	A-Coded	B-Coded	A-Coded	A-Coded
	正面图 Front View					
额定电流 Rated current	A.	3A	3A	3A	1.5A	1.5A
额定电压 Rated voltage	V.	60V	60V	30V	30V	30V
描述 Description	订单号 Order NO.	订单号 Order NO.	订单号 Order NO.	订单号 Order NO.	订单号 Order NO.	订单号 Order NO.
定制 Customized	SP-M8A-03P-FF-SF7001-00AH	SP-M8A-04P-FF-SF7001-00AH	SP-M8B-05P-FF-SF7001-00AH	SP-M8A-06P-FF-SF7001-00AH	SP-M8A-08P-FF-SF7001-00AH	

尺寸图 Dimension Figure



M8 x 1 针式面板安装插座, 板后安装, 非屏蔽, PCB焊接。

M8 x 1 Male Panel Mount Receptacle, Rear Mounting, Unshielded, PCB Soldering.

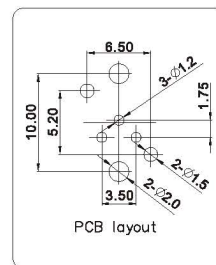


技术数据 Technical Data

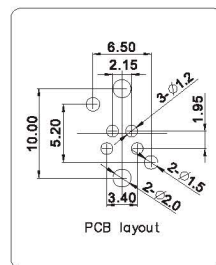
标准 Standard	IEC 61076	端子载体材料 Contact carriers material	PA
系列 Series	M8, Male	端子材料 Contact material	Copper Alloy, Gold-plated
Pin针数量 Number of Pins	03,04,05,06,08 Pin	金属螺母 Metal of nut	Copper Alloy with Nickel Plated
额定电流 Rated Current	3A max.	胶圈 Seal	Silicone
额定电压 Rated voltage	60V max.	机械寿命 Mechanical life	Unshielded > 100 mating cycles
绝缘电阻 Insulation resistance	≥100MΩ		
接触电阻 Contact resistance	≤5mΩ		
运行温度 Ambient temperature	-40 ~ +105℃		
防护等级 IP Class	IP67		

针数 Number of Pins		03 Pin	04 Pin
编码 Coding	编码 Coded	A-Coded	A-Coded
	正面图 Front View		
额定电流 Rated current	A.	3A	3A
额定电压 Rated voltage	V.	60V	60V
描述 Description		订单号 Order NO.	订单号 Order NO.
—		SP-M8A-03P-MM-SF7005-00AH	SP-M8A-04P-MM-SF7005-00AH
定制化 Customized	

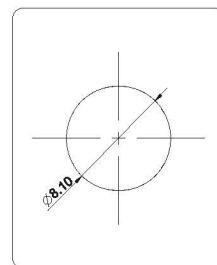
尺寸图 Dimension Figure



PCB 排布
PCB Layout



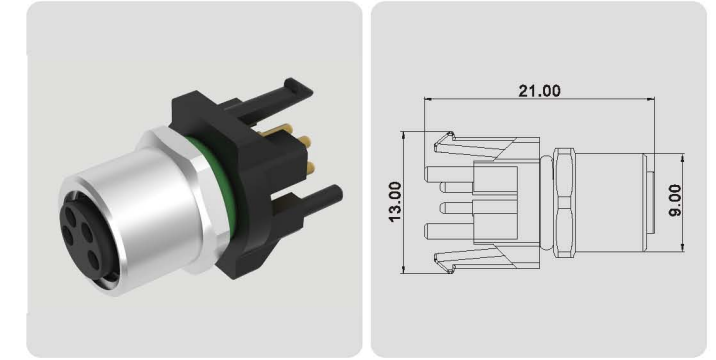
PCB 排布
PCB Layout



安装尺寸
Panel Cut-Out

M8 x 1 孔式面板安装插座, 板后安装, 非屏蔽, PCB焊接。

M8 x 1 Female Panel Mount Receptacle, Rear Mounting, Unshielded, PCB Soldering.

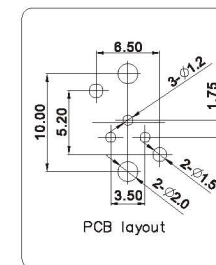


技术数据 Technical Data

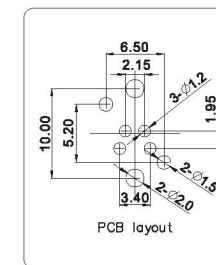
标准 Standard	IEC 61076	端子载体材料 Contact carriers material	PA
系列 Series	M8, Female	端子材料 Contact material	Copper Alloy, Gold-plated
Pin针数量 Number of Pins	03,04,05,06,08 Pin	金属螺母 Metal of nut	Copper Alloy with Nickel Plated
额定电流 Rated Current	3A max.	胶圈 Seal	Silicone
额定电压 Rated voltage	60V max.	屏蔽 Shielding	Unshielded
绝缘电阻 Insulation resistance	≥100MΩ	机械寿命 Mechanical life	> 100 mating cycles
接触电阻 Contact resistance	≤5mΩ		
运行温度 Ambient temperature	-40 ~ +105℃		
防护等级 IP Class	IP67		

针数 Number of Pins		03 Pin	04 Pin
编码 Coding	编码 Coded	A-Coded	A-Coded
	正面图 Front View		
额定电流 Rated current	A.	3A	3A
额定电压 Rated voltage	V.	60V	60V
描述 Description		订单号 Order NO.	订单号 Order NO.
—		SP-M8A-03P-FF-SF7005-00AH	SP-M8A-04P-FF-SF7005-00AH
定制化 Customized	

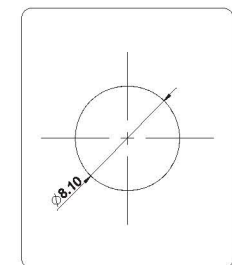
尺寸图 Dimension Figure



PCB 排布
PCB Layout



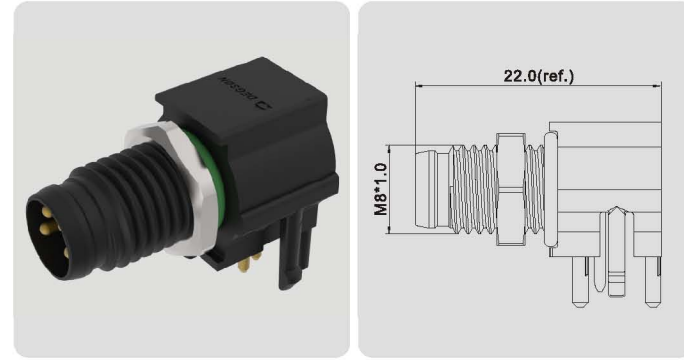
PCB 排布
PCB Layout



安装尺寸
Panel Cut-Out

M8 x 1 针式面板安装插座，板后安装，非屏蔽，PCB焊接。

M8 x 1 Male Panel Mount Receptacle, Rear Mounting, Unshielded, PCB Soldering.

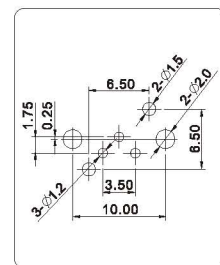


技术数据 Technical Data

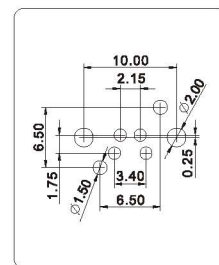
标准 Standard	IEC 61076	端子载体材料 Contact carriers material	PA
系列 Series	M8, Male	端子材料 Contact material	Copper Alloy, Gold-plated
Pin针数量 Number of Pins	03,04,05,06,08 Pin	金属螺母 Metal of nut	Copper Alloy with Nickel Plated
额定电流 Rated Current	3A max.	胶圈 Seal	Silicone
额定电压 Rated voltage	60V max.	机械寿命 Mechanical life	Unshielded > 100 mating cycles
绝缘电阻 Insulation resistance	≥100MΩ		
接触电阻 Contact resistance	≤5mΩ		
运行温度 Ambient temperature	-40 ~ +105℃		
防护等级 IP Class	IP67		

针数 Number of Pins		03 Pin	04 Pin
编码 Coding	编码 Coded	A-Coded	A-Coded
	正面图 Front View		
额定电流 Rated current	A.	3A	3A
额定电压 Rated voltage	V.	60V	60V
描述 Description		订单号 Order NO.	订单号 Order NO.
—		SR-M8A-03P-MM-SF7005-00AH	SR-M8A-04P-MM-SF7005-00AH
定制化 Customized	

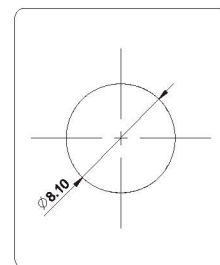
尺寸图 Dimension Figure



PCB 排布
PCB Layout



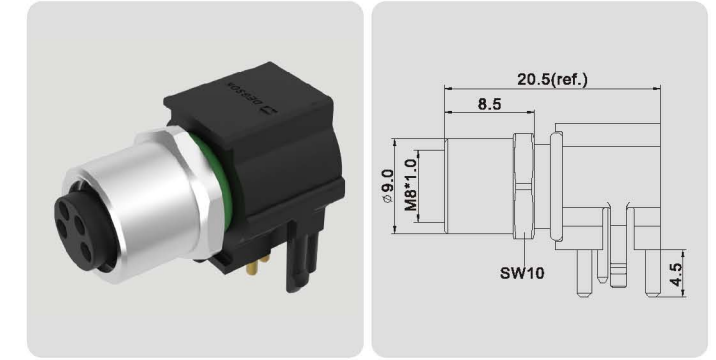
PCB 排布
PCB Layout



安装尺寸
Panel Cut-Out

M8 x 1 孔式面板安装插座，板后安装，非屏蔽，PCB焊接。

M8 x 1 Female Panel Mount Receptacle, Rear Mounting, Unshielded, PCB Soldering.

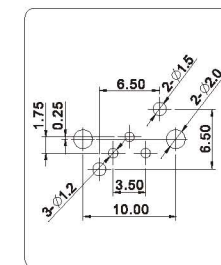


技术数据 Technical Data

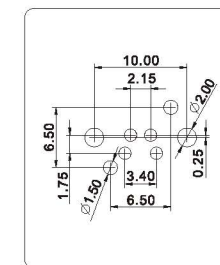
标准 Standard	IEC 61076	端子载体材料 Contact carriers material	PA
系列 Series	M8, Female	端子材料 Contact material	Copper Alloy, Gold-plated
Pin针数量 Number of Pins	03,04,05,06,08 Pin	金属螺母 Metal of nut	Copper Alloy with Nickel Plated
额定电流 Rated Current	3A max.	胶圈 Seal	Silicone
额定电压 Rated voltage	60V max.	屏蔽 Shielding	Unshielded
绝缘电阻 Insulation resistance	≥100MΩ	机械寿命 Mechanical life	> 100 mating cycles
接触电阻 Contact resistance	≤5mΩ		
运行温度 Ambient temperature	-40 ~ +105℃		
防护等级 IP Class	IP67		

针数 Number of Pins		03 Pin	04 Pin
编码 Coding	编码 Coded	A-Coded	A-Coded
	正面图 Front View		
额定电流 Rated current	A.	3A	3A
额定电压 Rated voltage	V.	60V	60V
描述 Description		订单号 Order NO.	订单号 Order NO.
—		SR-M8A-03P-FF-SF7005-00AH	SR-M8A-04P-FF-SF7005-00AH
定制化 Customized	

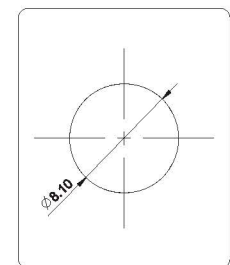
尺寸图 Dimension Figure



PCB 排布
PCB Layout



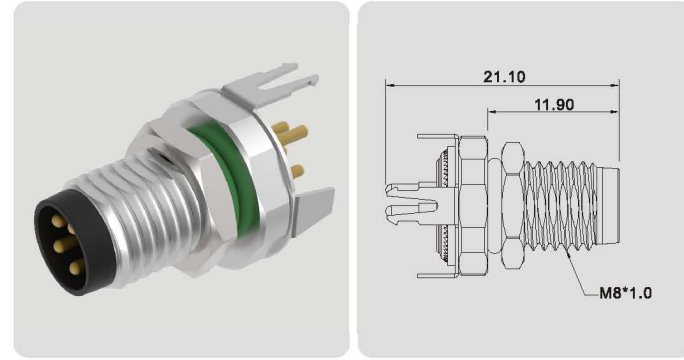
PCB 排布
PCB Layout



安装尺寸
Panel Cut-Out

M8 x 1 针式面板安装插座，板后安装，屏蔽，PCB焊接。

M8 x 1 Male Panel Mount Receptacle, Rear Mounting, Shielded, PCB Soldering.

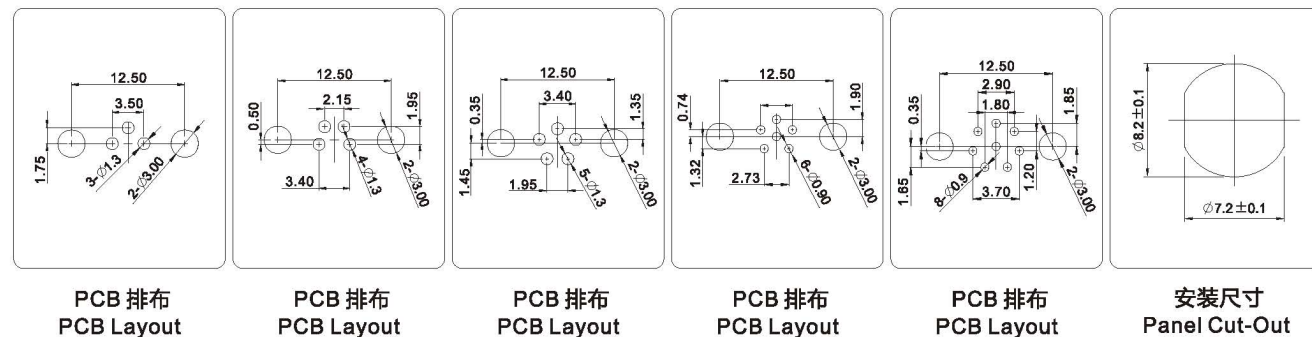


技术数据 Technical Data

标准 Standard	IEC 61076	端子载体材料 Contact carriers material	PA
系列 Series	M8, Male	端子材料 Contact material	Copper Alloy, Gold-plated
Pin针数量 Number of Pins	03,04,05,06,08 Pin	金属螺母 Metal of nut	Copper Alloy with Nickel Plated
额定电流 Rated Current	3A max.	胶圈 Seal	Silicone
额定电压 Rated voltage	60V max.	机械寿命 Mechanical life	Unshielded
绝缘电阻 Insulation resistance	≥100MΩ		> 100 mating cycles
接触电阻 Contact resistance	≤5mΩ		
运行温度 Ambient temperature	-40 ~ +105℃		
防护等级 IP Class	IP67		

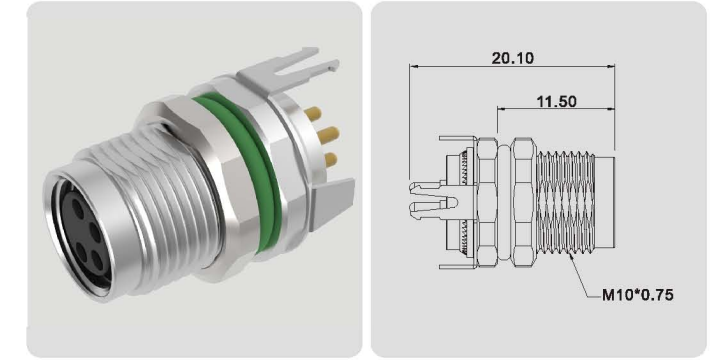
针数 Number of Pins		03 Pin	04 Pin	05 Pin	06 Pin	08 Pin
编码 Coding	编码 Coded	A-Coded	A-Coded	B-Coded	A-Coded	A-Coded
	正面图 Front View					
额定电流 Rated current	A.	3A	3A	3A	1.5A	1.5A
额定电压 Rated voltage	V.	60V	60V	30V	30V	30V
描述 Description	订单号 Order NO.	订单号 Order NO.	订单号 Order NO.	订单号 Order NO.	订单号 Order NO.	订单号 Order NO.
定制化 Customized

尺寸图 Dimension Figure



M8 x 1 孔式面板安装插座，板后安装，屏蔽，PCB焊接。

M8 x 1 Female Panel Mount Receptacle, Rear Mounting, Shielded, PCB Soldering.

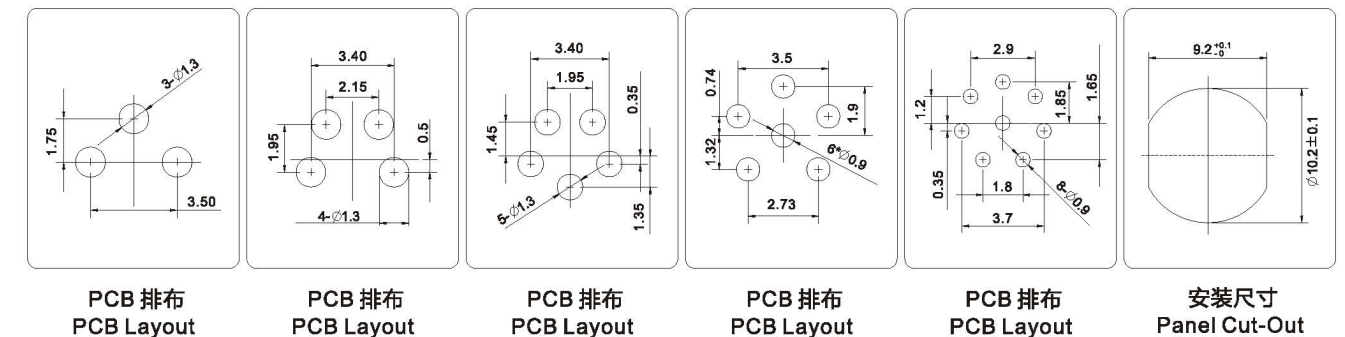


技术数据 Technical Data

标准 Standard	IEC 61076	端子载体材料 Contact carriers material	PA
系列 Series	M8, Female	端子材料 Contact material	Copper Alloy, Gold-plated
Pin针数量 Number of Pins	03,04,05,06,08 Pin	金属螺母 Metal of nut	Copper Alloy with Nickel Plated
额定电流 Rated Current	3A max.	胶圈 Seal	Silicone
额定电压 Rated voltage	60V max.	屏蔽 Shielding	Unshielded
绝缘电阻 Insulation resistance	≥100MΩ	机械寿命 Mechanical life	> 100 mating cycles
接触电阻 Contact resistance	≤5mΩ		
运行温度 Ambient temperature	-40 ~ +105℃		
防护等级 IP Class	IP67		

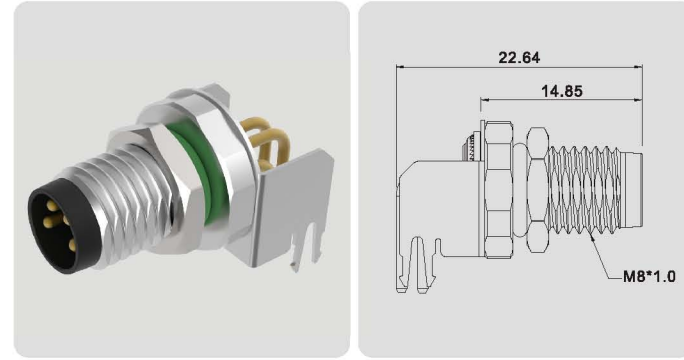
针数 Number of Pins		03 Pin	04 Pin	05 Pin	06 Pin	08 Pin
编码 Coding	编码 Coded	A-Coded	A-Coded	B-Coded	A-Coded	A-Coded
	正面图 Front View					
额定电流 Rated current	A.	3A	3A	3A	1.5A	1.5A
额定电压 Rated voltage	V.	60V	60V	30V	30V	30V
描述 Description	订单号 Order NO.	订单号 Order NO.	订单号 Order NO.	订单号 Order NO.	订单号 Order NO.	订单号 Order NO.
定制化 Customized

尺寸图 Dimension Figure



M8 x 1 针式面板安装插座，板后安装，屏蔽，PCB焊接。

M8 x 1 Male Panel Mount Receptacle, Rear Mounting, Shielded, PCB Soldering.

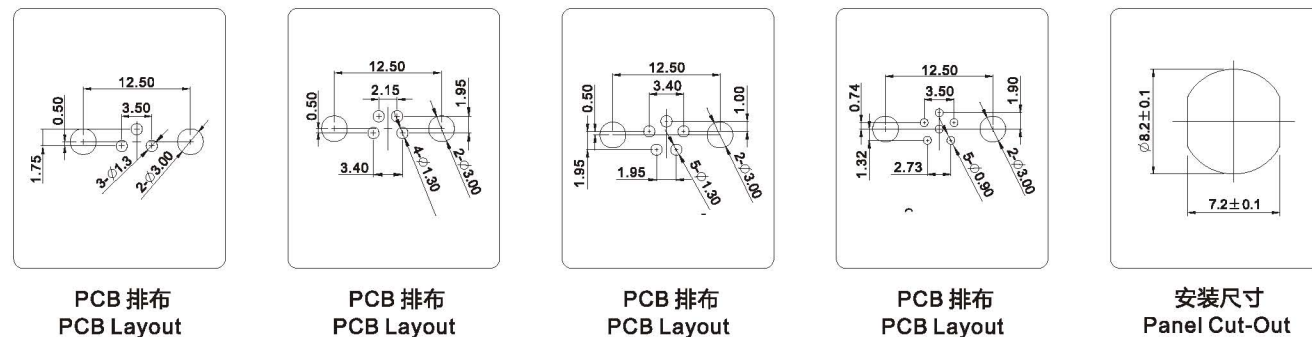


技术数据 Technical Data

标准 Standard	IEC 61076	端子载体材料 Contact carriers material	PA
系列 Series	M8, Male	端子材料 Contact material	Copper Alloy, Gold-plated
Pin针数量 Number of Pins	03,04,05,06,08 Pin	金属螺母 Metal of nut	Copper Alloy with Nickel Plated
额定电流 Rated Current	3A max.	胶圈 Seal	Silicone
额定电压 Rated voltage	60V max.	机械寿命 Mechanical life	Unshielded
绝缘电阻 Insulation resistance	≥100MΩ		> 100 mating cycles
接触电阻 Contact resistance	≤5mΩ		
运行温度 Ambient temperature	-40 ~ +105℃		
防护等级 IP Class	IP67		

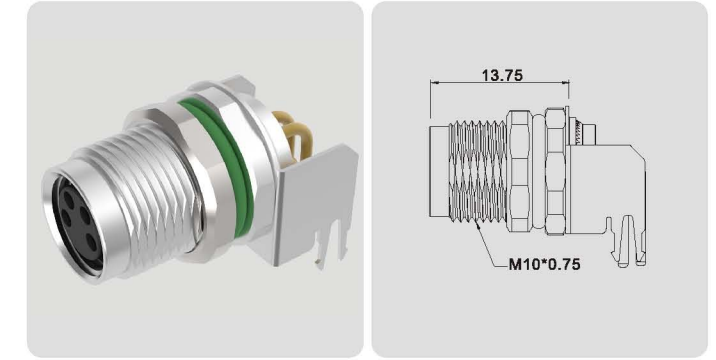
针数 Number of Pins		03 Pin	04 Pin	05 Pin	06 Pin
编码 Coding	编码 Coded	A-Coded	A-Coded	B-Coded	A-Coded
	正面图 Front View				
额定电流 Rated current	A.	3A	3A	3A	1.5A
额定电压 Rated voltage	V.	60V	60V	30V	30V
描述 Description	订单号 Order NO.	订单号 Order NO.	订单号 Order NO.	订单号 Order NO.	订单号 Order NO.
	SRSH-M8A-03P-MM-SF7003-00AH	SRSH-M8A-04P-MM-SF7003-00AH	SRSH-M8B-05P-MM-SF7003-00AH	SRSH-M8A-06P-MM-SF7003-00AH	
定制化 Customized	

尺寸图 Dimension Figure



M8 x 1 孔式面板安装插座，板后安装，屏蔽，PCB焊接。

M8 x 1 Female Panel Mount Receptacle, Rear Mounting, Shielded, PCB Soldering.

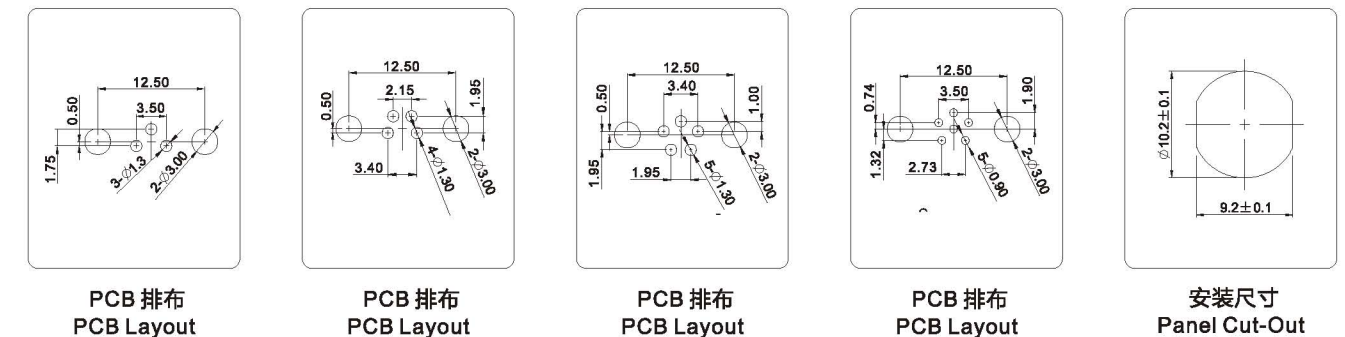


技术数据 Technical Data

标准 Standard	IEC 61076	端子载体材料 Contact carriers material	PA
系列 Series	M8, Female	端子材料 Contact material	Copper Alloy, Gold-plated
Pin针数量 Number of Pins	03,04,05,06,08 Pin	金属螺母 Metal of nut	Copper Alloy with Nickel Plated
额定电流 Rated Current	3A max.	胶圈 Seal	Silicone
额定电压 Rated voltage	60V max.	屏蔽 Shielding	Unshielded
绝缘电阻 Insulation resistance	≥100MΩ	机械寿命 Mechanical life	> 100 mating cycles
接触电阻 Contact resistance	≤5mΩ		
运行温度 Ambient temperature	-40 ~ +105℃		
防护等级 IP Class	IP67		

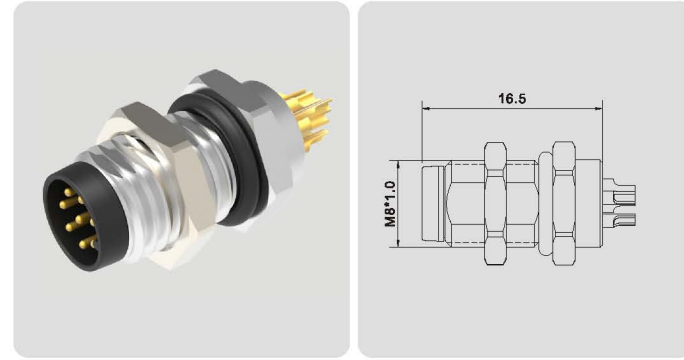
针数 Number of Pins		03 Pin	04 Pin	05 Pin	06 Pin
编码 Coding	编码 Coded	A-Coded	A-Coded	B-Coded	A-Coded
	正面图 Front View				
额定电流 Rated current	A.	3A	3A	3A	1.5A
额定电压 Rated voltage	V.	60V	60V	30V	30V
描述 Description	订单号 Order NO.	订单号 Order NO.	订单号 Order NO.	订单号 Order NO.	订单号 Order NO.
	SRSH-M8A-03P-FF-SF7001-00AH	SRSH-M8A-04P-FF-SF7001-00AH	SRSH-M8B-05P-FF-SF7001-00AH	SRSH-M8A-06P-FF-SF7001-00AH	
定制化 Customized	

尺寸图 Dimension Figure



M8 x 1 针式面板安装插座，板后安装，非屏蔽，焊杯不带线。

M8 x 1 Male Panel Mount Receptacle, Rear Mounting, Unshielded, Soldering without wire.

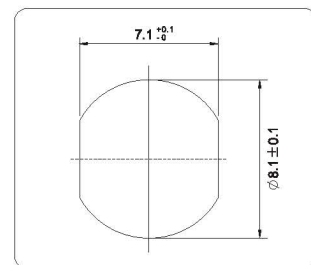


技术数据 Technical Data

标准 Standard	IEC 61076	端子载体材料 Contact carriers material	PA
系列 Series	M8, Male	端子材料 Contact material	Copper Alloy, Gold-plated
Pin针数量 Number of Pins	03,04,05,06,08 Pin	金属螺母 Metal of nut	Copper Alloy with Nickel Plated
额定电流 Rated Current	3A max.	胶圈 Seal	Silicone
额定电压 Rated voltage	60V max.	机械寿命 Mechanical life	> 100 mating cycles
绝缘电阻 Insulation resistance	≥100M Ω		
接触电阻 Contact resistance	≤5m Ω		
运行温度 Ambient temperature	-40 ~ +105℃		
防护等级 IP Class	IP67		

针数 Number of Pins		03 Pin	04 Pin	05 Pin	06 Pin	08 Pin
编码 Coding	编码 Coded	A-Coded	A-Coded	B-Coded	A-Coded	A-Coded
	正面图 Front View					
额定电流 Rated current	A.	3A	3A	3A	1.5A	1.5A
额定电压 Rated voltage	V.	60V	60V	30V	30V	30V
描述 Description	订单号 Order NO.	SD-M8A-03P-MM-SF7003-00AH	SD-M8A-04P-MM-SF7003-00AH	SD-M8B-05P-MM-SF7003-00AH	SD-M8A-06P-MM-SF7003-00AH	SD-M8A-08P-MM-SF7003-00AH
定制化 Customized	

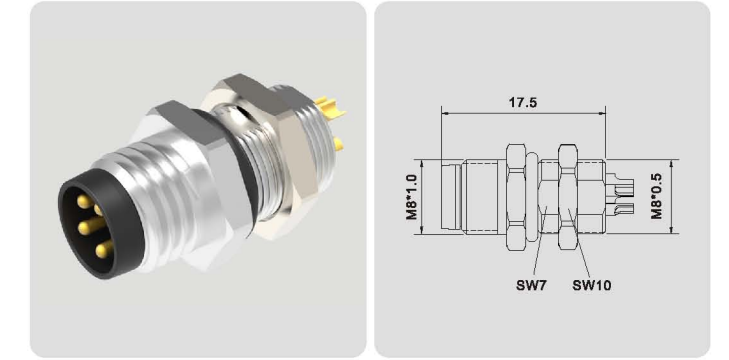
尺寸图 Dimension Figure



安装尺寸 Panel Cut-Out

M8 x 1 针式面板安装插座，板前安装，非屏蔽，焊杯不带线。

M8 x 1 Male Panel Mount Receptacle, Front Mounting, Unshielded, Soldering without wire.

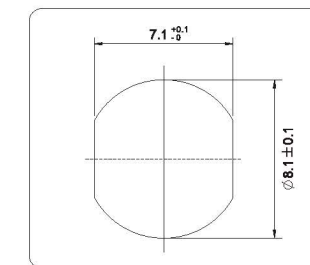


技术数据 Technical Data

标准 Standard	IEC 61076	端子载体材料 Contact carriers material	PA
系列 Series	M8, Male	端子材料 Contact material	Copper Alloy, Gold-plated
Pin针数量 Number of Pins	03,04,05,06,08 Pin	金属螺母 Metal of nut	Copper Alloy with Nickel Plated
额定电流 Rated Current	3A max.	胶圈 Seal	Silicone
额定电压 Rated voltage	60V max.	机械寿命 Mechanical life	> 100 mating cycles
绝缘电阻 Insulation resistance	≥100M Ω		
接触电阻 Contact resistance	≤5m Ω		
运行温度 Ambient temperature	-40 ~ +105℃		
防护等级 IP Class	IP67		

针数 Number of Pins		03 Pin	04 Pin	05 Pin	06 Pin	08 Pin
编码 Coding	编码 Coded	A-Coded	A-Coded	B-Coded	A-Coded	A-Coded
	正面图 Front View					
额定电流 Rated current	A.	3A	3A	3A	1.5A	1.5A
额定电压 Rated voltage	V.	60V	60V	30V	30V	30V
描述 Description	订单号 Order NO.	SD-M8A-03P-MM-SH7002-00AH	SD-M8A-04P-MM-SH7002-00AH	SD-M8B-05P-MM-SH7002-00AH	SD-M8A-06P-MM-SH7002-00AH	SD-M8A-08P-MM-SH7002-00AH
定制化 Customized	

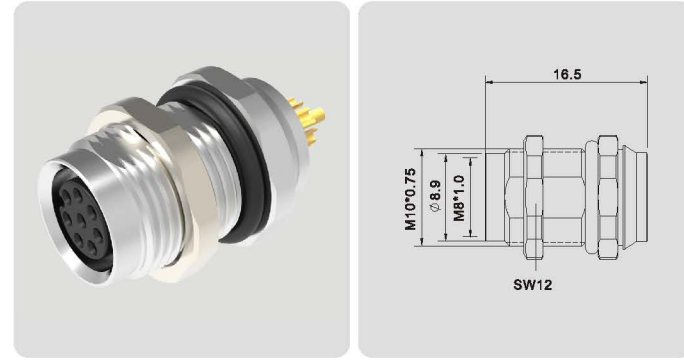
尺寸图 Dimension Figure



安装尺寸 Panel Cut-Out

M8 x 1 孔式面板安装插座，板后安装，非屏蔽，焊杯不带线。

M8 x 1 Female Panel Mount Receptacle, Rear Mounting, Unshielded, Soldering without wire.

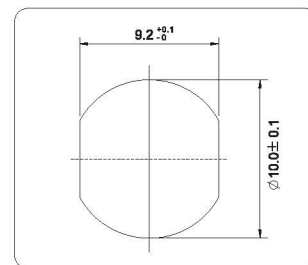


技术数据 Technical Data

标准 Standard	IEC 61076	端子载体材料 Contact carriers material	PA
系列 Series	M8, Female	端子材料 Contact material	Copper Alloy, Gold-plated
Pin针数量 Number of Pins	03,04,05,06,08 Pin	金属螺母 Metal of nut	Copper Alloy with Nickel Plated
额定电流 Rated Current	3A max.	胶圈 Seal	Silicone
额定电压 Rated voltage	60V max.	机械寿命 Mechanical life	> 100 mating cycles
绝缘电阻 Insulation resistance	≥100M Ω		
接触电阻 Contact resistance	≤5m Ω		
运行温度 Ambient temperature	-40 ~ +105℃		
防护等级 IP Class	IP67		

针数 Number of Pins		03 Pin	04 Pin	05 Pin	06 Pin	08 Pin
编码 Coding	编码 Coded	A-Coded	A-Coded	B-Coded	A-Coded	A-Coded
	正面图 Front View					
额定电流 Rated current	A.	3A	3A	3A	1.5A	1.5A
额定电压 Rated voltage	V.	60V	60V	30V	30V	30V
描述 Description	订单号 Order NO.	SD-M8A-03P-FF-SF7001-00AH	SD-M8A-04P-FF-SF7001-00AH	SD-M8B-05P-FF-SF7001-00AH	SD-M8A-06P-FF-SF7001-00AH	SD-M8A-08P-FF-SF7001-00AH
定制化 Customized	

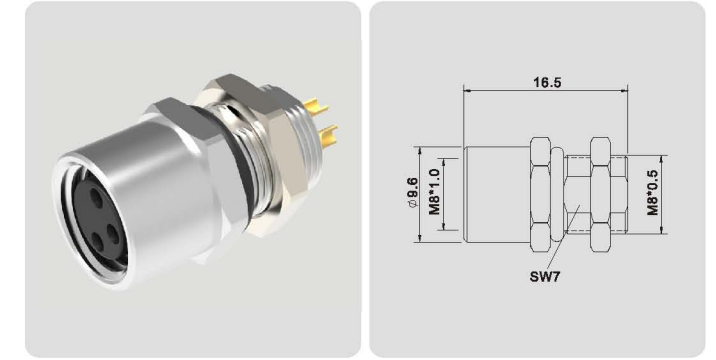
尺寸图 Dimension Figure



安装尺寸 Panel Cut-Out

M8 x 1 孔式面板安装插座，板前安装，非屏蔽，焊杯不带线。

M8 x 1 Female Panel Mount Receptacle, Front Mounting, Unshielded, Soldering without wire.

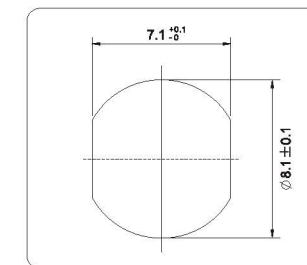


技术数据 Technical Data

标准 Standard	IEC 61076	端子载体材料 Contact carriers material	PA
系列 Series	M8, Female	端子材料 Contact material	Copper Alloy, Gold-plated
Pin针数量 Number of Pins	03,04,05,06,08 Pin	金属螺母 Metal of nut	Copper Alloy with Nickel Plated
额定电流 Rated Current	3A max.	胶圈 Seal	Silicone
额定电压 Rated voltage	60V max.	机械寿命 Mechanical life	> 100 mating cycles
绝缘电阻 Insulation resistance	≥100M Ω		
接触电阻 Contact resistance	≤5m Ω		
运行温度 Ambient temperature	-40 ~ +105℃		
防护等级 IP Class	IP67		

针数 Number of Pins		03 Pin	04 Pin	05 Pin	06 Pin	08 Pin
编码 Coding	编码 Coded	A-Coded	A-Coded	B-Coded	A-Coded	A-Coded
	正面图 Front View					
额定电流 Rated current	A.	3A	3A	3A	1.5A	1.5A
额定电压 Rated voltage	V.	60V	60V	30V	30V	30V
描述 Description	订单号 Order NO.	SD-M8A-03P-FF-SH7002-00AH	SD-M8A-04P-FF-SH7002-00AH	SD-M8B-05P-FF-SH7002-00AH	SD-M8A-06P-FF-SH7002-00AH	SD-M8A-08P-FF-SH7002-00AH
定制化 Customized	

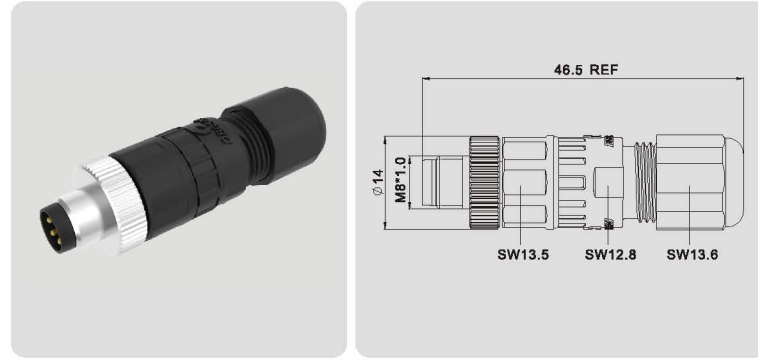
尺寸图 Dimension Figure



安装尺寸 Panel Cut-Out

M8 x 1 针式现场组装插头。非屏蔽，螺钉连接，直头。

M8 x 1 Male Field Assembly Plug. Unshielded, Screw Connection, Straight.

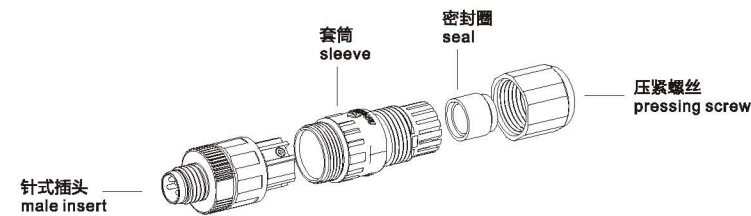


技术数据 Technical Data

标准 Standard	IEC 61076	端子载体材料 Contact carriers material	PA
系列 Series	M8, Male	端子材料 Contact material	Copper Alloy, Gold-plated
Pin针数量 Number of Pins	03,04 Pin	金属螺母 Metal of nut	Copper Alloy with Nickel Plated
额定电流 Rated Current	3A max.	胶圈 Seal	Silicone
额定电压 Rated voltage	60V max.	屏蔽 Shielding	Unshielded
绝缘电阻 Insulation resistance	≥100MΩ	机械寿命 Mechanical life	> 100 mating cycles
接触电阻 Contact resistance	≤5mΩ		
运行温度 Ambient temperature	-40 ~ +85℃		
防护等级 IP Class	IP67		

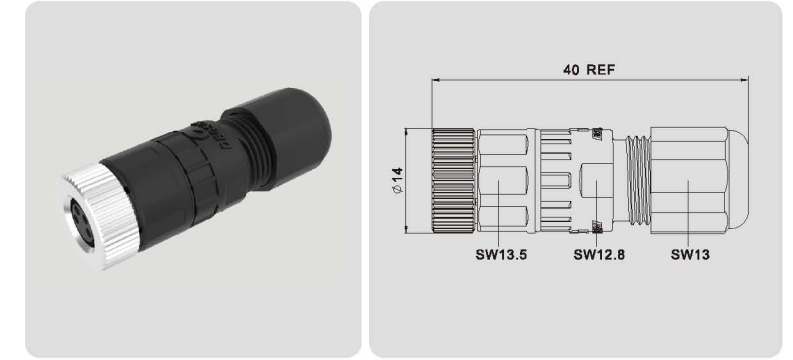
针数 Number of Pins		03 Pin	04 Pin
编码 Coding	编码 Coded	A-Coded	A-Coded
	正面图 Front View		
额定电流 Rated current	A.	3A	3A
额定电压 Rated voltage	V.	60V	60V
描述 Description		订单号 Order NO .	订单号 Order NO .
		PB-M8A-03P-MM-SL7001-00AH	PB-M8A-04P-MM-SL7001-00AH

零件图 Component part drawing



M8 x 1 孔式现场组装插头。非屏蔽，螺钉连接，直头。

M8 x 1 Female Field Assembly Plug. Unshielded, Screw Connection, Straight.

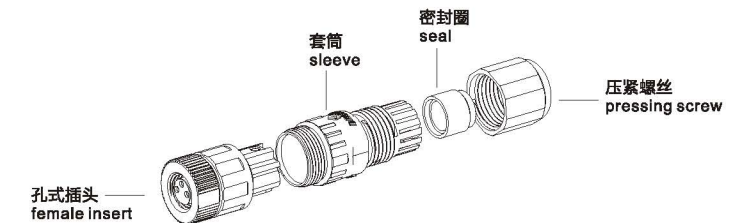


技术数据 Technical Data

标准 Standard	IEC 61076	端子载体材料 Contact carriers material	PA
系列 Series	M8, Female	端子材料 Contact material	Copper Alloy, Gold-plated
Pin针数量 Number of Pins	03,04 Pin	金属螺母 Metal of nut	Copper Alloy with Nickel Plated
额定电流 Rated Current	3A max.	胶圈 Seal	Silicone
额定电压 Rated voltage	60V max.	屏蔽 Shielding	Unshielded
绝缘电阻 Insulation resistance	≥100MΩ	机械寿命 Mechanical life	> 100 mating cycles
接触电阻 Contact resistance	≤5mΩ		
运行温度 Ambient temperature	-40 ~ +85℃		
防护等级 IP Class	IP67		

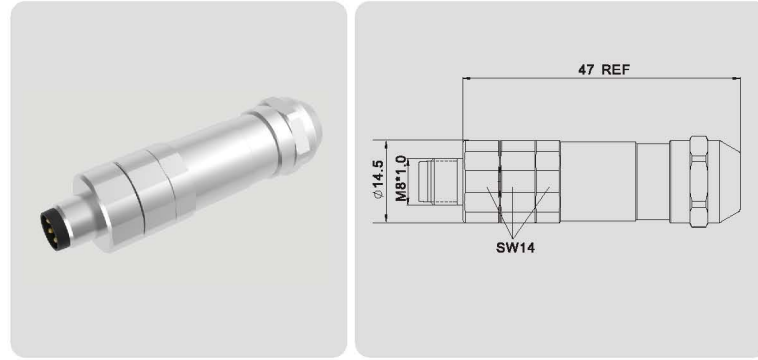
针数 Number of Pins		03 Pin	04 Pin
编码 Coding	编码 Coded	A-Coded	A-Coded
	正面图 Front View		
额定电流 Rated current	A.	3A	3A
额定电压 Rated voltage	V.	60V	60V
描述 Description		订单号 Order NO .	订单号 Order NO .
		PB-M8A-03P-FF-SL7001-00AH	PB-M8A-04P-FF-SL7001-00AH

零件图 Component part drawing



M8 x 1 针式现场组装插头。屏蔽，螺钉连接，直头。

M8 x 1 Male Field Assembly Plug. Shielded, Screw Connection, Straight.

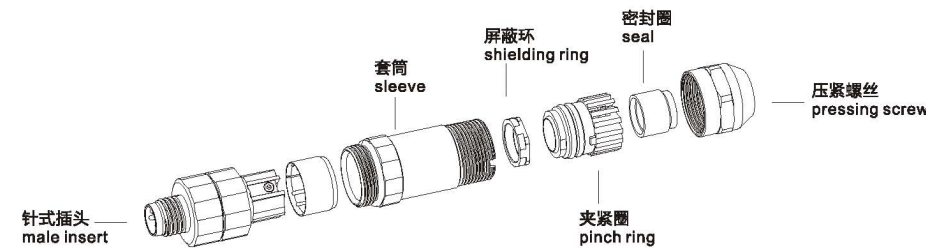


技术数据 Technical Data

标准 Standard	IEC 61076	端子载体材料 Contact carriers material	PA
系列 Series	M8, Male	端子材料 Contact material	Copper Alloy, Gold-plated
Pin针数量 Number of Pins	03,04 Pin	金属螺母 Metal of nut	Copper Alloy with Nickel Plated
额定电流 Rated Current	3A max.	胶圈 Seal	Silicone
额定电压 Rated voltage	60V max.	屏蔽 Shielding	Shielded
绝缘电阻 Insulation resistance	≥100MΩ	机械寿命 Mechanical life	> 100 mating cycles
接触电阻 Contact resistance	≤5mΩ	—	—
运行温度 Ambient temperature	-40 ~ +85℃	—	—
防护等级 IP Class	IP67	—	—

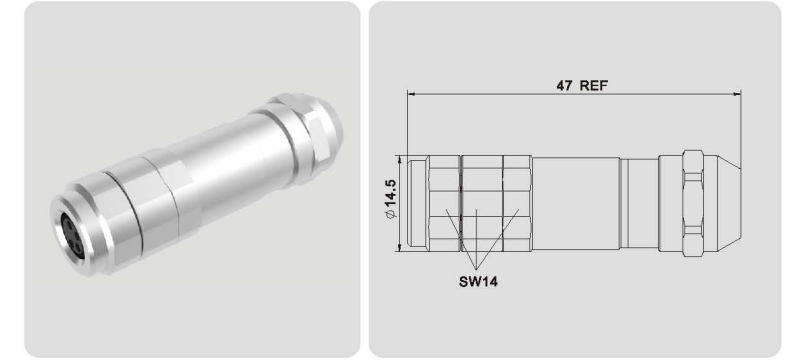
针数 Number of Pins		03 Pin	04 Pin
编码 Coded	编码 Coded	A-Coded	A-Coded
	正面图 Front View		
额定电流 Rated current	A.	3A	3A
额定电压 Rated voltage	V.	60V	60V
描述 Description		订单号 Order NO .	订单号 Order NO .
—		PBSH-M8A-03P-MM-SL7001-00AH	PBSH-M8A-04P-MM-SL7001-00AH

零件图 Component part drawing



M8 x 1 孔式现场组装插头。屏蔽，螺钉连接，直头。

M8 x 1 Female Field Assembly Plug. Shielded, Screw Connection, Straight.

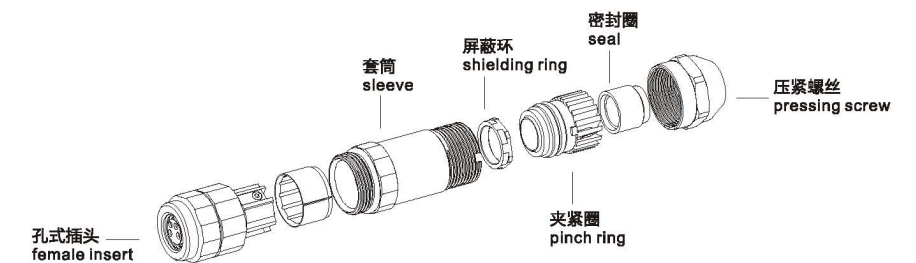


技术数据 Technical Data

标准 Standard	IEC 61076	端子载体材料 Contact carriers material	PA
系列 Series	M8, Female	端子材料 Contact material	Copper Alloy, Gold-plated
Pin针数量 Number of Pins	03,04 Pin	金属螺母 Metal of nut	Copper Alloy with Nickel Plated
额定电流 Rated Current	3A max.	胶圈 Seal	Silicone
额定电压 Rated voltage	60V max.	屏蔽 Shielding	Shielded
绝缘电阻 Insulation resistance	≥100MΩ	机械寿命 Mechanical life	> 100 mating cycles
接触电阻 Contact resistance	≤5mΩ	—	—
运行温度 Ambient temperature	-40 ~ +85℃	—	—
防护等级 IP Class	IP67	—	—

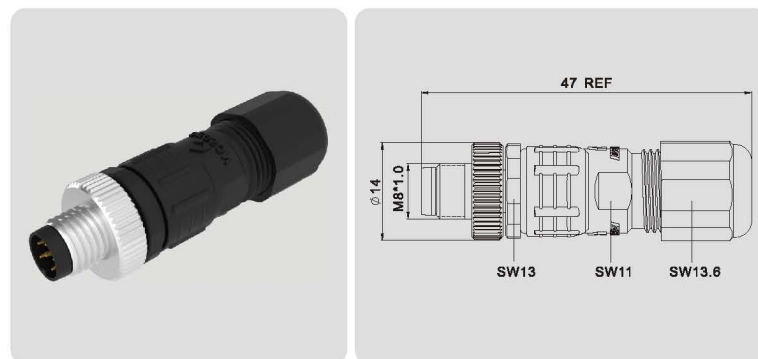
针数 Number of Pins		03 Pin	04 Pin
编码 Coded	编码 Coded	A-Coded	A-Coded
	正面图 Front View		
额定电流 Rated current	A.	3A	3A
额定电压 Rated voltage	V.	60V	60V
描述 Description		订单号 Order NO .	订单号 Order NO .
—		PBSH-M8A-03P-FF-SL7001-00AH	PBSH-M8A-04P-FF-SL7001-00AH

零件图 Component part drawing



M8 x 1 针式现场组装插头。非屏蔽，焊接式，直头。

M8 x 1 Male Field Assembly Plug. Unshielded, Soldering Connection, Straight.

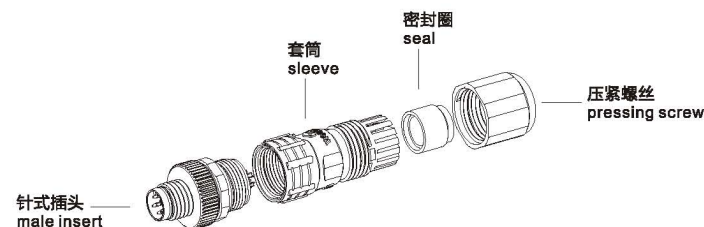


技术数据 Technical Data

标准 Standard	IEC 61076	端子载体材料 Contact carriers material	PA
系列 Series	M8, Male	端子材料 Contact material	Copper Alloy, Gold-plated
Pin针数量 Number of Pins	03,04,05,06,08 Pin	金属螺母 Metal of nut	Copper Alloy with Nickel Plated
额定电流 Rated Current	3A max.	胶圈 Seal	Silicone
额定电压 Rated voltage	60V max.	屏蔽 Shielding	Unshielded
绝缘电阻 Insulation resistance	≥100MΩ	机械寿命 Mechanical life	> 100 mating cycles
接触电阻 Contact resistance	≤5mΩ	—	—
运行温度 Ambient temperature	-40 ~ +85℃	—	—
防护等级 IP Class	IP67	—	—

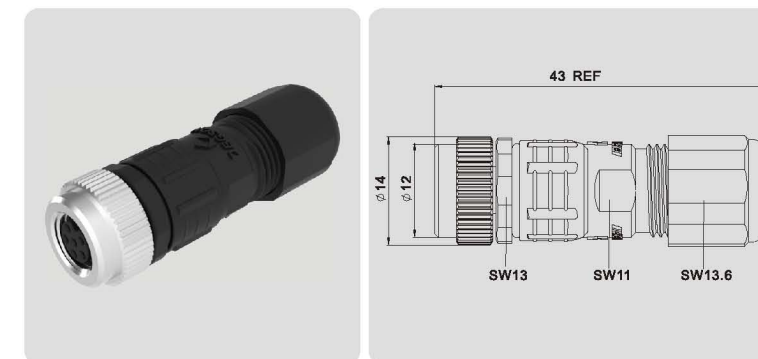
针数 Number of Pins		03 Pin	04 Pin	05 Pin	06 Pin	08 Pin
编码 Coding	编码 Coded	A-Coded	A-Coded	B-Coded	A-Coded	A-Coded
	正面图 Front View					
额定电流 Rated current	A.	3A	3A	3A	1.5A	1.5A
额定电压 Rated voltage	V.	60V	60V	30V	30V	30V
描述 Description	订单号 Order NO.	订单号 Order NO.	订单号 Order NO.	订单号 Order NO.	订单号 Order NO.	订单号 Order NO.
—	PA-M8A-03P-MM-SL7001-00AH	PA-M8A-04P-MM-SL7001-00AH	PA-M8B-05P-MM-SL7001-00AH	PA-M8A-06P-MM-SL7001-00AH	PA-M8A-08P-MM-SL7001-00AH	PA-M8A-08P-MM-SL7001-00AH

零件图 Component part drawing



M8 x 1 孔式现场组装插头。非屏蔽，焊接式，直头。

M8 x 1 Female Field Assembly Plug. Unshielded, Soldering Connection, Straight.

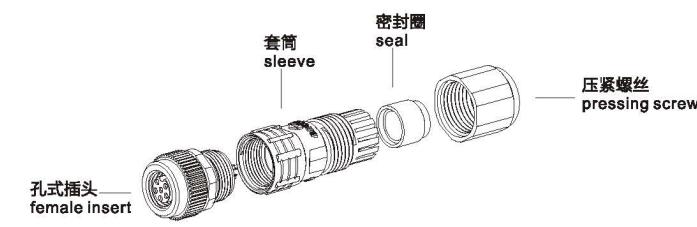


技术数据 Technical Data

标准 Standard	IEC 61076	端子载体材料 Contact carriers material	PA
系列 Series	M8, Female	端子材料 Contact material	Copper Alloy, Gold-plated
Pin针数量 Number of Pins	03,04,05,06,08 Pin	金属螺母 Metal of nut	Copper Alloy with Nickel Plated
额定电流 Rated Current	3A max.	胶圈 Seal	Silicone
额定电压 Rated voltage	60V max.	屏蔽 Shielding	Unshielded
绝缘电阻 Insulation resistance	≥100MΩ	机械寿命 Mechanical life	> 100 mating cycles
接触电阻 Contact resistance	≤5mΩ	—	—
运行温度 Ambient temperature	-40 ~ +85℃	—	—
防护等级 IP Class	IP67	—	—

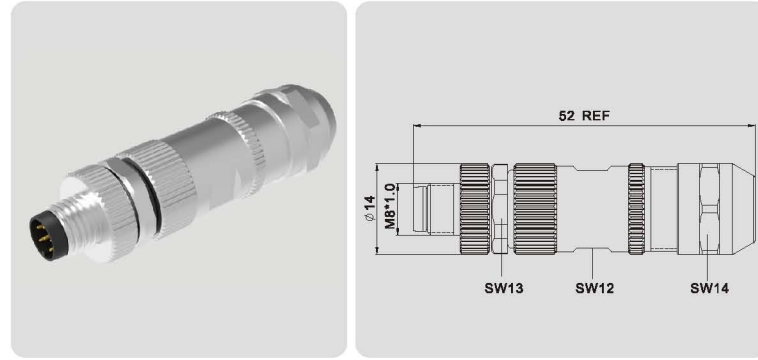
针数 Number of Pins		03 Pin	04 Pin	05 Pin	06 Pin	08 Pin
编码 Coding	编码 Coded	A-Coded	A-Coded	B-Coded	A-Coded	A-Coded
	正面图 Front View					
额定电流 Rated current	A.	3A	3A	3A	1.5A	1.5A
额定电压 Rated voltage	V.	60V	60V	30V	30V	30V
描述 Description	订单号 Order NO.	订单号 Order NO.	订单号 Order NO.	订单号 Order NO.	订单号 Order NO.	订单号 Order NO.
—	PA-M8A-03P-FF-SL7001-00AH	PA-M8A-04P-FF-SL7001-00AH	PA-M8B-05P-FF-SL7001-00AH	PA-M8A-06P-FF-SL7001-00AH	PA-M8A-08P-FF-SL7001-00AH	PA-M8A-08P-FF-SL7001-00AH

零件图 Component part drawing



M8 x 1 针式现场组装插头。屏蔽，焊接式，直头。

M8 x 1 Male Field Assembly Plug. Shielded, Soldering Connection, Straight.

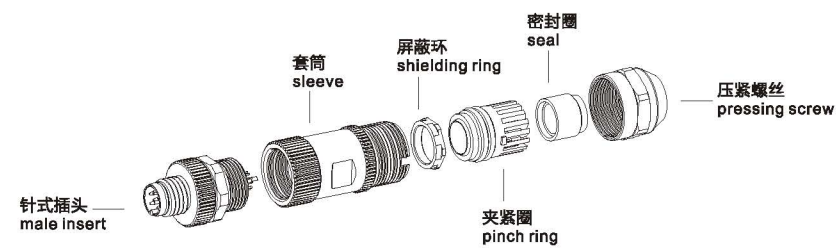


技术数据 Technical Data

标准 Standard	IEC 61076	端子载体材料 Contact carriers material	PA
系列 Series	M8, Male	端子材料 Contact material	Copper Alloy, Gold-plated
Pin针数量 Number of Pins	03,04,05,06,08Pin	金属螺母 Metal of nut	Copper Alloy with Nickel Plated
额定电流 Rated Current	3A max.	胶圈 Seal	Silicone
额定电压 Rated voltage	60V max.	屏蔽 Shielding	Shielded
绝缘电阻 Insulation resistance	≥100MΩ	机械寿命 Mechanical life	> 100 mating cycles
接触电阻 Contact resistance	≤5mΩ		
运行温度 Ambient temperature	-40 ~ +85℃		
防护等级 IP Class	IP67		

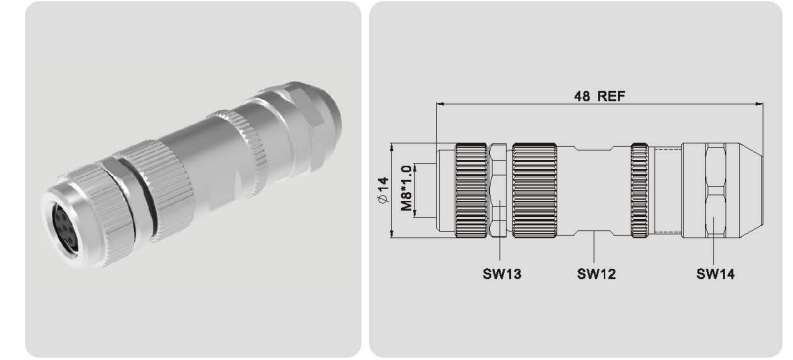
针数 Number of Pins		03 Pin	04 Pin	05 Pin	06 Pin	08 Pin
编码 Coding	编码 Coded	A-Coded	A-Coded	B-Coded	A-Coded	A-Coded
	正面图 Front View					
额定电流 Rated current	A.	3A	3A	3A	1.5A	1.5A
额定电压 Rated voltage	V.	60V	60V	30V	30V	30V
描述 Description	订单号 Order NO.	订单号 Order NO.	订单号 Order NO.	订单号 Order NO.	订单号 Order NO.	订单号 Order NO.
		PASH-M8A-03P-MM-SL7001-00AH	PASH-M8A-04P-MM-SL7001-00AH	PASH-M8B-05P-MM-SL7001-00AH	PASH-M8A-06P-MM-SL7001-00AH	PASH-M8A-08P-MM-SL7001-00AH

零件图 Component part drawing



M8 x 1 孔式现场组装插头。屏蔽，焊接式，直头。

M8 x 1 Female Field Assembly Plug. Shielded, Soldering Connection, Straight.

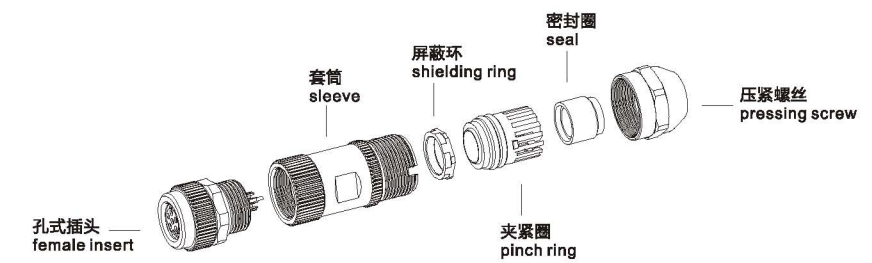


技术数据 Technical Data

标准 Standard	IEC 61076	端子载体材料 Contact carriers material	PA
系列 Series	M8, Female	端子材料 Contact material	Copper Alloy, Gold-plated
Pin针数量 Number of Pins	03,04,05,06,08 Pin	金属螺母 Metal of nut	Copper Alloy with Nickel Plated
额定电流 Rated Current	3A max.	胶圈 Seal	Silicone
额定电压 Rated voltage	60V max.	屏蔽 Shielding	Shielded
绝缘电阻 Insulation resistance	≥100MΩ	机械寿命 Mechanical life	> 100 mating cycles
接触电阻 Contact resistance	≤5mΩ		
运行温度 Ambient temperature	-40 ~ +85℃		
防护等级 IP Class	IP67		

针数 Number of Pins		03 Pin	04 Pin	05 Pin	06 Pin	08 Pin
编码 Coding	编码 Coded	A-Coded	A-Coded	B-Coded	A-Coded	A-Coded
	正面图 Front View					
额定电流 Rated current	A.	3A	3A	3A	1.5A	1.5A
额定电压 Rated voltage	V.	60V	60V	30V	30V	30V
描述 Description	订单号 Order NO.	订单号 Order NO.	订单号 Order NO.	订单号 Order NO.	订单号 Order NO.	订单号 Order NO.
		PASH-M8A-03P-FF-SL7001-00AH	PASH-M8A-04P-FF-SL7001-00AH	PASH-M8B-05P-FF-SL7001-00AH	PASH-M8A-06P-FF-SL7001-00AH	PASH-M8A-08P-FF-SL7001-00AH

零件图 Component part drawing





优势

- 密封优化, 防护性能可达IP68.
- 可选传输信号、数据、电源, 应用不同领域.
- 带不同编码的连接器, 防止错插.
- 可选全方位屏蔽, 提供可靠的电磁保护.
- 可选接线方式, 适用于持续冲击、振动的应用环境.
- 适用于各种场合的连接技术.
- 可与市场同系列连接器互配.

Advantages

- Good sealing performance, with IP class up to IP 68.
- Used in the signal transmission, data transmission, power supply etc.
- With different coding, prevent error connection.
- Shield is optional, provide reliable electromagnetic protection.
- Wire connection method is optional, suitable for continuous shock and vibration environment.
- Connection technology is suitable for all application field.
- Compatible with same series connectors on the market.

特点

- 线缆材质: PUR, PVC.
- 防护等级: IP68, IP69K.
- 编码可选.
- 屏蔽可选.
- 接线方式可选.
- 符合IEC61076标准.

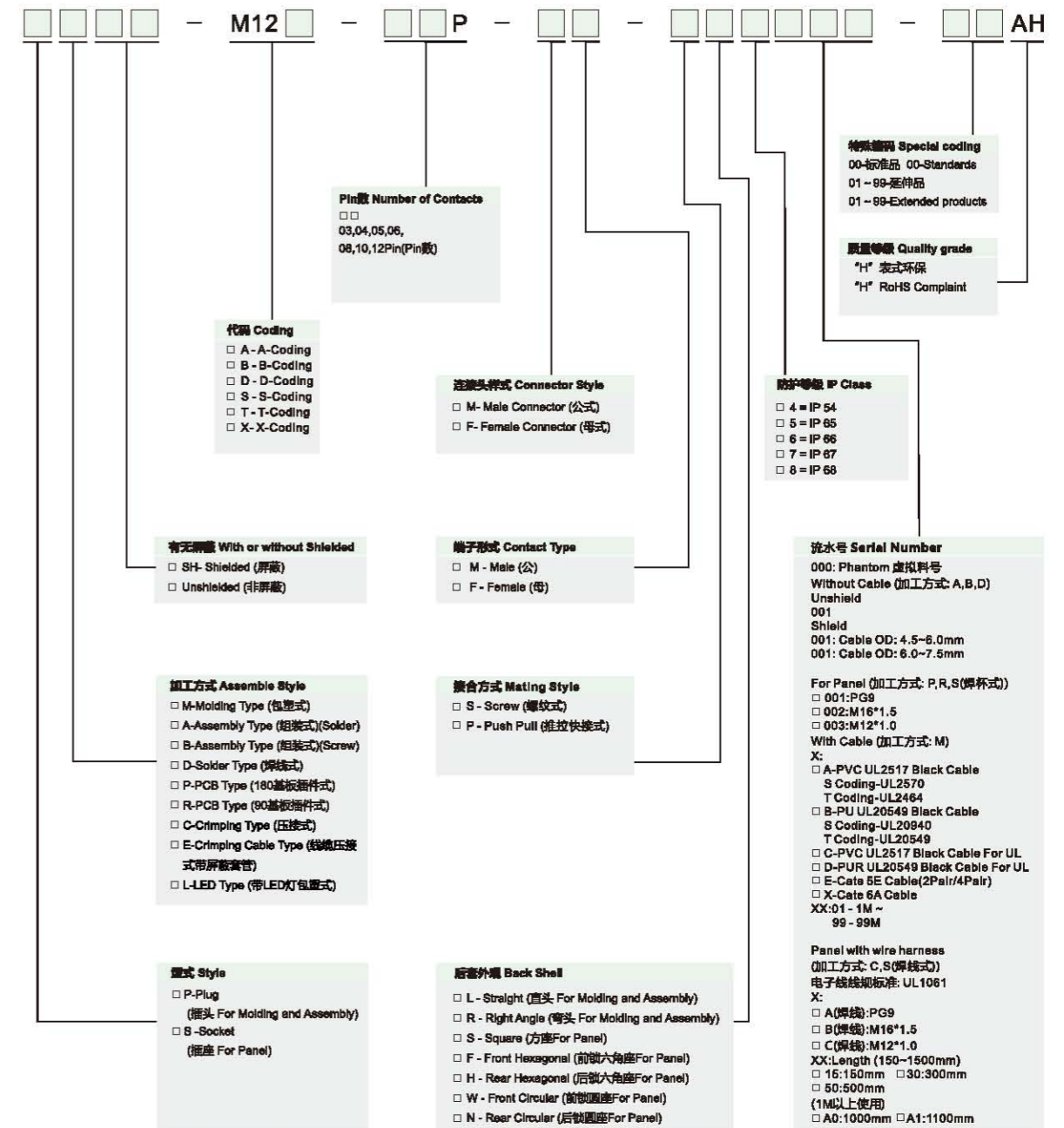
Features

- Cable material: PUR, PVC.
- IP-class: IP68, IP69K.
- Coding is optional.
- Shield is optional.
- Wire connection method is optional.
- Compliance with IEC 61076 standard.



圆形连接器编码规则 Circular Connectors Part Number

圆形连接器成品品名编码规则 Circular Connectors Part Number Reference



例如:

1. M12孔式插头5Pin: PM-M12A-05P-FF-SL8A01-00A(H)

表示: 线端包塑, M12 A-Coding, 5Pin, 母座母Pin, 螺纹锁合, 直头, 防水等级IP68, PVC黑色外被UL2517线缆, 长度1.0M, 标准品.

2. 去掉“-”、“小数点”、“()”、“空格”即为成品料号, 如: PMM12A05PFFSL8A0100AH

For example:

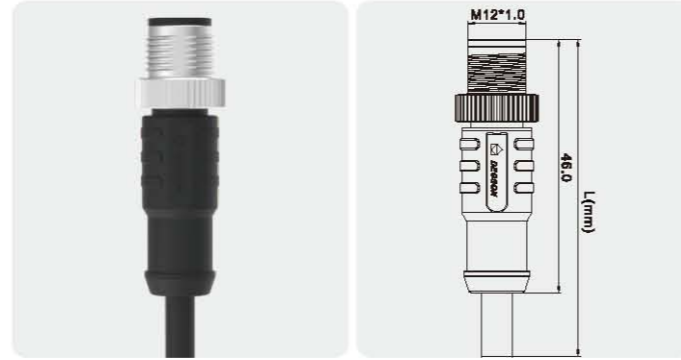
1. M12 female plug 5Pin: PM-M12A-05P-FF-SL8A01-00A(H)

Details: Plastic covered at the end of wire, M12 A-Coding, 5Pin, female socket female Pin, thread locked, straight head, IP68, PVC black kacket. Covered by UL2517 wire, the length of 1.0M, standard products.

2. Delete "-", "decimal point", "()", "space", than it's the finish product number, such as: PMM12A05PFFSL8A0100AH.

M12 x 1 针式成型电缆插头，单端，非屏蔽，直头。

M12 x 1 Male Overmolded with Cable Plug, Single end, Unshielded, Straight.



技术数据 Technical Data

标准 Standard	IEC 61076	端子载体材料 Contact carriers material	PU
系列 Series	M12, Male, Straight	端子材料 Contact material	Copper Alloy, Gold-plated
Pin针数量 Number of Pins	03,04,05,06,08,10,12 Pin	金属螺母 Metal of nut	Zinc Alloy with Nickel Plated
额定电流 Rated Current	4A max.	胶圈 Seal	Silicone
额定电压 Rated voltage	250V max.	电缆外皮材料 Cable jacket material	PUR / PVC
绝缘电阻 Insulation resistance	≥100MΩ	屏蔽 Shielding	Unshielded
接触电阻 Contact resistance	≤5mΩ	机械寿命 Mechanical life	> 100 mating cycles
运行温度 Ambient temperature	-25 ~ +80℃	—	—
防护等级 IP Class	IP68	—	—

针数 Number of Pins		03 Pin	04 Pin	05 Pin	06 Pin	08 Pin
编码 Coding	编码 Coded	A-Coded	A-Coded	A-Coded	A-Coded	A-Coded
	正面图 Front View					
额定电流 Rated current	A.	4A	4A	4A	2A	2A
额定电压 Rated voltage	V.	250V	250V	60V	30V	30V
电线/电缆 Wire/Cable	线规 Wire gauge	22AWG	22AWG	22AWG	24AWG	24AWG
	横截面 Cross section	0.34mm²	0.34mm²	0.34mm²	0.25mm²	0.25mm²
	接线表 Wiring list	1.BN 3.BU 4.BK	1.BN 2.WH 3.BU 4.BK	1.BN 2.WH 3.BU 4.BK 5.GY	1.WH 2.BN 3.GN 4.YE 5.GY 6.PK 7.BU	1.WH 2.BN 3.GN 4.YE 5.GY 6.PK 7.BU 8.RD
描述 Description	订单号 Order NO.	订单号 Order NO.	订单号 Order NO.	订单号 Order NO.	订单号 Order NO.	
PVC	1m	PM-M12A-03P-MM-SL8A01-00AH	PM-M12A-04P-MM-SL8A01-00AH	PM-M12A-05P-MM-SL8A01-00AH	PM-M12A-06P-MM-SL8A01-00AH	PM-M12A-08P-MM-SL8A01-00AH
	3m	PM-M12A-03P-MM-SL8A03-00AH	PM-M12A-04P-MM-SL8A03-00AH	PM-M12A-05P-MM-SL8A03-00AH	PM-M12A-06P-MM-SL8A03-00AH	PM-M12A-08P-MM-SL8A03-00AH
	5m	PM-M12A-03P-MM-SL8A05-00AH	PM-M12A-04P-MM-SL8A05-00AH	PM-M12A-05P-MM-SL8A05-00AH	PM-M12A-06P-MM-SL8A05-00AH	PM-M12A-08P-MM-SL8A05-00AH
	定制化 Customized
PUR	1m	PM-M12A-03P-MM-SL8B01-00AH	PM-M12A-04P-MM-SL8B01-00AH	PM-M12A-05P-MM-SL8B01-00AH	PM-M12A-06P-MM-SL8B01-00AH	PM-M12A-08P-MM-SL8B01-00AH
	3m	PM-M12A-03P-MM-SL8B03-00AH	PM-M12A-04P-MM-SL8B03-00AH	PM-M12A-05P-MM-SL8B03-00AH	PM-M12A-06P-MM-SL8B03-00AH	PM-M12A-08P-MM-SL8B03-00AH
	5m	PM-M12A-03P-MM-SL8B05-00AH	PM-M12A-04P-MM-SL8B05-00AH	PM-M12A-05P-MM-SL8B05-00AH	PM-M12A-06P-MM-SL8B05-00AH	PM-M12A-08P-MM-SL8B05-00AH
	定制化 Customized
PVC	1m	PM-M12A-03P-MM-SL8C01-00AH	PM-M12A-04P-MM-SL8C01-00AH	PM-M12A-05P-MM-SL8C01-00AH	PM-M12A-06P-MM-SL8C01-00AH	PM-M12A-08P-MM-SL8C01-00AH
	3m	PM-M12A-03P-MM-SL8C03-00AH	PM-M12A-04P-MM-SL8C03-00AH	PM-M12A-05P-MM-SL8C03-00AH	PM-M12A-06P-MM-SL8C03-00AH	PM-M12A-08P-MM-SL8C03-00AH
	5m	PM-M12A-03P-MM-SL8C05-00AH	PM-M12A-04P-MM-SL8C05-00AH	PM-M12A-05P-MM-SL8C05-00AH	PM-M12A-06P-MM-SL8C05-00AH	PM-M12A-08P-MM-SL8C05-00AH
	定制化 Customized
PUR	1m	PM-M12A-03P-MM-SL8D01-00AH	PM-M12A-04P-MM-SL8D01-00AH	PM-M12A-05P-MM-SL8D01-00AH	PM-M12A-06P-MM-SL8D01-00AH	PM-M12A-08P-MM-SL8D01-00AH
	3m	PM-M12A-03P-MM-SL8D03-00AH	PM-M12A-04P-MM-SL8D03-00AH	PM-M12A-05P-MM-SL8D03-00AH	PM-M12A-06P-MM-SL8D03-00AH	PM-M12A-08P-MM-SL8D03-00AH
	5m	PM-M12A-03P-MM-SL8D05-00AH	PM-M12A-04P-MM-SL8D05-00AH	PM-M12A-05P-MM-SL8D05-00AH	PM-M12A-06P-MM-SL8D05-00AH	PM-M12A-08P-MM-SL8D05-00AH
	定制化 Customized

M12 x 1 针式成型电缆插头，单端，非屏蔽，直头。

M12 x 1 Male Overmolded with Cable Plug, Single end, Unshielded, Straight.



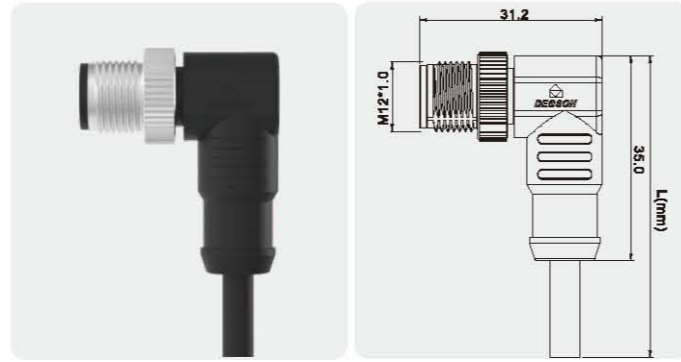
技术数据 Technical Data

标准 Standard	IEC 61076	端子载体材料 Contact carriers material	PU
系列 Series	M12, Male, Straight	端子材料 Contact material	Copper Alloy, Gold-plated
Pin针数量 Number of Pins	03,04,05,06,08,10,12 Pin	金属螺母 Metal of nut	Zinc Alloy with Nickel Plated
额定电流 Rated Current	4A max.	胶圈 Seal	Silicone
额定电压 Rated voltage	250V max.	电缆外皮材料 Cable jacket material	PUR / PVC
绝缘电阻 Insulation resistance	≥100MΩ	屏蔽 Shielding	Unshielded
接触电阻 Contact resistance	≤5mΩ	机械寿命 Mechanical life	> 100 mating cycles
运行温度 Ambient temperature	-25 ~ +80℃	—	—
防护等级 IP Class	IP68	—	—

针数 Number of Pins		10 Pin	12 Pin	05 Pin	04 Pin
编码 Coding	编码 Coded	A-Coded	A-Coded	B-Coded	D-Coded
	正面图 Front View				
额定电流 Rated current	A.	1.5A	1.5A	4A	4A
额定电压 Rated voltage	V.	30V	30V	60V	250V
电线/电缆 Wire/Cable	线规 Wire gauge	26AWG	26AWG	22AWG	22AWG
	横截面 Cross section	0.14mm²	0.14mm²	0.34mm²	0.34mm²
	接线表 Wiring list	1.BN 3.WH 5.PK 7.BK 9.RD	2.BU 4.GN 6.YW 8.GY 10.VT	1.BN 2.WH 3.BU 4.BK 5.GY	1.BN 2.WH 3.BU 4.BK
描述 Description	订单号 Order NO.	订单号 Order NO.	订单号 Order NO.	订单号 Order NO.	
PVC	1m	PM-M12A-10P-MM-SL8A01-00AH	PM-M12A-12P-MM-SL8A01-00AH	PM-M12B-05P-MM-SL8A01-00AH	PM-M12D-04P-MM-SL8A01-00AH
	3m	PM-M12A-10P-MM-SL8A03-00AH	PM-M12A-12P-MM-SL8A03-00AH	PM-M12B-05P-MM-SL8A03-00AH	PM-M12D-04P-MM-SL8A03-00AH
	5m	PM-M12A-10P-MM-SL8A05-00AH	PM-M12A-12P-MM-SL8A05-00AH	PM-M12B-05P-MM-SL8A05-00AH	PM-M12D-04P-MM-SL8A05-00AH
	定制化 Customized
PUR	1m	PM-M12A-10P-MM-SL8B01-00AH	PM-M12A-12P-MM-SL8B01-00AH	PM-M12B-05P-MM-SL8B01-00AH	PM-M12D-04P-MM-SL8B01-00AH
	3m	PM-M12A-10P-MM-SL8B03-00AH	PM-M12A-12P-MM-SL8B03-00AH	PM-M12B-05P-MM-SL8B03-00AH	PM-M12D-04P-MM-SL8B03-00AH
	5m	PM-M12A-10P-MM-SL8B05-00AH	PM-M12A-12P-MM-SL8B05-00AH	PM-M12B-05P-MM-SL8B05-00AH	PM-M12D-04P-MM-SL8B05-00AH
	定制化 Customized
PVC	1m	PM-M12A-10P-MM-SL8C01-00AH	PM-M12A-12P-MM-SL8C01-00AH	PM-M12B-05P-MM-SL8C01-00AH	PM-M12D-04P-MM-SL8C01-00AH
	3m	PM-M12A-10P-MM-SL8C03-00AH	PM-M12A-12P-MM-SL8C03-00AH	PM-M12B-05P-MM-SL8C03-00AH	PM-M12D-04P-MM-SL8C03-00AH
	5m	PM-M12A-10P-MM-SL8C05-00AH	PM-M12A-12P-MM-SL8C05-00AH	PM-M12B-05P-MM-SL8C05-00AH	PM-M12D-04P-MM-SL8C05-00AH
	定制化 Customized
PUR	1m	PM-M12A-10P-MM-SL8D01-00AH	PM-M12A-12P-MM-SL8D01-00AH	PM-M12B-05P-MM-SL8D01-00AH	PM-M12D-04P-MM-SL8D01-00AH
	3m	PM-M12A-10P-MM-SL8D03-00AH	PM-M12A-12P-MM-SL8D03-00AH	PM-M12B-05P-MM-SL8D03-00AH	PM-M12D-04P-MM-SL8D03-00AH
	5m	PM-M12A-10P-MM-SL8D05-00AH	PM-M12A-12P-MM-SL8D05-00AH	PM-M12B-05P-MM-SL8D05-00AH	PM-M12D-04P-MM-SL8D05-00AH
	定制化 Customized

M12 x 1 针式成型电缆插头，单端，非屏蔽，弯头。

M12 x 1 Male Overmolded with Cable Plug, Single end, Unshielded, Angled.



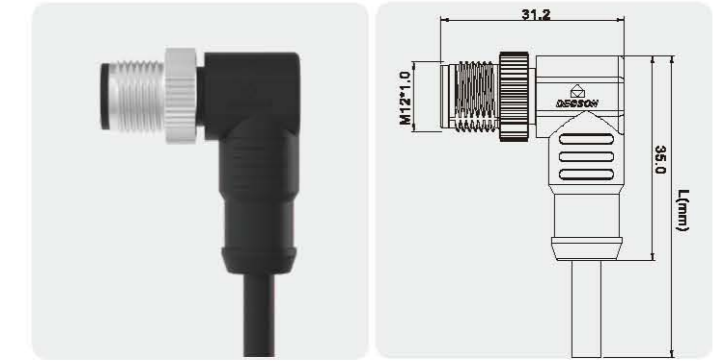
技术数据 Technical Data

标准 Standard	IEC 61076	端子载体材料 Contact carriers material	PU
系列 Series	M12, Male, Angled	端子材料 Contact material	Copper Alloy, Gold-plated
Pin针数量 Number of Pins	03,04,05,06,08,10,12 Pin	金属螺母 Metal of nut	Zinc Alloy with Nickel Plated
额定电流 Rated Current	4A max.	胶圈 Seal	Silicone
额定电压 Rated voltage	250V max.	电缆外皮材料 Cable jacket material	PUR / PVC
绝缘电阻 Insulation resistance	≥100MΩ	屏蔽 Shielding	Unshielded
接触电阻 Contact resistance	≤5mΩ	机械寿命 Mechanical life	> 100 mating cycles
运行温度 Ambient temperature	-25 ~ +80°C	—	—
防护等级 IP Class	IP68	—	—

针数 Number of Pins		03 Pin	04 Pin	05 Pin	06 Pin	08 Pin
编码 Coding	编码 Coded	A-Coded	A-Coded	A-Coded	A-Coded	A-Coded
	正面图 Front View					
额定电流 Rated current	A.	4A	4A	4A	2A	2A
额定电压 Rated voltage	V.	250V	250V	60V	30V	30V
电线规格 Wire/Cable	线规 Wire gauge	22AWG	22AWG	22AWG	24AWG	24AWG
	横截面 Cross section	0.34mm²	0.34mm²	0.34mm²	0.25mm²	0.25mm²
	接线表 Wiring list	1.BN 3.BU 4.BK	1.BN 2.WH 3.BU 4.BK	1.BN 2.WH 3.BU 4.BK 5.GY	1.WH 2.BN 3.GN 4.YE 5.PK 6.PK 7.BU 8.RD	1.WH 2.BN 3.GN 4.YE 5.GY 6.PK 7.BU 8.RD
描述 Description	订单号 Order NO.	订单号 Order NO.	订单号 Order NO.	订单号 Order NO.	订单号 Order NO.	
PVC	1m	PM-M12A-03P-MM-SR8A01-00AH	PM-M12A-04P-MM-SR8A01-00AH	PM-M12A-05P-MM-SR8A01-00AH	PM-M12A-06P-MM-SR8A01-00AH	PM-M12A-08P-MM-SR8A01-00AH
	3m	PM-M12A-03P-MM-SR8A03-00AH	PM-M12A-04P-MM-SR8A03-00AH	PM-M12A-05P-MM-SR8A03-00AH	PM-M12A-06P-MM-SR8A03-00AH	PM-M12A-08P-MM-SR8A03-00AH
	5m	PM-M12A-03P-MM-SR8A05-00AH	PM-M12A-04P-MM-SR8A05-00AH	PM-M12A-05P-MM-SR8A05-00AH	PM-M12A-06P-MM-SR8A05-00AH	PM-M12A-08P-MM-SR8A05-00AH
	定制化 Customized
PUR	1m	PM-M12A-03P-MM-SR8B01-00AH	PM-M12A-04P-MM-SR8B01-00AH	PM-M12A-05P-MM-SR8B01-00AH	PM-M12A-06P-MM-SR8B01-00AH	PM-M12A-08P-MM-SR8B01-00AH
	3m	PM-M12A-03P-MM-SR8B03-00AH	PM-M12A-04P-MM-SR8B03-00AH	PM-M12A-05P-MM-SR8B03-00AH	PM-M12A-06P-MM-SR8B03-00AH	PM-M12A-08P-MM-SR8B03-00AH
	5m	PM-M12A-03P-MM-SR8B05-00AH	PM-M12A-04P-MM-SR8B05-00AH	PM-M12A-05P-MM-SR8B05-00AH	PM-M12A-06P-MM-SR8B05-00AH	PM-M12A-08P-MM-SR8B05-00AH
	定制化 Customized
PVC	1m	PM-M12A-03P-MM-SR8C01-00AH	PM-M12A-04P-MM-SR8C01-00AH	PM-M12A-05P-MM-SR8C01-00AH	PM-M12A-06P-MM-SR8C01-00AH	PM-M12A-08P-MM-SR8C01-00AH
	3m	PM-M12A-03P-MM-SR8C03-00AH	PM-M12A-04P-MM-SR8C03-00AH	PM-M12A-05P-MM-SR8C03-00AH	PM-M12A-06P-MM-SR8C03-00AH	PM-M12A-08P-MM-SR8C03-00AH
	5m	PM-M12A-03P-MM-SR8C05-00AH	PM-M12A-04P-MM-SR8C05-00AH	PM-M12A-05P-MM-SR8C05-00AH	PM-M12A-06P-MM-SR8C05-00AH	PM-M12A-08P-MM-SR8C05-00AH
	定制化 Customized
PUR	1m	PM-M12A-03P-MM-SR8D01-00AH	PM-M12A-04P-MM-SR8D01-00AH	PM-M12A-05P-MM-SR8D01-00AH	PM-M12A-06P-MM-SR8D01-00AH	PM-M12A-08P-MM-SR8D01-00AH
	3m	PM-M12A-03P-MM-SR8D03-00AH	PM-M12A-04P-MM-SR8D03-00AH	PM-M12A-05P-MM-SR8D03-00AH	PM-M12A-06P-MM-SR8D03-00AH	PM-M12A-08P-MM-SR8D03-00AH
	5m	PM-M12A-03P-MM-SR8D05-00AH	PM-M12A-04P-MM-SR8D05-00AH	PM-M12A-05P-MM-SR8D05-00AH	PM-M12A-06P-MM-SR8D05-00AH	PM-M12A-08P-MM-SR8D05-00AH
	定制化 Customized

M12 x 1 针式成型电缆插头，单端，非屏蔽，弯头。

M12 x 1 Male Overmolded with Cable Plug, Single end, Unshielded, Angled.



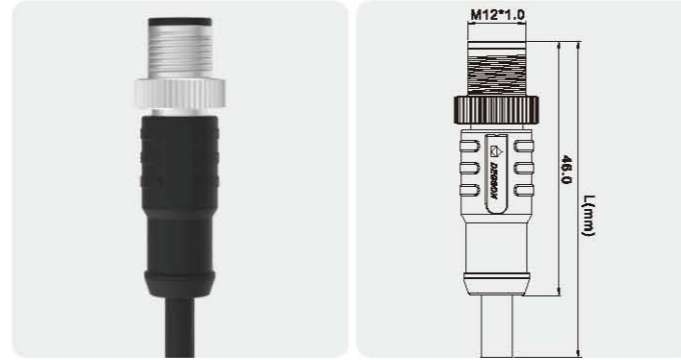
技术数据 Technical Data

标准 Standard	IEC 61076	端子载体材料 Contact carriers material	PU
系列 Series	M12, Male, Angled	端子材料 Contact material	Copper Alloy, Gold-plated
Pin针数量 Number of Pins	03,04,05,06,08,10,12 Pin	金属螺母 Metal of nut	Zinc Alloy with Nickel Plated
额定电流 Rated Current	4A max.	胶圈 Seal	Silicone
额定电压 Rated voltage	250V max.	电缆外皮材料 Cable jacket material	PUR / PVC
绝缘电阻 Insulation resistance	≥100MΩ	屏蔽 Shielding	Unshielded
接触电阻 Contact resistance	≤5mΩ	机械寿命 Mechanical life	> 100 mating cycles
运行温度 Ambient temperature	-25 ~ +80°C	—	—
防护等级 IP Class	IP68	—	—

针数 Number of Pins		10 Pin	12 Pin	05 Pin	04 Pin
编码 Coding	编码 Coded	A-Coded	A-Coded	B-Coded	D-Coded
	正面图 Front View				
额定电流 Rated current	A.	1.5A	1.5A	4A	4A
额定电压 Rated voltage	V.	30V	30V	60V	250V
电线规格 Wire/Cable	线规 Wire gauge	26AWG	26AWG	22AWG	22AWG
	横截面 Cross section	0.14mm²	0.14mm²	0.34mm²	0.34mm²
	接线表 Wiring list	1.BN 3.WH 5.PK 7.BK 9.RD	2.BU 4.GN 6.YW 8.GY 10.VT	1.BN 2.WH 3.BU 4.BK 5.GY	1.BN 2.WH 3.BU 4.BK
描述 Description	订单号 Order NO.	订单号 Order NO.	订单号 Order NO.	订单号 Order NO.	
PVC	1m	PM-M12A-10P-MM-SR8A01-00AH	PM-M12A-12P-MM-SR8A01-00AH	PM-M12B-05P-MM-SR8B01-00AH	PM-M12D-04P-MM-SR8B01-00AH
	3m	PM-M12A-10P-MM-SR8A03-00AH	PM-M12A-12P-MM-SR8A03-00AH	PM-M12B-05P-MM-SR8B03-00AH	PM-M12D-04P-MM-SR8B03-00AH
	5m	PM-M12A-10P-MM-SR8A05-00AH	PM-M12A-12P-MM-SR8A05-00AH	PM-M12B-05P-MM-SR8B05-00AH	PM-M12D-04P-MM-SR8B05-00AH
	定制化 Customized
PUR	1m	PM-M12A-10P-MM-SR8B01-00AH	PM-M12A-12P-MM-SR8B01-00AH	PM-M12B-05P-MM-SR8B01-00AH	PM-M12D-04P-MM-SR8B01-00AH
	3m	PM-M12A-10P-MM-SR8B03-00AH	PM-M12A-12P-MM-SR8B03-00AH	PM-M12B-05P-MM-SR8B03-00AH	PM-M12D-04P-MM-SR8B03-00AH
	5m	PM-M12A-10P-MM-SR8B05-00AH	PM-M12A-12P-MM-SR8B05-00AH	PM-M12B-05P-MM-SR8B05-00AH	PM-M12D-04P-MM-SR8B05-00AH
	定制化 Customized
PVC	1m	PM-M12A-10P-MM-SR8C01-00AH	PM-M12A-12P-MM-SR8C01-00AH	PM-M12B-05P-MM-SR8C01-00AH	PM-M12D-04P-MM-SR8C01-00AH
	3m	PM-M12A-10P-MM-SR8C03-00AH	PM-M12A-12P-MM-SR8C03-00AH	PM-M12B-05P-MM-SR8C03-00AH	PM-M12D-04P-MM-SR8C03-00AH
	5m	PM-M12A-10P-MM-SR8C05-00AH	PM-M12A-12P-MM-SR8C05-00AH	PM-M12B-05P-MM-SR8C05-00AH	PM-M12D-04P-MM-SR8C05-00AH
	定制化 Customized
PUR	1m	PM-M12A-10P-MM-SR8D01-00AH	PM-M12A-12P-MM-SR8D01-00AH	PM-M12B-05P-MM-SR8D01-00AH	PM-M12D-04P-MM-SR8D01-00AH
	3m	PM-M12A-10P-MM-SR8D03-00AH	PM-M12A-12P-MM-SR8D03-00AH	PM-M12B-05P-MM-SR8D03-00AH	PM-M12D-04P-MM-SR8D03-00AH
	5m	PM-M12A-10P-MM-SR8D05-00AH	PM-M12A-12P-MM-SR8D05-00AH	PM-M12B-05P-MM-SR8D05-00AH	PM-M12D-04P-MM-SR8D05-00AH
	定制化 Customized

M12 x 1 针式成型电缆插头，单端，屏蔽，直头。

M12 x 1 Male Overmolded with Cable Plug, Single end, Shielded, Straight.



技术数据 Technical Data

标准 Standard	IEC 61076	端子载体材料 Contact carriers material	PA
系列 Series	M12, Male, Straight	端子材料 Contact material	Copper Alloy, Gold-plated
Pin针数量 Number of Pins	03,04,05,06,08,10,12 Pin	金属螺母 Metal of nut	Zinc Alloy with Nickel Plated
额定电流 Rated Current	4A max.	胶圈 Seal	Silicone
额定电压 Rated voltage	250V max.	电缆外皮材料 Cable jacket material	PUR / PVC
绝缘电阻 Insulation resistance	≥100MΩ	屏蔽 Shielding	Shielded
接触电阻 Contact resistance	≤5mΩ	机械寿命 Mechanical life	> 100 mating cycles
运行温度 Ambient temperature	-25 ~ +80℃	—	—
防护等级 IP Class	IP68	—	—

针数 Number of Pins		03 Pin	04 Pin	05 Pin	06 Pin	08 Pin
编码 Coding	编码 Coded	A-Coded	A-Coded	A-Coded	A-Coded	A-Coded
	正面图 Front View					
额定电流 Rated current	A.	4A	4A	4A	2A	2A
额定电压 Rated voltage	V.	250V	250V	60V	30V	30V
电线规格 Wire/Cable	线规 Wire gauge	22AWG	22AWG	22AWG	24AWG	24AWG
	横截面 Cross section	0.34mm²	0.34mm²	0.34mm²	0.25mm²	0.25mm²
	接线表 Wiring list	1.BN 3.BU 4.BK	1.BN 2.WH 3.BU 4.BK	1.BN 2.WH 3.BU 4.BK 5.GY	1.WH 2.BN 3.GN 4.YE 5.GY 6.PK 7.BU 8.RD	1.WH 2.BN 3.GN 4.YE 5.GY 6.PK 7.BU 8.RD
描述 Description	订单号 Order NO.	订单号 Order NO.	订单号 Order NO.	订单号 Order NO.	订单号 Order NO.	
PVC	1m	PMSH-M12A-03P-MM-SL8A01-00AH	PMSH-M12A-04P-MM-SL8A01-00AH	PMSH-M12A-05P-MM-SL8A01-00AH	PMSH-M12A-06P-MM-SL8A01-00AH	PMSH-M12A-08P-MM-SL8A01-00AH
	3m	PMSH-M12A-03P-MM-SL8A03-00AH	PMSH-M12A-04P-MM-SL8A03-00AH	PMSH-M12A-05P-MM-SL8A03-00AH	PMSH-M12A-06P-MM-SL8A03-00AH	PMSH-M12A-08P-MM-SL8A03-00AH
	5m	PMSH-M12A-03P-MM-SL8A05-00AH	PMSH-M12A-04P-MM-SL8A05-00AH	PMSH-M12A-05P-MM-SL8A05-00AH	PMSH-M12A-06P-MM-SL8A05-00AH	PMSH-M12A-08P-MM-SL8A05-00AH
	定制化 Customized
PUR	1m	PMSH-M12A-03P-MM-SL8B01-00AH	PMSH-M12A-04P-MM-SL8B01-00AH	PMSH-M12A-05P-MM-SL8B01-00AH	PMSH-M12A-06P-MM-SL8B01-00AH	PMSH-M12A-08P-MM-SL8B01-00AH
	3m	PMSH-M12A-03P-MM-SL8B03-00AH	PMSH-M12A-04P-MM-SL8B03-00AH	PMSH-M12A-05P-MM-SL8B03-00AH	PMSH-M12A-06P-MM-SL8B03-00AH	PMSH-M12A-08P-MM-SL8B03-00AH
	5m	PMSH-M12A-03P-MM-SL8B05-00AH	PMSH-M12A-04P-MM-SL8B05-00AH	PMSH-M12A-05P-MM-SL8B05-00AH	PMSH-M12A-06P-MM-SL8B05-00AH	PMSH-M12A-08P-MM-SL8B05-00AH
	定制化 Customized
PVC	1m	PMSH-M12A-03P-MM-SL8C01-00AH	PMSH-M12A-04P-MM-SL8C01-00AH	PMSH-M12A-05P-MM-SL8C01-00AH	PMSH-M12A-06P-MM-SL8C01-00AH	PMSH-M12A-08P-MM-SL8C01-00AH
	3m	PMSH-M12A-03P-MM-SL8C03-00AH	PMSH-M12A-04P-MM-SL8C03-00AH	PMSH-M12A-05P-MM-SL8C03-00AH	PMSH-M12A-06P-MM-SL8C03-00AH	PMSH-M12A-08P-MM-SL8C03-00AH
	5m	PMSH-M12A-03P-MM-SL8C05-00AH	PMSH-M12A-04P-MM-SL8C05-00AH	PMSH-M12A-05P-MM-SL8C05-00AH	PMSH-M12A-06P-MM-SL8C05-00AH	PMSH-M12A-08P-MM-SL8C05-00AH
	定制化 Customized
PUR	1m	PMSH-M12A-03P-MM-SL8D01-00AH	PMSH-M12A-04P-MM-SL8D01-00AH	PMSH-M12A-05P-MM-SL8D01-00AH	PMSH-M12A-06P-MM-SL8D01-00AH	PMSH-M12A-08P-MM-SL8D01-00AH
	3m	PMSH-M12A-03P-MM-SL8D03-00AH	PMSH-M12A-04P-MM-SL8D03-00AH	PMSH-M12A-05P-MM-SL8D03-00AH	PMSH-M12A-06P-MM-SL8D03-00AH	PMSH-M12A-08P-MM-SL8D03-00AH
	5m	PMSH-M12A-03P-MM-SL8D05-00AH	PMSH-M12A-04P-MM-SL8D05-00AH	PMSH-M12A-05P-MM-SL8D05-00AH	PMSH-M12A-06P-MM-SL8D05-00AH	PMSH-M12A-08P-MM-SL8D05-00AH
	定制化 Customized

M12 x 1 针式成型电缆插头，单端，屏蔽，直头。

M12 x 1 Male Overmolded with Cable Plug, Single end, Shielded, Straight.



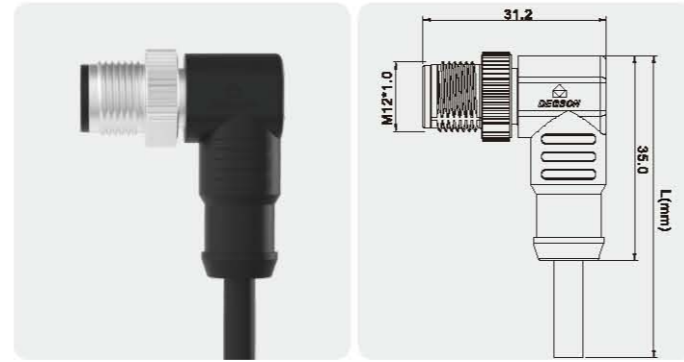
技术数据 Technical Data

标准 Standard	IEC 61076	端子载体材料 Contact carriers material	PA
系列 Series	M12, Male, Straight	端子材料 Contact material	Copper Alloy, Gold-plated
Pin针数量 Number of Pins	03,04,05,06,08,10,12 Pin	金属螺母 Metal of nut	Zinc Alloy with Nickel Plated
额定电流 Rated Current	4A max.	胶圈 Seal	Silicone
额定电压 Rated voltage	250V max.	电缆外皮材料 Cable jacket material	PUR / PVC
绝缘电阻 Insulation resistance	≥100MΩ	屏蔽 Shielding	Shielded
接触电阻 Contact resistance	≤5mΩ	机械寿命 Mechanical life	> 100 mating cycles
运行温度 Ambient temperature	-25 ~ +80℃	—	—
防护等级 IP Class	IP68	—	—

针数 Number of Pins		10 Pin	12 Pin	05 Pin	04 Pin
编码 Coding	编码 Coded	A-Coded	A-Coded	B-Coded	D-Coded
	正面图 Front View				
额定电流 Rated current	A.	1.5A	1.5A	4A	4A
额定电压 Rated voltage	V.	30V	30V	60V	250V
电线规格 Wire/Cable	线规 Wire gauge	26AWG	26AWG	22AWG	22AWG
	横截面 Cross section	0.14mm²	0.14mm²	0.34mm²	0.34mm²
	接线表 Wiring list	1.BN 3.WH 5.PK 7.BK 9.RD	2.BU 4.GN 6.YW 8.GY 10.VT	1.BN 2.WH 3.BU 4.BK 5.GY	1.YW 2.WH 3.OG 4.BU
描述 Description	订单号 Order NO.	订单号 Order NO.	订单号 Order NO.	订单号 Order NO.	
PVC	1m	PMSH-M12A-10P-MM-SL8A01-00AH	PMSH-M12A-12P-MM-SL8A01-00AH	PMSH-M12B-05P-MM-SL8B01-00AH	PMSH-M12D-04P-MM-SL8D01-00AH
	3m	PMSH-M12A-10P-MM-SL8A03-00AH	PMSH-M12A-12P-MM-SL8A03-00AH	PMSH-M12B-05P-MM-SL8B03-00AH	PMSH-M12D-04P-MM-SL8D03-00AH
	5m	PMSH-M12A-10P-MM-SL8A05-00AH	PMSH-M12A-12P-MM-SL8A05-00AH	PMSH-M12B-05P-MM-SL8B05-00AH	PMSH-M12D-04P-MM-SL8D05-00AH
	定制化 Customized
PUR	1m	PMSH-M12A-10P-MM-SL8B01-00AH	PMSH-M12A-12P-MM-SL8B01-00AH	PMSH-M12B-05P-MM-SL8B01-00AH	PMSH-M12D-04P-MM-SL8D01-00AH
	3m	PMSH-M12A-10P-MM-SL8B03-00AH	PMSH-M12A-12P-MM-SL8B03-00AH	PMSH-M12B-05P-MM-SL8B03-00AH	PMSH-M12D-04P-MM-SL8D03-00AH
	5m	PMSH-M12A-10P-MM-SL8B05-00AH	PMSH-M12A-12P-MM-SL8B05-00AH	PMSH-M12B-05P-MM-SL8B05-00AH	PMSH-M12D-04P-MM-SL8D05-00AH
	定制化 Customized
PVC	1m	PMSH-M12A-10P-MM-SL8C01-00AH	PMSH-M12A-12P-MM-SL8C01-00AH	PMSH-M12B-05P-MM-SL8C01-00AH	PMSH-M12D-04P-MM-SL8D01-00AH
	3m	PMSH-M12A-10P-MM-SL8C03-00AH	PMSH-M12A-12P-MM-SL8C03-00AH	PMSH-M12B-05P-MM-SL8C03-00AH	PMSH-M12D-04P-MM-SL8D03-00AH
	5m	PMSH-M12A-10P-MM-SL8C05-00AH	PMSH-M12A-12P-MM-SL8C05-00AH	PMSH-M12B-05P-MM-SL8C05-00AH	PMSH-M12D-04P-MM-SL8D05-00AH
	定制化 Customized
PUR	1m	PMSH-M12A-10P-MM-SL8D01-00AH	PMSH-M12A-12P-MM-SL8D01-00AH	PMSH-M12B-05P-MM-SL8D01-00AH	PMSH-M12D-04P-MM-SL8D01-00AH
	3m	PMSH-M12A-10P-MM-SL8D03-00AH	PMSH-M12A-12P-MM-SL8D03-00AH	PMSH-M12B-05P-MM-SL8D03-00AH	PMSH-M12D-04P-MM-SL8D03-00AH
	5m	PMSH-M12A-10P-MM-SL8D05-00AH	PMSH-M12A-12P-MM-SL8D05-00AH	PMSH-M12B-05P-MM-SL8D05-00AH	PMSH-M12D-04P-MM-SL8D05-00AH
	定制化 Customized

M12 x 1 针式成型电缆插头，单端，屏蔽，弯头。

M12 x 1 Male, Overmolded with Cable Plug, Single end, Shielded, Angled.

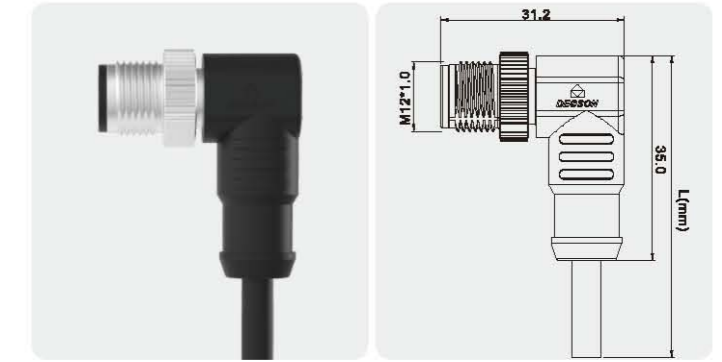

技术数据 Technical Data

标准 Standard	IEC 61078	端子载体材料 Contact carriers material	PA
系列 Series	M12, Male, Angled	端子材料 Contact material	Copper Alloy, Gold-plated
Pin针数量 Number of Pins	03,04,05,06,08,10,12 Pin	金属螺母 Metal of nut	Zinc Alloy with Nickel Plated
额定电流 Rated Current	4A max.	胶圈 Seal	Silicone
额定电压 Rated voltage	250V max.	电缆外皮材料 Cable jacket material	PUR / PVC
绝缘电阻 Insulation resistance	≥100MΩ	屏蔽 Shielding	Shielded
接触电阻 Contact resistance	≤5mΩ	机械寿命 Mechanical life	> 100 mating cycles
运行温度 Ambient temperature	-25 ~ +80°C	—	—
防护等级 IP Class	IP68	—	—

针数 Number of Pins		03 Pin	04 Pin	05 Pin	06 Pin	08 Pin
编码 Coding	编码 Coded	A-Coded	A-Coded	A-Coded	A-Coded	A-Coded
	正面图 Front View					
额定电流 Rated current	A.	4A	4A	4A	2A	2A
额定电压 Rated voltage	V.	250V	250V	60V	30V	30V
电线电缆 Wire/Cable	线规 Wire gauge	22AWG	22AWG	22AWG	24AWG	24AWG
	横截面 Cross section	0.34mm ²	0.34mm ²	0.34mm ²	0.25mm ²	0.25mm ²
	接线表 Wiring list	1.BN 3.BU 4.BK	1.BN 2.WH 3.BU 4.BK	1.BN 2.WH 3.BU 4.BK 5.GY	1.WH 2.BN 3.GN 4.YE 5.GY 6.PK 7.BU 8.RD	1.WH 2.BN 3.GN 4.YE 5.GY 6.PK 7.BU 8.RD
描述 Description	订单号 Order NO.	订单号 Order NO.	订单号 Order NO.	订单号 Order NO.	订单号 Order NO.	订单号 Order NO.
PVC	1m	PMSH-M12A-03P-MM-SR8A01-00AH	PMSH-M12A-04P-MM-SR8A01-00AH	PMSH-M12A-05P-MM-SR8A01-00AH	PMSH-M12A-06P-MM-SR8A01-00AH	PMSH-M12A-08P-MM-SR8A01-00AH
	3m	PMSH-M12A-03P-MM-SR8A03-00AH	PMSH-M12A-04P-MM-SR8A03-00AH	PMSH-M12A-05P-MM-SR8A03-00AH	PMSH-M12A-06P-MM-SR8A03-00AH	PMSH-M12A-08P-MM-SR8A03-00AH
	5m	PMSH-M12A-03P-MM-SR8A05-00AH	PMSH-M12A-04P-MM-SR8A05-00AH	PMSH-M12A-05P-MM-SR8A05-00AH	PMSH-M12A-06P-MM-SR8A05-00AH	PMSH-M12A-08P-MM-SR8A05-00AH
	定制化 Customized
PUR	1m	PMSH-M12A-03P-MM-SR8B01-00AH	PMSH-M12A-04P-MM-SR8B01-00AH	PMSH-M12A-05P-MM-SR8B01-00AH	PMSH-M12A-06P-MM-SR8B01-00AH	PMSH-M12A-08P-MM-SR8B01-00AH
	3m	PMSH-M12A-03P-MM-SR8B03-00AH	PMSH-M12A-04P-MM-SR8B03-00AH	PMSH-M12A-05P-MM-SR8B03-00AH	PMSH-M12A-06P-MM-SR8B03-00AH	PMSH-M12A-08P-MM-SR8B03-00AH
	5m	PMSH-M12A-03P-MM-SR8B05-00AH	PMSH-M12A-04P-MM-SR8B05-00AH	PMSH-M12A-05P-MM-SR8B05-00AH	PMSH-M12A-06P-MM-SR8B05-00AH	PMSH-M12A-08P-MM-SR8B05-00AH
	定制化 Customized
PVC	1m	PMSH-M12A-03P-MM-SR8C01-00AH	PMSH-M12A-04P-MM-SR8C01-00AH	PMSH-M12A-05P-MM-SR8C01-00AH	PMSH-M12A-06P-MM-SR8C01-00AH	PMSH-M12A-08P-MM-SR8C01-00AH
	3m	PMSH-M12A-03P-MM-SR8C03-00AH	PMSH-M12A-04P-MM-SR8C03-00AH	PMSH-M12A-05P-MM-SR8C03-00AH	PMSH-M12A-06P-MM-SR8C03-00AH	PMSH-M12A-08P-MM-SR8C03-00AH
	5m	PMSH-M12A-03P-MM-SR8C05-00AH	PMSH-M12A-04P-MM-SR8C05-00AH	PMSH-M12A-05P-MM-SR8C05-00AH	PMSH-M12A-06P-MM-SR8C05-00AH	PMSH-M12A-08P-MM-SR8C05-00AH
	定制化 Customized
PUR	1m	PMSH-M12A-03P-MM-SR8D01-00AH	PMSH-M12A-04P-MM-SR8D01-00AH	PMSH-M12A-05P-MM-SR8D01-00AH	PMSH-M12A-06P-MM-SR8D01-00AH	PMSH-M12A-08P-MM-SR8D01-00AH
	3m	PMSH-M12A-03P-MM-SR8D03-00AH	PMSH-M12A-04P-MM-SR8D03-00AH	PMSH-M12A-05P-MM-SR8D03-00AH	PMSH-M12A-06P-MM-SR8D03-00AH	PMSH-M12A-08P-MM-SR8D03-00AH
	5m	PMSH-M12A-03P-MM-SR8D05-00AH	PMSH-M12A-04P-MM-SR8D05-00AH	PMSH-M12A-05P-MM-SR8D05-00AH	PMSH-M12A-06P-MM-SR8D05-00AH	PMSH-M12A-08P-MM-SR8D05-00AH
	定制化 Customized

M12 x 1 针式成型电缆插头，单端，屏蔽，弯头。

M12 x 1 Male, Overmolded with Cable Plug, Single end, Shielded, Angled.

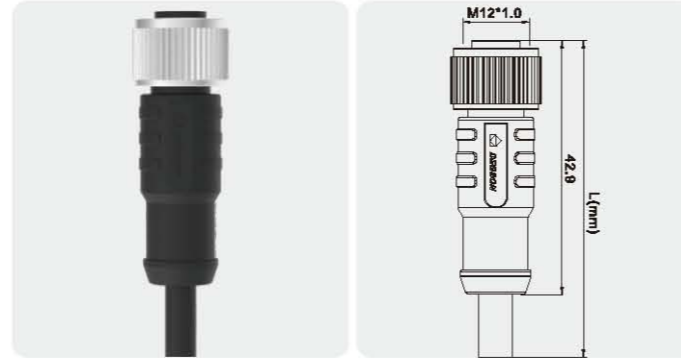

技术数据 Technical Data

标准 Standard	IEC 61078	端子载体材料 Contact carriers material	PA
系列 Series	M12, Male, Angled	端子材料 Contact material	Copper Alloy, Gold-plated
Pin针数量 Number of Pins	03,04,05,06,08,10,12 Pin	金属螺母 Metal of nut	Zinc Alloy with Nickel Plated
额定电流 Rated Current	4A max.	胶圈 Seal	Silicone
额定电压 Rated voltage	250V max.	电缆外皮材料 Cable jacket material	PUR / PVC
绝缘电阻 Insulation resistance	≥100MΩ	屏蔽 Shielding	Shielded
接触电阻 Contact resistance	≤5mΩ	机械寿命 Mechanical life	> 100 mating cycles
运行温度 Ambient temperature	-25 ~ +80°C	—	—
防护等级 IP Class	IP68	—	—

针数 Number of Pins		10 Pin	12 Pin	05 Pin	04 Pin
编码 Coding	编码 Coded	A-Coded	A-Coded	B-Coded	D-Coded
	正面图 Front View				
额定电流 Rated current	A.	1.5A	1.5A	4A	4A
额定电压 Rated voltage	V.	30V	30V	60V	250V
电线电缆 Wire/Cable	线规 Wire gauge	26AWG	26AWG	22AWG	22AWG
	横截面 Cross section	0.14mm ²	0.14mm ²	0.34mm ²	0.34mm ²
	接线表 Wiring list	1.BN 3.WH 7.BK 9.RD	2.BU 4.GN 6.YW 8.GY 10.VT	1.BN 2.WH 3.BU 4.BK 5.GY	1.YW 2.WH 3.OG 4.BU
描述 Description	订单号 Order NO.	订单号 Order NO.	订单号 Order NO.	订单号 Order NO.	订单号 Order NO.
PVC	1m	PMSH-M12A-10P-MM-SR8A01-00AH	PMSH-M12A-12P-MM-SR8A01-00AH	PMSH-M12B-05P-MM-SR8B01-00AH	PMSH-M12D-04P-MM-SR8B01-00AH
	3m	PMSH-M12A-10P-MM-SR8A03-00AH	PMSH-M12A-12P-MM-SR8A03-00AH	PMSH-M12B-05P-MM-SR8B03-00AH	PMSH-M12D-04P-MM-SR8B03-00AH
	5m	PMSH-M12A-10P-MM-SR8A05-00AH	PMSH-M12A-12P-MM-SR8A05-00AH	PMSH-M12B-05P-MM-SR8B05-00AH	PMSH-M12D-04P-MM-SR8B05-00AH
	定制化 Customized
PUR	1m	PMSH-M12A-10P-MM-SR8B01-00AH	PMSH-M12A-12P-MM-SR8B01-00AH	PMSH-M12B-05P-MM-SR8B01-00AH	PMSH-M12D-04P-MM-SR8B01-00AH
	3m	PMSH-M12A-10P-MM-SR8B03-00AH	PMSH-M12A-12P-MM-SR8B03-00AH	PMSH-M12B-05P-MM-SR8B03-00AH	PMSH-M12D-04P-MM-SR8B03-00AH
	5m	PMSH-M12A-10P-MM-SR8B05-00AH	PMSH-M12A-12P-MM-SR8B05-00AH	PMSH-M12B-05P-MM-SR8B05-00AH	PMSH-M12D-04P-MM-SR8B05-00AH
	定制化 Customized
PVC	1m	PMSH-M12A-10P-MM-SR8C01-00AH	PMSH-M12A-12P-MM-SR8C01-00AH	PMSH-M12B-05P-MM-SR8C01-00AH	PMSH-M12D-04P-MM-SR8C01-00AH
	3m	PMSH-M12A-10P-MM-SR8C03-00AH	PMSH-M12A-12P-MM-SR8C03-00AH	PMSH-M12B-05P-MM-SR8C03-00AH	PMSH-M12D-04P-MM-SR8C03-00AH
	5m	PMSH-M12A-10P-MM-SR8C05-00AH	PMSH-M12A-12P-MM-SR8C05-00AH	PMSH-M12B-05P-MM-SR8C05-00AH	PMSH-M12D-04P-MM-SR8C05-00AH
	定制化 Customized
PUR	1m	PMSH-M12A-10P-MM-SR8D01-00AH	PMSH-M12A-12P-MM-SR8D01-00AH	PMSH-M12B-05P-MM-SR8D01-00AH	PMSH-M12D-04P-MM-SR8D01-00AH
	3m	PMSH-M12A-10P-MM-SR8D03-00AH	PMSH-M12A-12P-MM-SR8D03-00AH	PMSH-M12B-05P-MM-SR8D03-00AH	PMSH-M12D-04P-MM-SR8D03-00AH
	5m	PMSH-M12A-10P-MM-SR8D05-00AH	PMSH-M12A-12P-MM-SR8D05-00AH	PMSH-M12B-05P-MM-SR8D05-00AH	PMSH-M12D-04P-MM-SR8D05-00AH
	定制化 Customized

M12 x 1 孔式成型电缆插头，单端，非屏蔽，直头。

M12 x 1 Female Overmolded with Cable Plug, Single end, Unshielded, Straight.



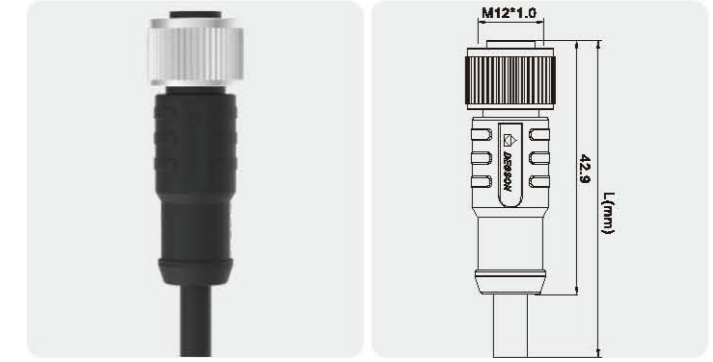
技术数据 Technical Data

标准 Standard	IEC 61076	端子载体材料 Contact carriers material	PU
系列 Series	M12, Female, Straight	端子材料 Contact material	Copper Alloy, Gold-plated
Pin针数量 Number of Pins	03,04,05,06,08,10,12 Pin	金属螺母 Metal of nut	Zinc Alloy with Nickel Plated
额定电流 Rated Current	4A max.	胶圈 Seal	Silicone
额定电压 Rated voltage	250V max.	电缆外皮材料 Cable jacket material	PUR / PVC
绝缘电阻 Insulation resistance	≥100MΩ	屏蔽 Shielding	Unshielded
接触电阻 Contact resistance	≤5mΩ	机械寿命 Mechanical life	> 100 mating cycles
运行温度 Ambient temperature	-25 ~ +80°C		
防护等级 IP Class	IP68		

针数 Number of Pins		03 Pin	04 Pin	05 Pin	06 Pin	08 Pin
编码 Coding	编码 Coded	A-Coded	A-Coded	A-Coded	A-Coded	A-Coded
	正面图 Front View					
额定电流 Rated current	A.	4A	4A	4A	2A	2A
额定电压 Rated voltage	V.	250V	250V	60V	30V	30V
电线电缆 Wire/Cable	线规 Wire gauge	22AWG	22AWG	22AWG	24AWG	24AWG
	横截面 Cross section	0.34mm²	0.34mm²	0.34mm²	0.25mm²	0.25mm²
	接线表 Wiring list	1.BN 3.BU 4.BK	1.BN 2.WH 3.BU 4.BK	1.BN 2.WH 3.BU 4.BK 5.GY	1.WH 2.BN 3.GN 4.YE 6.PK 7.BU	1.WH 2.BN 3.GN 4.YE 6.PK 7.BU 8.RD
描述 Description	订单号 Order NO.	订单号 Order NO.	订单号 Order NO.	订单号 Order NO.	订单号 Order NO.	
PVC	1m	PM-M12A-03P-FF-SL8A01-00AH	PM-M12A-04P-FF-SL8A01-00AH	PM-M12A-05P-FF-SL8A01-00AH	PM-M12A-06P-FF-SL8A01-00AH	PM-M12A-08P-FF-SL8A01-00AH
	3m	PM-M12A-03P-FF-SL8A03-00AH	PM-M12A-04P-FF-SL8A03-00AH	PM-M12A-05P-FF-SL8A03-00AH	PM-M12A-06P-FF-SL8A03-00AH	PM-M12A-08P-FF-SL8A03-00AH
	5m	PM-M12A-03P-FF-SL8A05-00AH	PM-M12A-04P-FF-SL8A05-00AH	PM-M12A-05P-FF-SL8A05-00AH	PM-M12A-06P-FF-SL8A05-00AH	PM-M12A-08P-FF-SL8A05-00AH
	定制化 Customized
PUR	1m	PM-M12A-03P-FF-SL8B01-00AH	PM-M12A-04P-FF-SL8B01-00AH	PM-M12A-05P-FF-SL8B01-00AH	PM-M12A-06P-FF-SL8B01-00AH	PM-M12A-08P-FF-SL8B01-00AH
	3m	PM-M12A-03P-FF-SL8B03-00AH	PM-M12A-04P-FF-SL8B03-00AH	PM-M12A-05P-FF-SL8B03-00AH	PM-M12A-06P-FF-SL8B03-00AH	PM-M12A-08P-FF-SL8B03-00AH
	5m	PM-M12A-03P-FF-SL8B05-00AH	PM-M12A-04P-FF-SL8B05-00AH	PM-M12A-05P-FF-SL8B05-00AH	PM-M12A-06P-FF-SL8B05-00AH	PM-M12A-08P-FF-SL8B05-00AH
	定制化 Customized
PVC	1m	PM-M12A-03P-FF-SL8C01-00AH	PM-M12A-04P-FF-SL8C01-00AH	PM-M12A-05P-FF-SL8C01-00AH	PM-M12A-06P-FF-SL8C01-00AH	PM-M12A-08P-FF-SL8C01-00AH
	3m	PM-M12A-03P-FF-SL8C03-00AH	PM-M12A-04P-FF-SL8C03-00AH	PM-M12A-05P-FF-SL8C03-00AH	PM-M12A-06P-FF-SL8C03-00AH	PM-M12A-08P-FF-SL8C03-00AH
	5m	PM-M12A-03P-FF-SL8C05-00AH	PM-M12A-04P-FF-SL8C05-00AH	PM-M12A-05P-FF-SL8C05-00AH	PM-M12A-06P-FF-SL8C05-00AH	PM-M12A-08P-FF-SL8C05-00AH
	定制化 Customized
PUR	1m	PM-M12A-03P-FF-SL8D01-00AH	PM-M12A-04P-FF-SL8D01-00AH	PM-M12A-05P-FF-SL8D01-00AH	PM-M12A-06P-FF-SL8D01-00AH	PM-M12A-08P-FF-SL8D01-00AH
	3m	PM-M12A-03P-FF-SL8D03-00AH	PM-M12A-04P-FF-SL8D03-00AH	PM-M12A-05P-FF-SL8D03-00AH	PM-M12A-06P-FF-SL8D03-00AH	PM-M12A-08P-FF-SL8D03-00AH
	5m	PM-M12A-03P-FF-SL8D05-00AH	PM-M12A-04P-FF-SL8D05-00AH	PM-M12A-05P-FF-SL8D05-00AH	PM-M12A-06P-FF-SL8D05-00AH	PM-M12A-08P-FF-SL8D05-00AH
	定制化 Customized

M12 x 1 孔式成型电缆插头，单端，非屏蔽，直头。

M12 x 1 Female Overmolded with Cable Plug, Single end, Unshielded, Straight.



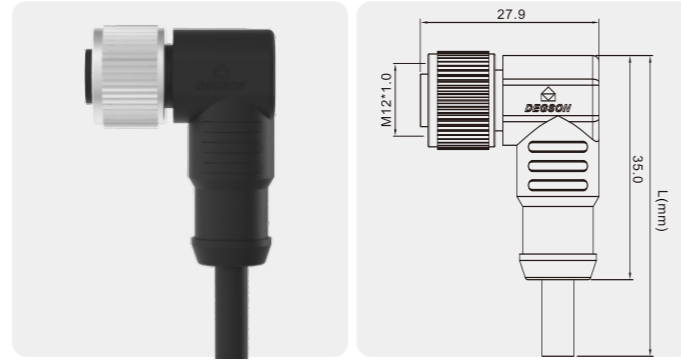
技术数据 Technical Data

标准 Standard	IEC 61076	端子载体材料 Contact carriers material	PU
系列 Series	M12, Female, Straight	端子材料 Contact material	Copper Alloy, Gold-plated
Pin针数量 Number of Pins	03,04,05,06,08,10,12 Pin	金属螺母 Metal of nut	Zinc Alloy with Nickel Plated
额定电流 Rated Current	4A max.	胶圈 Seal	Silicone
额定电压 Rated voltage	250V max.	电缆外皮材料 Cable jacket material	PUR / PVC
绝缘电阻 Insulation resistance	≥100MΩ	屏蔽 Shielding	Unshielded
接触电阻 Contact resistance	≤5mΩ	机械寿命 Mechanical life	> 100 mating cycles
运行温度 Ambient temperature	-25 ~ +80°C		
防护等级 IP Class	IP68		

针数 Number of Pins		10 Pin	12 Pin	05 Pin	04 Pin
编码 Coding	编码 Coded	A-Coded	A-Coded	B-Coded	D-Coded
	正面图 Front View				
额定电流 Rated current	A.	1.5A	1.5A	4A	4A
额定电压 Rated voltage	V.	30V	30V	60V	250V
电线电缆 Wire/Cable	线规 Wire gauge	26AWG	26AWG	22AWG	22AWG
	横截面 Cross section	0.14mm²	0.14mm²	0.34mm²	0.34mm²
	接线表 Wiring list	1.BN 3.WH 5.PK 7.BK 9.RD	2.BU 4.GN 6.YW 8.GY 10.VT	1.BN 2.WH 3.BU 4.BK 5.GY	1.BN 2.WH 3.BU 4.BK
描述 Description	订单号 Order NO.	订单号 Order NO.	订单号 Order NO.	订单号 Order NO.	
PVC	1m	PM-M12A-10P-FF-SL8A01-00AH	PM-M12A-12P-FF-SL8A01-00AH	PM-M12B-05P-FF-SL8A01-00AH	PM-M12D-04P-FF-SL8A01-00AH
	3m	PM-M12A-10P-FF-SL8A03-00AH	PM-M12A-12P-FF-SL8A03-00AH	PM-M12B-05P-FF-SL8A03-00AH	PM-M12D-04P-FF-SL8A03-00AH
	5m	PM-M12A-10P-FF-SL8A05-00AH	PM-M12A-12P-FF-SL8A05-00AH	PM-M12B-05P-FF-SL8A05-00AH	PM-M12D-04P-FF-SL8A05-00AH
	定制化 Customized
PUR	1m	PM-M12A-10P-FF-SL8B01-00AH	PM-M12A-12P-FF-SL8B01-00AH	PM-M12B-05P-FF-SL8B01-00AH	PM-M12D-04P-FF-SL8B01-00AH
	3m	PM-M12A-10P-FF-SL8B03-00AH	PM-M12A-12P-FF-SL8B03-00AH	PM-M12B-05P-FF-SL8B03-00AH	PM-M12D-04P-FF-SL8B03-00AH
	5m	PM-M12A-10P-FF-SL8B05-00AH	PM-M12A-12P-FF-SL8B05-00AH	PM-M12B-05P-FF-SL8B05-00AH	PM-M12D-04P-FF-SL8B05-00AH
	定制化 Customized
PVC	1m	PM-M12A-10P-FF-SL8C01-00AH	PM-M12A-12P-FF-SL8C01-00AH	PM-M12B-05P-FF-SL8C01-00AH	PM-M12D-04P-FF-SL8C01-00AH
	3m	PM-M12A-10P-FF-SL8C03-00AH	PM-M12A-12P-FF-SL8C03-00AH	PM-M12B-05P-FF-SL8C03-00AH	PM-M12D-04P-FF-SL8C03-00AH
	5m	PM-M12A-10P-FF-SL8C05-00AH	PM-M12A-12P-FF-SL8C05-00AH	PM-M12B-05P-FF-SL8C05-00AH	PM-M12D-04P-FF-SL8C05-00AH
	定制化 Customized
PUR	1m	PM-M12A-10P-FF-SL8D01-00AH	PM-M12A-12P-FF-SL8D01-00AH	PM-M12B-05P-FF-SL8D01-00AH	PM-M12D-04P-FF-SL8D01-00AH
	3m	PM-M12A-10P-FF-SL8D03-00AH	PM-M12A-12P-FF-SL8D03-00AH	PM-M12B-05P-FF-SL8D03-00AH	PM-M12D-04P-FF-SL8D03-00AH
	5m	PM-M12A-10P-FF-SL8D05-00AH	PM-M12A-12P-FF-SL8D05-00AH	PM-M12B-05P-FF-SL8D05-00AH	PM-M12D-04P-FF-SL8D05-00AH
	定制化 Customized

M12 x 1 孔式成型电缆插头，单端，非屏蔽，弯头。

M12 x 1 Female Overmolded with Cable Plug, Single end, Unshielded, Angled.



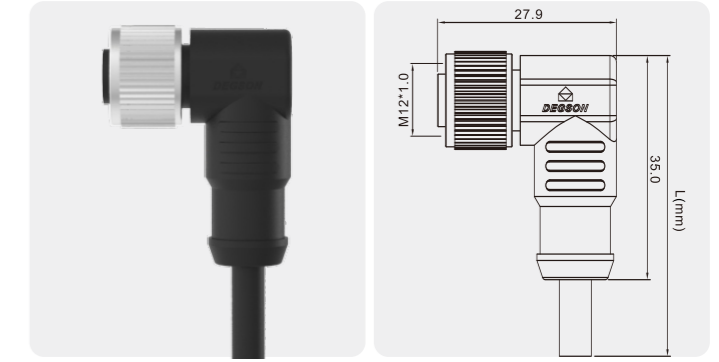
技术数据 Technical Data

标准 Standard	IEC 61076	端子载体材料 Contact carriers material	PU
系列 Series	M12, Female, Angled	端子材料 Contact material	Copper Alloy, Gold-plated
Pin针数量 Number of Pins	03,04,05,06,08,10,12 Pin	金属螺母 Metal of nut	Zinc Alloy with Nickel Plated
额定电流 Rated Current	4A max.	胶圈 Seal	Silicone
额定电压 Rated voltage	250V max.	电缆外皮材料 Cable jacket material	PUR / PVC
绝缘电阻 Insulation resistance	≥100MΩ	屏蔽 Shielding	Unshielded
接触电阻 Contact resistance	≤5mΩ	机械寿命 Mechanical life	> 100 mating cycles
运行温度 Ambient temperature	-25 ~ +80°C	—	—
防护等级 IP Class	IP68	—	—

针数 Number of Pins		03 Pin	04 Pin	05 Pin	06 Pin	08 Pin
编码 Coding	编码 Coded	A-Coded	A-Coded	A-Coded	A-Coded	A-Coded
	正面图 Front View					
额定电流 Rated current	A.	4A	4A	4A	2A	2A
额定电压 Rated voltage	V.	250V	250V	60V	30V	30V
电线电缆 Wire/Cable	线规 Wire gauge	22AWG	22AWG	22AWG	24AWG	24AWG
	横截面 Cross section	0.34mm ²	0.34mm ²	0.34mm ²	0.25mm ²	0.25mm ²
接线表 Wiring list	接线表	1.BN 3.BU 4.BK	1.BN 2.WH 3.BU 4.BK	1.BN 2.WH 3.BU 4.BK 5.GY	1.WH 2.BN 3.GN 4.YE 5.GY 6.PK 7.BU 8.RD	1.WH 2.BU 3.GN 4.YE 5.GY 6.PK 7.BU 8.RD
	描述 Description	订单号 Order NO.	订单号 Order NO.	订单号 Order NO.	订单号 Order NO.	订单号 Order NO.
PVC	1m	PM-M12A-03P-FF-SR8A01-00AH	PM-M12A-04P-FF-SR8A01-00AH	PM-M12A-05P-FF-SR8A01-00AH	PM-M12A-06P-FF-SR8A01-00AH	PM-M12A-08P-FF-SR8A01-00AH
	3m	PM-M12A-03P-FF-SR8A03-00AH	PM-M12A-04P-FF-SR8A03-00AH	PM-M12A-05P-FF-SR8A03-00AH	PM-M12A-06P-FF-SR8A03-00AH	PM-M12A-08P-FF-SR8A03-00AH
	5m	PM-M12A-03P-FF-SR8A05-00AH	PM-M12A-04P-FF-SR8A05-00AH	PM-M12A-05P-FF-SR8A05-00AH	PM-M12A-06P-FF-SR8A05-00AH	PM-M12A-08P-FF-SR8A05-00AH
	定制化 Customized
PUR	1m	PM-M12A-03P-FF-SR8B01-00AH	PM-M12A-04P-FF-SR8B01-00AH	PM-M12A-05P-FF-SR8B01-00AH	PM-M12A-06P-FF-SR8B01-00AH	PM-M12A-08P-FF-SR8B01-00AH
	3m	PM-M12A-03P-FF-SR8B03-00AH	PM-M12A-04P-FF-SR8B03-00AH	PM-M12A-05P-FF-SR8B03-00AH	PM-M12A-06P-FF-SR8B03-00AH	PM-M12A-08P-FF-SR8B03-00AH
	5m	PM-M12A-03P-FF-SR8B05-00AH	PM-M12A-04P-FF-SR8B05-00AH	PM-M12A-05P-FF-SR8B05-00AH	PM-M12A-06P-FF-SR8B05-00AH	PM-M12A-08P-FF-SR8B05-00AH
	定制化 Customized
PVC	1m	PM-M12A-03P-FF-SR8C01-00AH	PM-M12A-04P-FF-SR8C01-00AH	PM-M12A-05P-FF-SR8C01-00AH	PM-M12A-06P-FF-SR8C01-00AH	PM-M12A-08P-FF-SR8C01-00AH
	3m	PM-M12A-03P-FF-SR8C03-00AH	PM-M12A-04P-FF-SR8C03-00AH	PM-M12A-05P-FF-SR8C03-00AH	PM-M12A-06P-FF-SR8C03-00AH	PM-M12A-08P-FF-SR8C03-00AH
	5m	PM-M12A-03P-FF-SR8C05-00AH	PM-M12A-04P-FF-SR8C05-00AH	PM-M12A-05P-FF-SR8C05-00AH	PM-M12A-06P-FF-SR8C05-00AH	PM-M12A-08P-FF-SR8C05-00AH
	定制化 Customized
PUR	1m	PM-M12A-03P-FF-SR8D01-00AH	PM-M12A-04P-FF-SR8D01-00AH	PM-M12A-05P-FF-SR8D01-00AH	PM-M12A-06P-FF-SR8D01-00AH	PM-M12A-08P-FF-SR8D01-00AH
	3m	PM-M12A-03P-FF-SR8D03-00AH	PM-M12A-04P-FF-SR8D03-00AH	PM-M12A-05P-FF-SR8D03-00AH	PM-M12A-06P-FF-SR8D03-00AH	PM-M12A-08P-FF-SR8D03-00AH
	5m	PM-M12A-03P-FF-SR8D05-00AH	PM-M12A-04P-FF-SR8D05-00AH	PM-M12A-05P-FF-SR8D05-00AH	PM-M12A-06P-FF-SR8D05-00AH	PM-M12A-08P-FF-SR8D05-00AH
	定制化 Customized

M12 x 1 孔式成型电缆插头，单端，非屏蔽，弯头。

M12 x 1 Female Overmolded with Cable Plug, Single end, Unshielded, Angled.



技术数据 Technical Data

标准 Standard	IEC 61076	端子载体材料 Contact carriers material	PU
系列 Series	M12, Female, Angled	端子材料 Contact material	Copper Alloy, Gold-plated
Pin针数量 Number of Pins	03,04,05,06,08,10,12 Pin	金属螺母 Metal of nut	Zinc Alloy with Nickel Plated
额定电流 Rated Current	4A max.	胶圈 Seal	Silicone
额定电压 Rated voltage	250V max.	电缆外皮材料 Cable jacket material	PUR / PVC
绝缘电阻 Insulation resistance	≥100MΩ	屏蔽 Shielding	Unshielded
接触电阻 Contact resistance	≤5mΩ	机械寿命 Mechanical life	> 100 mating cycles
运行温度 Ambient temperature	-25 ~ +80°C	—	—
防护等级 IP Class	IP68	—	—

针数 Number of Pins		10 Pin	12 Pin	05 Pin	04 Pin
编码 Coding	编码 Coded	A-Coded	A-Coded	B-Coded	D-Coded
	正面图 Front View				
额定电流 Rated current	A.	1.5A	1.5A	4A	4A
额定电压 Rated voltage	V.	30V	30V	60V	250V
电线电缆 Wire/Cable	线规 Wire gauge	26AWG	26AWG	22AWG	22AWG
	横截面 Cross section	0.14mm ²	0.14mm ²	0.34mm ²	0.34mm ²
接线表 Wiring list	接线表	1.BN 3.WH 5.PK 7.BK 9.RD	2.BU 4.GN 6.YW 8.GY 10.VT	1.BN 2.WH 3.BU 4.BK 5.GY	1.BN 2.WH 3.BU 4.BK
	描述 Description	订单号 Order NO.	订单号 Order NO.	订单号 Order NO.	订单号 Order NO.
PVC	1m	PM-M12A-10P-FF-SR8A01-00AH	PM-M12A-12P-FF-SR8A01-00AH	PM-M12B-05P-FF-SR8A01-00AH	PM-M12D-04P-FF-SR8A01-00AH
	3m	PM-M12A-10P-FF-SR8A03-00AH	PM-M12A-12P-FF-SR8A03-00AH	PM-M12B-05P-FF-SR8A03-00AH	PM-M12D-04P-FF-SR8A03-00AH
	5m	PM-M12A-10P-FF-SR8A05-00AH	PM-M12A-12P-FF-SR8A05-00AH	PM-M12B-05P-FF-SR8A05-00AH	PM-M12D-04P-FF-SR8A05-00AH
	定制化 Customized
PUR	1m	PM-M12A-10P-FF-SR8B01-00AH	PM-M12A-12P-FF-SR8B01-00AH	PM-M12B-05P-FF-SR8B01-00AH	PM-M12D-04P-FF-SR8B01-00AH
	3m	PM-M12A-10P-FF-SR8B03-00AH	PM-M12A-12P-FF-SR8B03-00AH	PM-M12B-05P-FF-SR8B03-00AH	PM-M12D-04P-FF-SR8B03-00AH
	5m	PM-M12A-10P-FF-SR8B05-00AH	PM-M12A-12P-FF-SR8B05-00AH	PM-M12B-05P-FF-SR8B05-00AH	PM-M12D-04P-FF-SR8B05-00AH
	定制化 Customized
PVC	1m	PM-M12A-10P-FF-SR8C01-00AH	PM-M12A-12P-FF-SR8C01-00AH	PM-M12B-05P-FF-SR8C01-00AH	PM-M12D-04P-FF-SR8C01-00AH
	3m	PM-M12A-10P-FF-SR8C03-00AH	PM-M12A-12P-FF-SR8C03-00AH	PM-M12B-05P-FF-SR8C03-00AH	PM-M12D-04P-FF-SR8C03-00AH
	5m	PM-M12A-10P-FF-SR8C05-00AH	PM-M12A-12P-FF-SR8C05-00AH	PM-M12B-05P-FF-SR8C05-00AH	PM-M12D-04P-FF-SR8C05-00AH
	定制化 Customized
PUR	1m	PM-M12A-10P-FF-SR8D01-00AH	PM-M12A-12P-FF-SR8D01-00AH	PM-M12B-05P-FF-SR8D01-00AH	PM-M12D-04P-FF-SR8D01-00AH
	3m	PM-M12A-10P-FF-SR8D03-00AH	PM-M12A-12P-FF-SR8D03-00AH	PM-M12B-05P-FF-SR8D03-00AH	PM-M12D-04P-FF-SR8D03-00AH
	5m	PM-M12A-10P-FF-SR8D05-00AH	PM-M12A-12P-FF-SR8D05-00AH	PM-M12B-05P-FF-SR8D05-00AH	PM-M12D-04P-FF-SR8D05-00AH
	定制化 Customized

M12 x 1 孔式成型电缆插头,单端,屏蔽,直头。

M12 x 1 Female Overmolded with Cable Plug, Single end, Shielded, Straight.



技术数据 Technical Data

标准 Standard	IEC 61076	端子载体材料 Contact carriers material	PA
系列 Series	M12, Female, Straight	端子材料 Contact material	Copper Alloy, Gold-plated
Pin针数量 Number of Pins	03,04,05,06,08,10,12 Pin	金属螺母 Metal of nut	Zinc Alloy with Nickel Plated
额定电流 Rated Current	4A max.	胶圈 Seal	Silicone
额定电压 Rated voltage	250V max.	电缆外皮材料 Cable jacket material	PUR / PVC
绝缘电阻 Insulation resistance	≥100MΩ	屏蔽 Shielding	Shielded
接触电阻 Contact resistance	≤5mΩ	机械寿命 Mechanical life	> 100 mating cycles
运行温度 Ambient temperature	-25 ~ +80°C	—	—
防护等级 IP Class	IP68	—	—

针数 Number of Pins		03 Pin	04 Pin	05 Pin	06 Pin	08 Pin
编码 Coding	编码 Coded	A-Coded	A-Coded	A-Coded	A-Coded	A-Coded
	正面图 Front View					
额定电流 Rated current	A.	4A	4A	4A	2A	2A
额定电压 Rated voltage	V.	250V	250V	60V	30V	30V
电线规格 Wire/Cable	线规 Wire gauge	22AWG	22AWG	22AWG	24AWG	24AWG
	横截面 Cross section	0.34mm²	0.34mm²	0.34mm²	0.25mm²	0.25mm²
	接线表 Wiring list	1.BN 3.BU 4.BK	1.BN 2.WH 3.BU 4.BK	1.BN 2.WH 3.BU 4.BK 5.GY	1.WH 2.BN 3.GN 4.YE 6.PK 7.BU	1.WH 2.BN 3.GN 4.YE 5.GY 6.PK 7.BU 8.RD
描述 Description	订单号 Order NO.	订单号 Order NO.	订单号 Order NO.	订单号 Order NO.	订单号 Order NO.	
PVC	1m	PMSHM12A-03P-FF-SL8A01-00AH	PMSHM12A-04P-FF-SL8A01-00AH	PMSHM12A-05P-FF-SL8A01-00AH	PMSHM12A-06P-FF-SL8A01-00AH	PMSHM12A-08P-FF-SL8A01-00AH
	3m	PMSHM12A-03P-FF-SL8A03-00AH	PMSHM12A-04P-FF-SL8A03-00AH	PMSHM12A-05P-FF-SL8A03-00AH	PMSHM12A-06P-FF-SL8A03-00AH	PMSHM12A-08P-FF-SL8A03-00AH
	5m	PMSHM12A-03P-FF-SL8A05-00AH	PMSHM12A-04P-FF-SL8A05-00AH	PMSHM12A-05P-FF-SL8A05-00AH	PMSHM12A-06P-FF-SL8A05-00AH	PMSHM12A-08P-FF-SL8A05-00AH
	定制化 Customized
	PUR	1m	PMSHM12A-03P-FF-SL8B01-00AH	PMSHM12A-04P-FF-SL8B01-00AH	PMSHM12A-05P-FF-SL8B01-00AH	PMSHM12A-06P-FF-SL8B01-00AH
3m		PMSHM12A-03P-FF-SL8B03-00AH	PMSHM12A-04P-FF-SL8B03-00AH	PMSHM12A-05P-FF-SL8B03-00AH	PMSHM12A-06P-FF-SL8B03-00AH	PMSHM12A-08P-FF-SL8B03-00AH
5m		PMSHM12A-03P-FF-SL8B05-00AH	PMSHM12A-04P-FF-SL8B05-00AH	PMSHM12A-05P-FF-SL8B05-00AH	PMSHM12A-06P-FF-SL8B05-00AH	PMSHM12A-08P-FF-SL8B05-00AH
定制化 Customized	
PVC		1m	PMSHM12A-03P-FF-SL8C01-00AH	PMSHM12A-04P-FF-SL8C01-00AH	PMSHM12A-05P-FF-SL8C01-00AH	PMSHM12A-06P-FF-SL8C01-00AH
	3m	PMSHM12A-03P-FF-SL8C03-00AH	PMSHM12A-04P-FF-SL8C03-00AH	PMSHM12A-05P-FF-SL8C03-00AH	PMSHM12A-06P-FF-SL8C03-00AH	PMSHM12A-08P-FF-SL8C03-00AH
	5m	PMSHM12A-03P-FF-SL8C05-00AH	PMSHM12A-04P-FF-SL8C05-00AH	PMSHM12A-05P-FF-SL8C05-00AH	PMSHM12A-06P-FF-SL8C05-00AH	PMSHM12A-08P-FF-SL8C05-00AH
	定制化 Customized
	PUR	1m	PMSHM12A-03P-FF-SL8D01-00AH	PMSHM12A-04P-FF-SL8D01-00AH	PMSHM12A-05P-FF-SL8D01-00AH	PMSHM12A-06P-FF-SL8D01-00AH
3m		PMSHM12A-03P-FF-SL8D03-00AH	PMSHM12A-04P-FF-SL8D03-00AH	PMSHM12A-05P-FF-SL8D03-00AH	PMSHM12A-06P-FF-SL8D03-00AH	PMSHM12A-08P-FF-SL8D03-00AH
5m		PMSHM12A-03P-FF-SL8D05-00AH	PMSHM12A-04P-FF-SL8D05-00AH	PMSHM12A-05P-FF-SL8D05-00AH	PMSHM12A-06P-FF-SL8D05-00AH	PMSHM12A-08P-FF-SL8D05-00AH
定制化 Customized	

M12 x 1 孔式成型电缆插头,单端,屏蔽,直头。

M12 x 1 Female Overmolded with Cable Plug, Single end, Shielded, Straight.



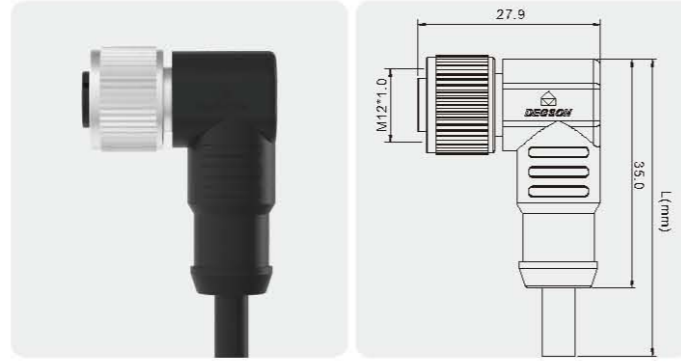
技术数据 Technical Data

标准 Standard	IEC 61076	端子载体材料 Contact carriers material	PA
系列 Series	M12, Female, Straight	端子材料 Contact material	Copper Alloy, Gold-plated
Pin针数量 Number of Pins	03,04,05,06,08,10,12 Pin	金属螺母 Metal of nut	Zinc Alloy with Nickel Plated
额定电流 Rated Current	4A max.	胶圈 Seal	Silicone
额定电压 Rated voltage	250V max.	电缆外皮材料 Cable jacket material	PUR / PVC
绝缘电阻 Insulation resistance	≥100MΩ	屏蔽 Shielding	Shielded
接触电阻 Contact resistance	≤5mΩ	机械寿命 Mechanical life	> 100 mating cycles
运行温度 Ambient temperature	-25 ~ +80°C	—	—
防护等级 IP Class	IP68	—	—

针数 Number of Pins		10 Pin	12 Pin	05 Pin	04 Pin
编码 Coding	编码 Coded	A-Coded	A-Coded	B-Coded	D-Coded
	正面图 Front View				
额定电流 Rated current	A.	1.5A	1.5A	4A	4A
额定电压 Rated voltage	V.	30V	30V	60V	250V
电线规格 Wire/Cable	线规 Wire gauge	26AWG	26AWG	22AWG	22AWG
	横截面 Cross section	0.14mm²	0.14mm²	0.34mm²	0.34mm²
	接线表 Wiring list	1.BN 3.WH 5.PK 7.BK 9.RD	2.BU 4.GN 6.YW 8.GY 10.VT	1.BN 2.WH 3.BU 4.BK 5.GY	1.YW 2.WH 3.OG 4.BU
描述 Description	订单号 Order NO.	订单号 Order NO.	订单号 Order NO.	订单号 Order NO.	
PVC	1m	PMSHM12A-10P-FF-SL8A01-00AH	PMSHM12A-12P-FF-SL8A01-00AH	PMSHM12B-05P-FF-SL8A01-00AH	PMSHM12D-04P-FF-SL8A01-00AH
	3m	PMSHM12A-10P-FF-SL8A03-00AH	PMSHM12A-12P-FF-SL8A03-00AH	PMSHM12B-05P-FF-SL8A03-00AH	PMSHM12D-04P-FF-SL8A03-00AH
	5m	PMSHM12A-10P-FF-SL8A05-00AH	PMSHM12A-12P-FF-SL8A05-00AH	PMSHM12B-05P-FF-SL8A05-00AH	PMSHM12D-04P-FF-SL8A05-00AH
	定制化 Customized
	PUR	1m	PMSHM12A-10P-FF-SL8B01-00AH	PMSHM12A-12P-FF-SL8B01-00AH	PMSHM12B-05P-FF-SL8B01-00AH
3m		PMSHM12A-10P-FF-SL8B03-00AH	PMSHM12A-12P-FF-SL8B03-00AH	PMSHM12B-05P-FF-SL8B03-00AH	PMSHM12D-04P-FF-SL8B03-00AH
5m		PMSHM12A-10P-FF-SL8B05-00AH	PMSHM12A-12P-FF-SL8B05-00AH	PMSHM12B-05P-FF-SL8B05-00AH	PMSHM12D-04P-FF-SL8B05-00AH
定制化 Customized	
PVC		1m	PMSHM12A-10P-FF-SL8C01-00AH	PMSHM12A-12P-FF-SL8C01-00AH	PMSHM12B-05P-FF-SL8C01-00AH
	3m	PMSHM12A-10P-FF-SL8C03-00AH	PMSHM12A-12P-FF-SL8C03-00AH	PMSHM12B-05P-FF-SL8C03-00AH	PMSHM12D-04P-FF-SL8C03-00AH
	5m	PMSHM12A-10P-FF-SL8C05-00AH	PMSHM12A-12P-FF-SL8C05-00AH	PMSHM12B-05P-FF-SL8C05-00AH	PMSHM12D-04P-FF-SL8C05-00AH
	定制化 Customized
	PUR	1m	PMSHM12A-10P-FF-SL8D01-00AH	PMSHM12A-12P-FF-SL8D01-00AH	PMSHM12B-05P-FF-SL8D01-00AH
3m		PMSHM12A-10P-FF-SL8D03-00AH	PMSHM12A-12P-FF-SL8D03-00AH	PMSHM12B-05P-FF-SL8D03-00AH	PMSHM12D-04P-FF-SL8D03-00AH
5m		PMSHM12A-10P-FF-SL8D05-00AH	PMSHM12A-12P-FF-SL8D05-00AH	PMSHM12B-05P-FF-SL8D05-00AH	PMSHM12D-04P-FF-SL8D05-00AH
定制化 Customized	

M12 x 1 孔式成型电缆插头，单端，屏蔽，弯头。

M12 x 1 Female Overmolded with Cable Plug, Single end, Shielded, Angled.



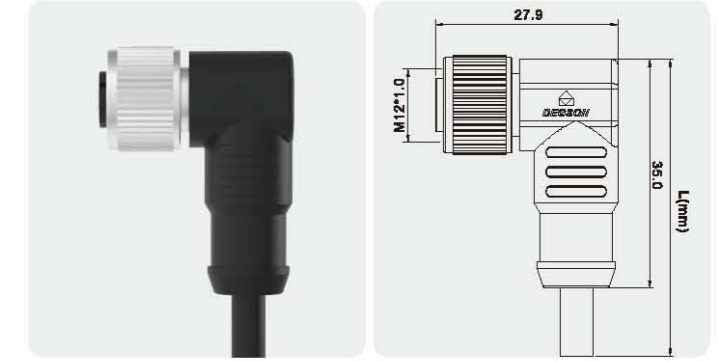
技术数据 Technical Data

标准 Standard	IEC 61076	端子载体材料 Contact carriers material	PA
系列 Series	M12, Female, Angled	端子材料 Contact material	Copper Alloy, Gold-plated
Pin针数量 Number of Pins	03, 04, 05, 06, 08, 10, 12 Pin	金属螺母 Metal of nut	Zinc Alloy with Nickel Plated
额定电流 Rated Current	4A max.	胶圈 Seal	Silicone
额定电压 Rated voltage	250V max.	电缆外皮材料 Cable jacket material	PUR / PVC
绝缘电阻 Insulation resistance	≥100MΩ	屏蔽 Shielding	Shielded
接触电阻 Contact resistance	≤5mΩ	机械寿命 Mechanical life	> 100 mating cycles
运行温度 Ambient temperature	-25 ~ +80℃	—	—
防护等级 IP Class	IP68	—	—

针数 Number of Pins		03 Pin	04 Pin	05 Pin	06 Pin	08 Pin
编码 Coding	编码 Coded	A-Coded	A-Coded	A-Coded	A-Coded	A-Coded
	正面图 Front View					
额定电流 Rated current	A	4A	4A	4A	2A	2A
额定电压 Rated voltage	V	250V	250V	80V	30V	30V
电线/电缆 Wire/Cable	线规 Wire gauge	22AWG	22AWG	22AWG	24AWG	24AWG
	横截面 Cross section	0.34mm ²	0.34mm ²	0.34mm ²	0.25mm ²	0.25mm ²
	接线表 Wiring list	1.BN 3.BU 4.BK	1.BN 2.WH 3.BU 4.BK	1.BN 2.WH 3.BU 4.BK 5.GY	1.WH 2.BN 3.GN 4.YE 5.PK 6.PK 7.BU 8.RD	1.WH 2.BN 3.GN 4.YE 5.PK 6.PK 7.BU 8.RD
描述 Description	订单号 Order NO.	订单号 Order NO.	订单号 Order NO.	订单号 Order NO.	订单号 Order NO.	订单号 Order NO.
PVC	1m	PMSHM12A-03P-FF-SR8A01-00AH	PMSHM12A-04P-FF-SR8A01-00AH	PMSHM12A-05P-FF-SR8A01-00AH	PMSHM12A-06P-FF-SR8A01-00AH	PMSHM12A-08P-FF-SR8A01-00AH
	3m	PMSHM12A-03P-FF-SR8A03-00AH	PMSHM12A-04P-FF-SR8A03-00AH	PMSHM12A-05P-FF-SR8A03-00AH	PMSHM12A-06P-FF-SR8A03-00AH	PMSHM12A-08P-FF-SR8A03-00AH
	5m	PMSHM12A-03P-FF-SR8A05-00AH	PMSHM12A-04P-FF-SR8A05-00AH	PMSHM12A-05P-FF-SR8A05-00AH	PMSHM12A-06P-FF-SR8A05-00AH	PMSHM12A-08P-FF-SR8A05-00AH
	定制化 Customized
PUR	1m	PMSHM12A-03P-FF-SR8B01-00AH	PMSHM12A-04P-FF-SR8B01-00AH	PMSHM12A-05P-FF-SR8B01-00AH	PMSHM12A-06P-FF-SR8B01-00AH	PMSHM12A-08P-FF-SR8B01-00AH
	3m	PMSHM12A-03P-FF-SR8B03-00AH	PMSHM12A-04P-FF-SR8B03-00AH	PMSHM12A-05P-FF-SR8B03-00AH	PMSHM12A-06P-FF-SR8B03-00AH	PMSHM12A-08P-FF-SR8B03-00AH
	5m	PMSHM12A-03P-FF-SR8B05-00AH	PMSHM12A-04P-FF-SR8B05-00AH	PMSHM12A-05P-FF-SR8B05-00AH	PMSHM12A-06P-FF-SR8B05-00AH	PMSHM12A-08P-FF-SR8B05-00AH
	定制化 Customized
PVC	1m	PMSHM12A-03P-FF-SR8C01-00AH	PMSHM12A-04P-FF-SR8C01-00AH	PMSHM12A-05P-FF-SR8C01-00AH	PMSHM12A-06P-FF-SR8C01-00AH	PMSHM12A-08P-FF-SR8C01-00AH
	3m	PMSHM12A-03P-FF-SR8C03-00AH	PMSHM12A-04P-FF-SR8C03-00AH	PMSHM12A-05P-FF-SR8C03-00AH	PMSHM12A-06P-FF-SR8C03-00AH	PMSHM12A-08P-FF-SR8C03-00AH
	5m	PMSHM12A-03P-FF-SR8C05-00AH	PMSHM12A-04P-FF-SR8C05-00AH	PMSHM12A-05P-FF-SR8C05-00AH	PMSHM12A-06P-FF-SR8C05-00AH	PMSHM12A-08P-FF-SR8C05-00AH
	定制化 Customized
PUR	1m	PMSHM12A-03P-FF-SR8D01-00AH	PMSHM12A-04P-FF-SR8D01-00AH	PMSHM12A-05P-FF-SR8D01-00AH	PMSHM12A-06P-FF-SR8D01-00AH	PMSHM12A-08P-FF-SR8D01-00AH
	3m	PMSHM12A-03P-FF-SR8D03-00AH	PMSHM12A-04P-FF-SR8D03-00AH	PMSHM12A-05P-FF-SR8D03-00AH	PMSHM12A-06P-FF-SR8D03-00AH	PMSHM12A-08P-FF-SR8D03-00AH
	5m	PMSHM12A-03P-FF-SR8D05-00AH	PMSHM12A-04P-FF-SR8D05-00AH	PMSHM12A-05P-FF-SR8D05-00AH	PMSHM12A-06P-FF-SR8D05-00AH	PMSHM12A-08P-FF-SR8D05-00AH
	定制化 Customized

M12 x 1 孔式成型电缆插头，单端，屏蔽，弯头。

M12 x 1 Female Overmolded with Cable Plug, Single end, Shielded, Angled.



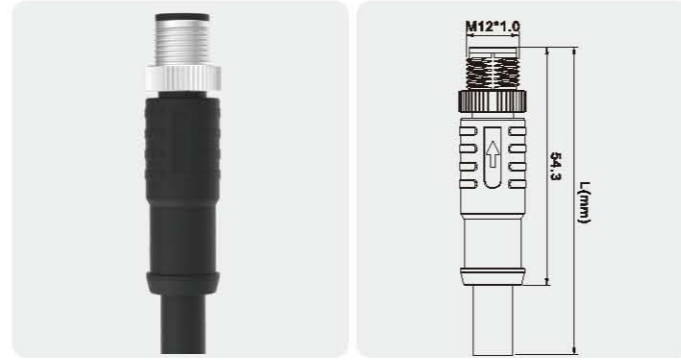
技术数据 Technical Data

标准 Standard	IEC 61076	端子载体材料 Contact carriers material	PA
系列 Series	M12, Female, Angled	端子材料 Contact material	Copper Alloy, Gold-plated
Pin针数量 Number of Pins	03, 04, 05, 06, 08, 10, 12 Pin	金属螺母 Metal of nut	Zinc Alloy with Nickel Plated
额定电流 Rated Current	4A max.	胶圈 Seal	Silicone
额定电压 Rated voltage	250V max.	电缆外皮材料 Cable jacket material	PUR / PVC
绝缘电阻 Insulation resistance	≥100MΩ	屏蔽 Shielding	Shielded
接触电阻 Contact resistance	≤5mΩ	机械寿命 Mechanical life	> 100 mating cycles
运行温度 Ambient temperature	-25 ~ +80℃	—	—
防护等级 IP Class	IP68	—	—

针数 Number of Pins		10 Pin	12 Pin	05 Pin	04 Pin
编码 Coding	编码 Coded	A-Coded	A-Coded	B-Coded	D-Coded
	正面图 Front View				
额定电流 Rated current	A	1.5A	1.5A	4A	4A
额定电压 Rated voltage	V	30V	30V	80V	250V
电线/电缆 Wire/Cable	线规 Wire gauge	28AWG	28AWG	22AWG	22AWG
	横截面 Cross section	0.14mm ²	0.14mm ²	0.34mm ²	0.34mm ²
	接线表 Wiring list	1.BN 3.WH 5.PK 7.BK 9.RD	2.BU 4.GN 6.YW 8.GY 10.VT	1.BN 2.WH 3.BU 4.BK 5.GY	1.YW 2.WH 3.CG 4.BU
描述 Description	订单号 Order NO.	订单号 Order NO.	订单号 Order NO.	订单号 Order NO.	订单号 Order NO.
PVC	1m	PMSHM12A-10P-FF-SR8A01-00AH	PMSHM12A-12P-FF-SR8A01-00AH	PMSHM12B-05P-FF-SR8B01-00AH	PMSHM12D-04P-FF-SR8A01-00AH
	3m	PMSHM12A-10P-FF-SR8A03-00AH	PMSHM12A-12P-FF-SR8A03-00AH	PMSHM12B-05P-FF-SR8B03-00AH	PMSHM12D-04P-FF-SR8A03-00AH
	5m	PMSHM12A-10P-FF-SR8A05-00AH	PMSHM12A-12P-FF-SR8A05-00AH	PMSHM12B-05P-FF-SR8B05-00AH	PMSHM12D-04P-FF-SR8A05-00AH
	定制化 Customized
PUR	1m	PMSHM12A-10P-FF-SR8B01-00AH	PMSHM12A-12P-FF-SR8B01-00AH	PMSHM12B-05P-FF-SR8B01-00AH	PMSHM12D-04P-FF-SR8B01-00AH
	3m	PMSHM12A-10P-FF-SR8B03-00AH	PMSHM12A-12P-FF-SR8B03-00AH	PMSHM12B-05P-FF-SR8B03-00AH	PMSHM12D-04P-FF-SR8B03-00AH
	5m	PMSHM12A-10P-FF-SR8B05-00AH	PMSHM12A-12P-FF-SR8B05-00AH	PMSHM12B-05P-FF-SR8B05-00AH	PMSHM12D-04P-FF-SR8B05-00AH
	定制化 Customized
PVC	1m	PMSHM12A-10P-FF-SR8C01-00AH	PMSHM12A-12P-FF-SR8C01-00AH	PMSHM12B-05P-FF-SR8C01-00AH	PMSHM12D-04P-FF-SR8C01-00AH
	3m	PMSHM12A-10P-FF-SR8C03-00AH	PMSHM12A-12P-FF-SR8C03-00AH	PMSHM12B-05P-FF-SR8C03-00AH	PMSHM12D-04P-FF-SR8C03-00AH
	5m	PMSHM12A-10P-FF-SR8C05-00AH	PMSHM12A-12P-FF-SR8C05-00AH	PMSHM12B-05P-FF-SR8C05-00AH	PMSHM12D-04P-FF-SR8C05-00AH
	定制化 Customized
PUR	1m	PMSHM12A-10P-FF-SR8D01-00AH	PMSHM12A-12P-FF-SR8D01-00AH	PMSHM12B-05P-FF-SR8D01-00AH	PMSHM12D-04P-FF-SR8D01-00AH
	3m	PMSHM12A-10P-FF-SR8D03-00AH	PMSHM12A-12P-FF-SR8D03-00AH	PMSHM12B-05P-FF-SR8D03-00AH	PMSHM12D-04P-FF-SR8D03-00AH
	5m	PMSHM12A-10P-FF-SR8D05-00AH	PMSHM12A-12P-FF-SR8D05-00AH	PMSHM12B-05P-FF-SR8D05-00AH	PMSHM12D-04P-FF-SR8D05-00AH
	定制化 Customized

M12 x 1 针式成型电缆插头，单端，非屏蔽，直头。

M12 x 1 Male Overmolded with Cable Plug, Single end, Unshielded, Straight.



技术数据 Technical Data

标准 Standard	IEC 61076	端子载体材料 Contact carriers material	PU
系列 Series	M12, Male, Straight	端子材料 Contact material	Copper Alloy, Gold-plated
Pin针数量 Number of Pins	03,04 Pin	金属螺母 Metal of nut	Zinc Alloy with Nickel Plated
额定电流 Rated Current	12A max.	胶圈 Seal	Silicone
额定电压 Rated voltage	630V max.	电缆外皮材料 Cable jacket material	PUR / PVC
绝缘电阻 Insulation resistance	≥100MΩ	屏蔽 Shielding	Unshielded
接触电阻 Contact resistance	≤5mΩ	机械寿命 Mechanical life	> 100 mating cycles
运行温度 Ambient temperature	-25 ~ +80°C	—	—
防护等级 IP Class	IP68	—	—

针数 Number of Pins	03 Pin		04 Pin		
	编码 Coded	S-Coded	T-Coded	S-Coded	T-Coded
编码 Coding	正视图 Front View				
额定电流 Rated current	A.	12A	12A	12A	12A
额定电压 Rated voltage	V.	630V	63V	630V	63V
电线规格 Wire/Cable	线规 Wire gauge	16AWG	16AWG	16AWG	16AWG
	横截面 Cross section	1.5mm ²	1.5mm ²	1.5mm ²	1.5mm ²
接线表 Wiring list		1.BK1 3.BK3 4.YE/GN	1.BN 3.BU 4.BK	1.BK1 2.BK2 3.BK3 4.YE/GN	1.BN 2.WH 3.BU 4.BK
	描述 Description	订单号 Order NO.	订单号 Order NO.	订单号 Order NO.	订单号 Order NO.
PVC	1m	PM-M12S-03P-MM-SLBA01-00AH	PM-M12T-03P-MM-SLBA01-00AH	PM-M12S-04P-MM-SLBA01-00AH	PM-M12T-04P-MM-SLBA01-00AH
	3m	PM-M12S-03P-MM-SLBA03-00AH	PM-M12T-03P-MM-SLBA03-00AH	PM-M12S-04P-MM-SLBA03-00AH	PM-M12T-04P-MM-SLBA03-00AH
	5m	PM-M12S-03P-MM-SLBA05-00AH	PM-M12T-03P-MM-SLBA05-00AH	PM-M12S-04P-MM-SLBA05-00AH	PM-M12T-04P-MM-SLBA05-00AH
	定制化 Customized
PUR	1m	PM-M12S-03P-MM-SLBB01-00AH	PM-M12T-03P-MM-SLBB01-00AH	PM-M12S-04P-MM-SLBB01-00AH	PM-M12T-04P-MM-SLBB01-00AH
	3m	PM-M12S-03P-MM-SLBB03-00AH	PM-M12T-03P-MM-SLBB03-00AH	PM-M12S-04P-MM-SLBB03-00AH	PM-M12T-04P-MM-SLBB03-00AH
	5m	PM-M12S-03P-MM-SLBB05-00AH	PM-M12T-03P-MM-SLBB05-00AH	PM-M12S-04P-MM-SLBB05-00AH	PM-M12T-04P-MM-SLBB05-00AH
	定制化 Customized

M12 x 1 针式成型电缆插头，单端，非屏蔽，弯头。

M12 x 1 Male Overmolded with Cable Plug, Single end, Unshielded, Angled.



技术数据 Technical Data

标准 Standard	IEC 61076	端子载体材料 Contact carriers material	PU
系列 Series	M12, Male, Angled	端子材料 Contact material	Copper Alloy, Gold-plated
Pin针数量 Number of Pins	03,04 Pin	金属螺母 Metal of nut	Zinc Alloy with Nickel Plated
额定电流 Rated Current	12A max.	胶圈 Seal	Silicone
额定电压 Rated voltage	630V max.	电缆外皮材料 Cable jacket material	PUR / PVC
绝缘电阻 Insulation resistance	≥100MΩ	屏蔽 Shielding	Unshielded
接触电阻 Contact resistance	≤5mΩ	机械寿命 Mechanical life	> 100 mating cycles
运行温度 Ambient temperature	-25 ~ +80°C	—	—
防护等级 IP Class	IP68	—	—

针数 Number of Pins	03 Pin		04 Pin		
	编码 Coded	S-Coded	T-Coded	S-Coded	T-Coded
编码 Coding	正视图 Front View				
额定电流 Rated current	A.	12A	12A	12A	12A
额定电压 Rated voltage	V.	630V	63V	630V	63V
电线规格 Wire/Cable	线规 Wire gauge	16AWG	16AWG	16AWG	16AWG
	横截面 Cross section	1.5mm ²	1.5mm ²	1.5mm ²	1.5mm ²
接线表 Wiring list		1.BK1 3.BK3 4.YE/GN	1.BN 3.BU 4.BK	1.BK1 2.BK2 3.BK3 4.YE/GN	1.BN 2.WH 3.BU 4.BK
	描述 Description	订单号 Order NO.	订单号 Order NO.	订单号 Order NO.	订单号 Order NO.
PVC	1m	PM-M12S-03P-MM-SRBA01-00AH	PM-M12T-03P-MM-SRBA01-00AH	PM-M12S-04P-MM-SRBA01-00AH	PM-M12T-04P-MM-SRBA01-00AH
	3m	PM-M12S-03P-MM-SRBA03-00AH	PM-M12T-03P-MM-SRBA03-00AH	PM-M12S-04P-MM-SRBA03-00AH	PM-M12T-04P-MM-SRBA03-00AH
	5m	PM-M12S-03P-MM-SRBA05-00AH	PM-M12T-03P-MM-SRBA05-00AH	PM-M12S-04P-MM-SRBA05-00AH	PM-M12T-04P-MM-SRBA05-00AH
	定制化 Customized
PUR	1m	PM-M12S-03P-MM-SRBB01-00AH	PM-M12T-03P-MM-SRBB01-00AH	PM-M12S-04P-MM-SRBB01-00AH	PM-M12T-04P-MM-SRBB01-00AH
	3m	PM-M12S-03P-MM-SRBB03-00AH	PM-M12T-03P-MM-SRBB03-00AH	PM-M12S-04P-MM-SRBB03-00AH	PM-M12T-04P-MM-SRBB03-00AH
	5m	PM-M12S-03P-MM-SRBB05-00AH	PM-M12T-03P-MM-SRBB05-00AH	PM-M12S-04P-MM-SRBB05-00AH	PM-M12T-04P-MM-SRBB05-00AH
	定制化 Customized

M12 x 1 孔式成型电缆插头，单端，非屏蔽，直头。

M12 x 1 Female Overmolded with Cable Plug, Single end, Unshielded, Straight.

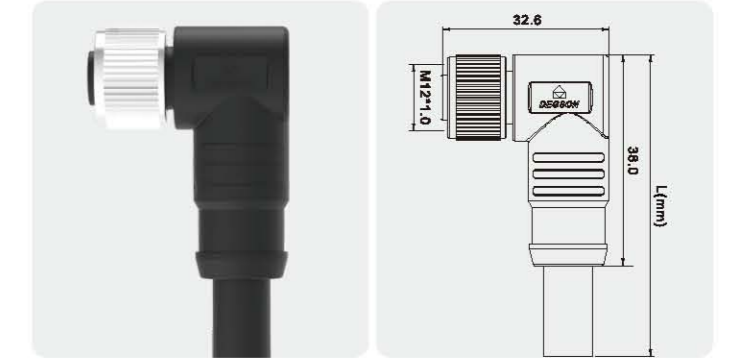

技术数据 Technical Data

标准 Standard	IEC 61076	端子载体材料 Contact carriers material	PU
系列 Series	M12, Female, Straight	端子材料 Contact material	Copper Alloy, Gold-plated
Pin针数量 Number of Pins	03,04 Pin	金属螺母 Metal of nut	Zinc Alloy with Nickel Plated
额定电流 Rated Current	12A max.	胶圈 Seal	Silicone
额定电压 Rated voltage	630V max.	电缆外皮材料 Cable jacket material	PUR / PVC
绝缘电阻 Insulation resistance	≥100MΩ	屏蔽 Shielding	Unshielded
接触电阻 Contact resistance	≤5mΩ	机械寿命 Mechanical life	> 100 mating cycles
运行温度 Ambient temperature	-25 ~ +80°C	—	—
防护等级 IP Class	IP68	—	—

针数 Number of Pins	03 Pin		04 Pin		
	编码 Coded	S-Coded	T-Coded	S-Coded	T-Coded
编码 Coding	正视图 Front View				
额定电流 Rated current	A.	12A	12A	12A	12A
额定电压 Rated voltage	V.	630V	63V	630V	63V
电线电缆 Wire/Cable	线规 Wire gauge	16AWG	16AWG	16AWG	16AWG
	横截面 Cross section	1.5mm ²	1.5mm ²	1.5mm ²	1.5mm ²
接线表 Wiring list		1.BK1 3.BK3 4.YE/GN	1.BN 3.BU 4.BK	1.BK1 2.BK2 3.BK3 4.YE/GN	1.BN 2.WH 3.BU 4.BK
	描述 Description	订单号 Order NO.	订单号 Order NO.	订单号 Order NO.	订单号 Order NO.
PVC	1m	PM-M12S-03P-FF-SL8A01-00AH	PM-M12T-03P-FF-SL8A01-00AH	PM-M12S-04P-FF-SL8A01-00AH	PM-M12T-04P-FF-SL8A01-00AH
	3m	PM-M12S-03P-FF-SL8A03-00AH	PM-M12T-03P-FF-SL8A03-00AH	PM-M12S-04P-FF-SL8A03-00AH	PM-M12T-04P-FF-SL8A03-00AH
	5m	PM-M12S-03P-FF-SL8A05-00AH	PM-M12T-03P-FF-SL8A05-00AH	PM-M12S-04P-FF-SL8A05-00AH	PM-M12T-04P-FF-SL8A05-00AH
	定制化 Customized
PUR	1m	PM-M12S-03P-FF-SL8B01-00AH	PM-M12T-03P-FF-SL8B01-00AH	PM-M12S-04P-FF-SL8B01-00AH	PM-M12T-04P-FF-SL8B01-00AH
	3m	PM-M12S-03P-FF-SL8B03-00AH	PM-M12T-03P-FF-SL8B03-00AH	PM-M12S-04P-FF-SL8B03-00AH	PM-M12T-04P-FF-SL8B03-00AH
	5m	PM-M12S-03P-FF-SL8B05-00AH	PM-M12T-03P-FF-SL8B05-00AH	PM-M12S-04P-FF-SL8B05-00AH	PM-M12T-04P-FF-SL8B05-00AH
	定制化 Customized

M12 x 1 孔式成型电缆插头，单端，非屏蔽，弯头。

M12 x 1 Female Overmolded with Cable Plug, Single end, Unshielded, Angled.

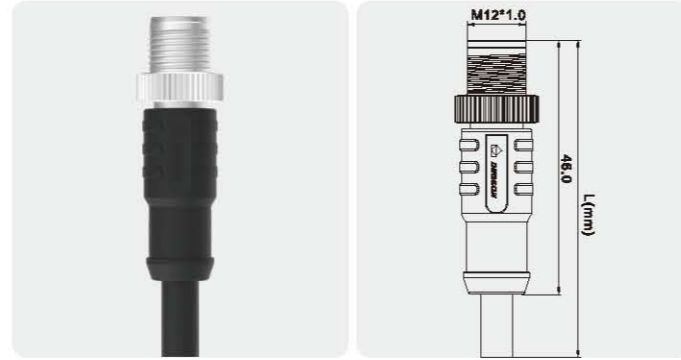

技术数据 Technical Data

标准 Standard	IEC 61076	端子载体材料 Contact carriers material	PU
系列 Series	M12, Female, Angled	端子材料 Contact material	Copper Alloy, Gold-plated
Pin针数量 Number of Pins	03,04 Pin	金属螺母 Metal of nut	Zinc Alloy with Nickel Plated
额定电流 Rated Current	12A max.	胶圈 Seal	Silicone
额定电压 Rated voltage	630V max.	电缆外皮材料 Cable jacket material	PUR / PVC
绝缘电阻 Insulation resistance	≥100MΩ	屏蔽 Shielding	Unshielded
接触电阻 Contact resistance	≤5mΩ	机械寿命 Mechanical life	> 100 mating cycles
运行温度 Ambient temperature	-25 ~ +80°C	—	—
防护等级 IP Class	IP68	—	—

针数 Number of Pins	03 Pin		04 Pin		
	编码 Coded	S-Coded	T-Coded	S-Coded	T-Coded
编码 Coding	正视图 Front View				
额定电流 Rated current	A.	12A	12A	12A	12A
额定电压 Rated voltage	V.	630V	63V	630V	63V
电线电缆 Wire/Cable	线规 Wire gauge	16AWG	16AWG	16AWG	16AWG
	横截面 Cross section	1.5mm ²	1.5mm ²	1.5mm ²	1.5mm ²
接线表 Wiring list		1.BK1 3.BK3 4.YE/GN	1.BN 3.BU 4.BK	1.BK1 2.BK2 3.BK3 4.YE/GN	1.BN 2.WH 3.BU 4.BK
	描述 Description	订单号 Order NO.	订单号 Order NO.	订单号 Order NO.	订单号 Order NO.
PVC	1m	PM-M12S-03P-FF-SR8A01-00AH	PM-M12T-03P-FF-SR8A01-00AH	PM-M12S-04P-FF-SR8A01-00AH	PM-M12T-04P-FF-SR8A01-00AH
	3m	PM-M12S-03P-FF-SR8A03-00AH	PM-M12T-03P-FF-SR8A03-00AH	PM-M12S-04P-FF-SR8A03-00AH	PM-M12T-04P-FF-SR8A03-00AH
	5m	PM-M12S-03P-FF-SR8A05-00AH	PM-M12T-03P-FF-SR8A05-00AH	PM-M12S-04P-FF-SR8A05-00AH	PM-M12T-04P-FF-SR8A05-00AH
	定制化 Customized
PUR	1m	PM-M12S-03P-FF-SR8B01-00AH	PM-M12T-03P-FF-SR8B01-00AH	PM-M12S-04P-FF-SR8B01-00AH	PM-M12T-04P-FF-SR8B01-00AH
	3m	PM-M12S-03P-FF-SR8B03-00AH	PM-M12T-03P-FF-SR8B03-00AH	PM-M12S-04P-FF-SR8B03-00AH	PM-M12T-04P-FF-SR8B03-00AH
	5m	PM-M12S-03P-FF-SR8B05-00AH	PM-M12T-03P-FF-SR8B05-00AH	PM-M12S-04P-FF-SR8B05-00AH	PM-M12T-04P-FF-SR8B05-00AH
	定制化 Customized

M12 x 1 针式成型电缆插头，单端，屏蔽，直头。

M12 x 1 Male Overmolded with Cable Plug, Single end, Shielded, Straight.


技术数据 Technical Data

标准 Standard	IEC 61076	端子载体材料 Contact carriers material	PA
系列 Series	M12, Male, Straight	端子材料 Contact material	Copper Alloy, Gold-plated
Pin针数量 Number of Pins	08 Pin	金属螺母 Metal of nut	Zinc Alloy with Nickel Plated
额定电流 Rated Current	0.5A max.	胶圈 Seal	Silicone
额定电压 Rated voltage	50V AC / 60V DC	电缆外皮材料 Cable Jacket material	PUR / PVC
绝缘电阻 Insulation resistance	≥100MΩ	屏蔽 Shielding	Shielded
接触电阻 Contact resistance	≤5mΩ	机械寿命 Mechanical life	> 100 mating cycles
运行温度 Ambient temperature	-25 ~ +75°C	—	—
防护等级 IP Class	IP67	—	—

针数 Number of Pins		08 Pin
编码 Coding	编码 Coded	X-Coded
	正面图 Front View	
额定电流 Rated current	A.	0.5A
额定电压 Rated voltage	V.	50V AC / 60V DC
电线电缆 Wire/Cable	线规 Wire gauge	26AWG
	横截面 Cross section	0.14mm ²
	接线表 Wiring list	1.WH 2.OG 3.WH 4.GN 5.WH 6.BN 7.WH 8.BU
描述 Description	订单号 Order NO.	
CAT6A	1m	PMSH-M12X-08P-MM-SL7X01-00AH
	3m	PMSH-M12X-08P-MM-SL7X03-00AH
	5m	PMSH-M12X-08P-MM-SL7X05-00AH
	定制化 Customized

M12 x 1 孔式成型电缆插头，单端，屏蔽，弯头。

M12 x 1 Female Overmolded with Cable Plug, Single end, Shielded, Straight.

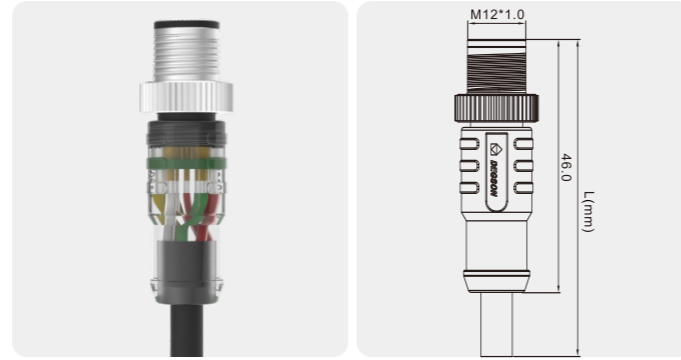

技术数据 Technical Data

标准 Standard	IEC 61076	端子载体材料 Contact carriers material	PA
系列 Series	M12, Female, Straight	端子材料 Contact material	Copper Alloy, Gold-plated
Pin针数量 Number of Pins	08 Pin	金属螺母 Metal of nut	Zinc Alloy with Nickel Plated
额定电流 Rated Current	0.5A max.	胶圈 Seal	Silicone
额定电压 Rated voltage	50V AC / 60V DC	电缆外皮材料 Cable Jacket material	PUR / PVC
绝缘电阻 Insulation resistance	≥100MΩ	屏蔽 Shielding	Shielded
接触电阻 Contact resistance	≤5mΩ	机械寿命 Mechanical life	> 100 mating cycles
运行温度 Ambient temperature	-25 ~ +75°C	—	—
防护等级 IP Class	IP67	—	—

针数 Number of Pins		08 Pin
编码 Coding	编码 Coded	X-Coded
	正面图 Front View	
额定电流 Rated current	A.	0.5A
额定电压 Rated voltage	V.	50V AC / 60V DC
电线电缆 Wire/Cable	线规 Wire gauge	26AWG
	横截面 Cross section	0.14mm ²
	接线表 Wiring list	1.WH 2.OG 3.WH 4.GN 5.WH 6.BN 7.WH 8.BU
描述 Description	订单号 Order NO.	
CAT6A	1m	PMSH-M12X-08P-MM-SL7X01-00AH
	3m	PMSH-M12X-08P-MM-SL7X03-00AH
	5m	PMSH-M12X-08P-MM-SL7X05-00AH
	定制化 Customized

M12 x 1 针式成型电缆插头，单端，非屏蔽，直头，LED。

M12 x 1 Male Overmolded with Cable Plug, Single end, Unshielded, Straight, LED.

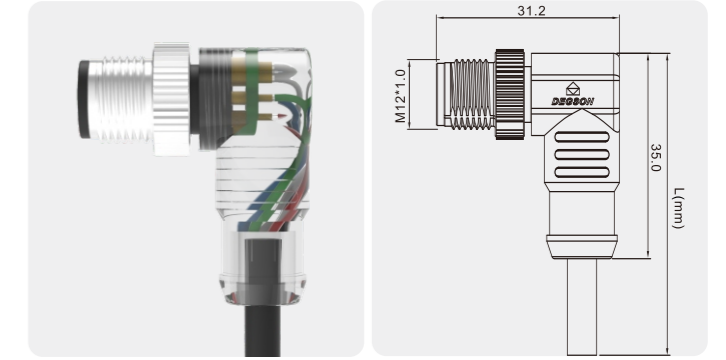

技术数据 Technical Data

标准 Standard	IEC 61076	端子载体材料 Contact carriers material	PU
系列 Series	M12, Male, Straight	端子材料 Contact material	Copper Alloy, Gold-plated
Pin针数量 Number of Pins	04, 05 Pin	金属螺母 Metal of nut	Zinc Alloy with Nickel Plated
额定电流 Rated Current	4A max.	胶圈 Seal	Silicone
额定电压 Rated voltage	250V max.	电缆外皮材料 Cable jacket material	PUR / PVC
绝缘电阻 Insulation resistance	≥100MΩ	屏蔽 Shielding	Unshielded
接触电阻 Contact resistance	≤5mΩ	机械寿命 Mechanical life	> 100 mating cycles
运行温度 Ambient temperature	-25 ~ +80°C	—	—
防护等级 IP Class	IP68	—	—

针数 Number of Pins		04 Pin	05 Pin
编码 Coding	编码 Coded	A-Coded	A-Coded
	正面图 Front View		
额定电流 Rated current	A.	4A	4A
额定电压 Rated voltage	V.	250V	60V
电线电缆 Wire/Cable	线规 Wire gauge	22AWG	22AWG
	横截面 Cross section	0.34mm ²	0.34mm ²
	接线表 Wiring list	1.BN 2.WH 3.BU 4.BK	1.BN 2.WH 3.BU 4.BK 5.GY
描述 Description	订单号 Order NO.	订单号 Order NO.	订单号 Order NO.
PVC	1m	PL-M12A-04P-MM-SL8A01-00AH	PL-M12A-05P-MM-SL8A01-00AH
	3m	PL-M12A-04P-MM-SL8A03-00AH	PL-M12A-05P-MM-SL8A03-00AH
	5m	PL-M12A-04P-MM-SL8A05-00AH	PL-M12A-05P-MM-SL8A05-00AH
	定制化 Customized
PUR	1m	PL-M12A-04P-MM-SL8B01-00AH	PL-M12A-05P-MM-SL8B01-00AH
	3m	PL-M12A-04P-MM-SL8B03-00AH	PL-M12A-05P-MM-SL8B03-00AH
	5m	PL-M12A-04P-MM-SL8B05-00AH	PL-M12A-05P-MM-SL8B05-00AH
	定制化 Customized

M12 x 1 针式成型电缆插头，单端，非屏蔽，弯头，LED。

M12 x 1 Male Overmolded with Cable Plug, Single end, Unshielded, Angled, LED.

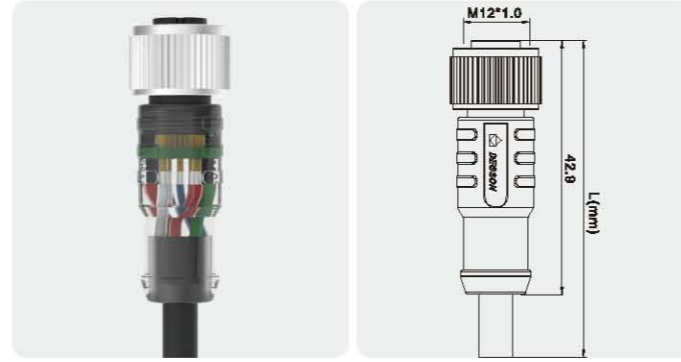

技术数据 Technical Data

标准 Standard	IEC 61076	端子载体材料 Contact carriers material	PU
系列 Series	M12, Male, Angled	端子材料 Contact material	Copper Alloy, Gold-plated
Pin针数量 Number of Pins	04, 05 Pin	金属螺母 Metal of nut	Zinc Alloy with Nickel Plated
额定电流 Rated Current	4A max.	胶圈 Seal	Silicone
额定电压 Rated voltage	250V max.	电缆外皮材料 Cable jacket material	PUR / PVC
绝缘电阻 Insulation resistance	≥100MΩ	屏蔽 Shielding	Unshielded
接触电阻 Contact resistance	≤5mΩ	机械寿命 Mechanical life	> 100 mating cycles
运行温度 Ambient temperature	-25 ~ +80°C	—	—
防护等级 IP Class	IP68	—	—

针数 Number of Pins		04 Pin	05 Pin
编码 Coding	编码 Coded	A-Coded	A-Coded
	正面图 Front View		
额定电流 Rated current	A.	4A	4A
额定电压 Rated voltage	V.	250V	60V
电线电缆 Wire/Cable	线规 Wire gauge	22AWG	22AWG
	横截面 Cross section	0.34mm ²	0.34mm ²
	接线表 Wiring list	1.BN 2.WH 3.BU 4.BK	1.BN 2.WH 3.BU 4.BK 5.GY
描述 Description	订单号 Order NO.	订单号 Order NO.	订单号 Order NO.
PVC	1m	PL-M12A-04P-MM-SR8A01-00AH	PL-M12A-05P-MM-SR8A01-00AH
	3m	PL-M12A-04P-MM-SR8A03-00AH	PL-M12A-05P-MM-SR8A03-00AH
	5m	PL-M12A-04P-MM-SR8A05-00AH	PL-M12A-05P-MM-SR8A05-00AH
	定制化 Customized
PUR	1m	PL-M12A-04P-MM-SR8B01-00AH	PL-M12A-05P-MM-SR8B01-00AH
	3m	PL-M12A-04P-MM-SR8B03-00AH	PL-M12A-05P-MM-SR8B03-00AH
	5m	PL-M12A-04P-MM-SR8B05-00AH	PL-M12A-05P-MM-SR8B05-00AH
	定制化 Customized

M12 x 1 孔式成型电缆插头，单端，非屏蔽，直头，LED。

M12 x 1 Female Overmolded with Cable Plug, Single end, Unshielded, Straight, LED.

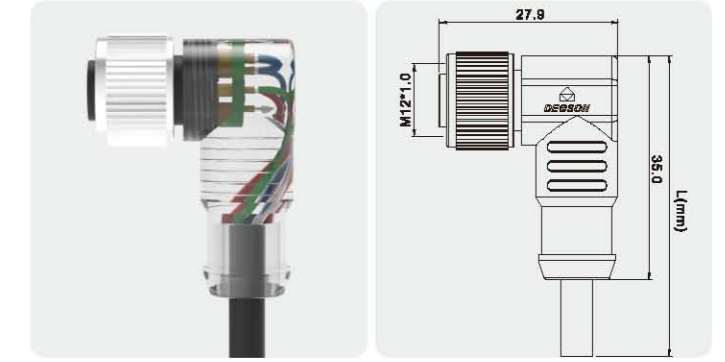

技术数据 Technical Data

标准 Standard	IEC 61076	端子载体材料 Contact carriers material	PU
系列 Series	M12, Female, Straight	端子材料 Contact material	Copper Alloy, Gold-plated
Pin针数量 Number of Pins	04,05 Pin	金属螺母 Metal of nut	Zinc Alloy with Nickel Plated
额定电流 Rated Current	4A max.	胶圈 Seal	Silicone
额定电压 Rated voltage	250V max.	电缆外皮材料 Cable jacket material	PUR / PVC
绝缘电阻 Insulation resistance	≥100MΩ	屏蔽 Shielding	Unshielded
接触电阻 Contact resistance	≤5mΩ	机械寿命 Mechanical life	> 100 mating cycles
运行温度 Ambient temperature	-25 ~ +80℃	—	—
防护等级 IP Class	IP68	—	—

针数 Number of Pins		04 Pin	05 Pin
编码 Coding	编码 Coded	A-Coded	A-Coded
	正面图 Front View		
额定电流 Rated current	A.	4A	4A
额定电压 Rated voltage	V.	250V	60V
电线电缆 Wire/Cable	线规 Wire gauge	22AWG	22AWG
	横截面 Cross section	0.34mm²	0.34mm²
	接线表 Wiring list	1.BN 2.WH 3.BU 4.BK	1.BN 2.WH 3.BU 4.BK 5.GY
描述 Description	订单号 Order NO.		
PVC	1m	PL-M12A-04P-FF-SL8A01-00AH	PL-M12A-05P-FF-SL8A01-00AH
	3m	PL-M12A-04P-FF-SL8A03-00AH	PL-M12A-05P-FF-SL8A03-00AH
	5m	PL-M12A-04P-FF-SL8A05-00AH	PL-M12A-05P-FF-SL8A05-00AH
	定制化 Customized
PUR	1m	PL-M12A-04P-FF-SL8B01-00AH	PL-M12A-05P-FF-SL8B01-00AH
	3m	PL-M12A-04P-FF-SL8B03-00AH	PL-M12A-05P-FF-SL8B03-00AH
	5m	PL-M12A-04P-FF-SL8B05-00AH	PL-M12A-05P-FF-SL8B05-00AH
	定制化 Customized

M12 x 1 孔式成型电缆插头，单端，非屏蔽，弯头，LED。

M12 x 1 Female Overmolded with Cable Plug, Single end, Unshielded, Angled, LED.


技术数据 Technical Data

标准 Standard	IEC 61076	端子载体材料 Contact carriers material	PU
系列 Series	M12, Female, Angled	端子材料 Contact material	Copper Alloy, Gold-plated
Pin针数量 Number of Pins	04,05 Pin	金属螺母 Metal of nut	Zinc Alloy with Nickel Plated
额定电流 Rated Current	4A max.	胶圈 Seal	Silicone
额定电压 Rated voltage	250V max.	电缆外皮材料 Cable jacket material	PUR / PVC
绝缘电阻 Insulation resistance	≥100MΩ	屏蔽 Shielding	Unshielded
接触电阻 Contact resistance	≤5mΩ	机械寿命 Mechanical life	> 100 mating cycles
运行温度 Ambient temperature	-25 ~ +80℃	—	—
防护等级 IP Class	IP68	—	—

针数 Number of Pins		04 Pin	05 Pin
编码 Coding	编码 Coded	A-Coded	A-Coded
	正面图 Front View		
额定电流 Rated current	A.	4A	4A
额定电压 Rated voltage	V.	250V	60V
电线电缆 Wire/Cable	线规 Wire gauge	22AWG	22AWG
	横截面 Cross section	0.34mm²	0.34mm²
	接线表 Wiring list	1.BN 2.WH 3.BU 4.BK	1.BN 2.WH 3.BU 4.BK 5.GY
描述 Description	订单号 Order NO.		
PVC	1m	PL-M12A-04P-FF-SR8A01-00AH	PL-M12A-05P-FF-SR8A01-00AH
	3m	PL-M12A-04P-FF-SR8A03-00AH	PL-M12A-05P-FF-SR8A03-00AH
	5m	PL-M12A-04P-FF-SR8A05-00AH	PL-M12A-05P-FF-SR8A05-00AH
	定制化 Customized
PUR	1m	PL-M12A-04P-FF-SR8B01-00AH	PL-M12A-05P-FF-SR8B01-00AH
	3m	PL-M12A-04P-FF-SR8B03-00AH	PL-M12A-05P-FF-SR8B03-00AH
	5m	PL-M12A-04P-FF-SR8B05-00AH	PL-M12A-05P-FF-SR8B05-00AH
	定制化 Customized

M12 x 1 针式面板安装插座，板后安装，带0.5m导线。

M12 x 1 Male Panel Mount Receptacle, Rear Mounting, With 0.5m wires.


技术数据 Technical Data

标准 Standard	IEC 61076	端子载体材料 Contact carriers material	PA
系列 Series	M12, Male	端子材料 Contact material	Copper Alloy, Gold-plated
Pin针数量 Number of Pins	03,04,05,06,08,10,12 Pin	金属螺母 Metal of nut	Zinc Alloy with Nickel Plated
额定电流 Rated Current	4A max.	胶圈 Seal	Silicone
额定电压 Rated voltage	250V max.	屏蔽 Shielding	Unshielded
绝缘电阻 Insulation resistance	≥100MΩ	机械寿命 Mechanical life	> 100 mating cycles
接触电阻 Contact resistance	≤5mΩ		
运行温度 Ambient temperature	-25 ~ +80℃		
防护等级 IP Class	IP68		

针数 Number of Pins		03 Pin	04 Pin	05 Pin	06 Pin	08 Pin
编码 Coding	编码 Coded	A-Coded	A-Coded	A-Coded	A-Coded	A-Coded
	正面图 Front View					
额定电流 Rated current	A.	4A	4A	4A	2A	2A
额定电压 Rated voltage	V.	250V	250V	80V	30V	30V
电线电缆 Wire/Cable	线规 Wire gauge	22AWG	22AWG	22AWG	24AWG	24AWG
	横截面 Cross section	0.34mm ²	0.34mm ²	0.34mm ²	0.25mm ²	0.25mm ²
	接线表 Wiring list	1.BN 3.BU 4.BK	1.BN 2.WH 3.BU 4.BK	1.BN 2.WH 3.BU 4.BK 5.GY	1.WH 2.BN 3.GN 4.YE 5.GY 6.PK 7.BU	1.WH 2.BN 3.GN 4.YE 5.GY 6.PK 7.BU 8.RD
描述 Description	订单号 Order NO.	订单号 Order NO.	订单号 Order NO.	订单号 Order NO.	订单号 Order NO.	订单号 Order NO.
PG9	0.5m	SD-M12A-03P-MM-SF8A50-00AH	SD-M12A-04P-MM-SF8A50-00AH	SD-M12A-05P-MM-SF8A50-00AH	SD-M12A-06P-MM-SF8A50-00AH	SD-M12A-08P-MM-SF8A50-00AH
	定制化 Customized
M16*1.5	0.5m	SD-M12A-03P-MM-SF8B50-00AH	SD-M12A-04P-MM-SF8B50-00AH	SD-M12A-05P-MM-SF8B50-00AH	SD-M12A-06P-MM-SF8B50-00AH	SD-M12A-08P-MM-SF8B50-00AH
	定制化 Customized

M12 x 1 针式面板安装插座，板后安装，带0.5m导线。

M12 x 1 Male Panel Mount Receptacle, Rear Mounting, With 0.5m wires.


技术数据 Technical Data

标准 Standard	IEC 61076	端子载体材料 Contact carriers material	PA
系列 Series	M12, Male	端子材料 Contact material	Copper Alloy, Gold-plated
Pin针数量 Number of Pins	03,04,05,06,08,10,12 Pin	金属螺母 Metal of nut	Zinc Alloy with Nickel Plated
额定电流 Rated Current	4A max.	胶圈 Seal	Silicone
额定电压 Rated voltage	250V max.	屏蔽 Shielding	Unshielded
绝缘电阻 Insulation resistance	≥100MΩ	机械寿命 Mechanical life	> 100 mating cycles
接触电阻 Contact resistance	≤5mΩ		
运行温度 Ambient temperature	-25 ~ +80℃		
防护等级 IP Class	IP68		

针数 Number of Pins		10 Pin	12 Pin	05 Pin	04 Pin
编码 Coding	编码 Coded	A-Coded	A-Coded	B-Coded	D-Coded
	正面图 Front View				
额定电流 Rated current	A.	1.5A	1.5A	4A	4A
额定电压 Rated voltage	V.	30V	30V	80V	250V
电线电缆 Wire/Cable	线规 Wire gauge	28AWG	28AWG	22AWG	22AWG
	横截面 Cross section	0.14mm ²	0.14mm ²	0.34mm ²	0.34mm ²
	接线表 Wiring list	1.BN 2.BU 3.WH 4.GN 5.PK 6.YW 7.BK 8.GY 9.RD 10.VT	1.BN 2.BU 3.WH 4.GN 5.PK 6.YW 7.BK 8.GY 9.RD 10.VT 11.GY/PK 12.RD/BU	1.BN 2.WH 3.BU 4.BK 5.GY	1.BN 2.WH 3.BU 4.BK
描述 Description	订单号 Order NO.	订单号 Order NO.	订单号 Order NO.	订单号 Order NO.	订单号 Order NO.
PG9	0.5m	SD-M12A-10P-MM-SF8A50-00AH	SD-M12A-12P-MM-SF8A50-00AH	SD-M12B-05P-MM-SF8A50-00AH	SD-M12D-04P-MM-SF8A50-00AH
	定制化 Customized
M16*1.5	0.5m	SD-M12A-10P-MM-SF8B50-00AH	SD-M12A-12P-MM-SF8B50-00AH	SD-M12B-05P-MM-SF8B50-00AH	SD-M12D-04P-MM-SF8B50-00AH
	定制化 Customized

M12 x 1 针式面板安装插座，板前安装，带0.5m导线。

M12 x 1 Male Panel Mount Receptacle, Front Mounting, With 0.5m wires.



技术数据 Technical Data

标准 Standard	IEC 61076	端子载体材料 Contact carriers material	PA
系列 Series	M12, Male	端子材料 Contact material	Copper Alloy, Gold-plated
Pin针数量 Number of Pins	03,04,05,06,08,10,12 Pin	金属螺母 Metal of nut	Zinc Alloy with Nickel Plated
额定电流 Rated Current	4A max.	胶圈 Seal	Silicone
额定电压 Rated voltage	250V max.	屏蔽 Shielding	Unshielded
绝缘电阻 Insulation resistance	≥100MΩ	机械寿命 Mechanical life	> 100 mating cycles
接触电阻 Contact resistance	≤5mΩ		
运行温度 Ambient temperature	-25 ~ +80℃		
防护等级 IP Class	IP68		

针数 Number of Pins		03 Pin	04 Pin	05 Pin	06 Pin	08 Pin
编码 Coding	编码 Coded	A-Coded	A-Coded	A-Coded	A-Coded	A-Coded
	正视图 Front View					
额定电流 Rated current	A	4A	4A	4A	2A	2A
额定电压 Rated voltage	V.	250V	250V	60V	30V	30V
电线规格 Wire gauge	线规	22AWG	22AWG	22AWG	24AWG	24AWG
	横截面 Cross section	0.34mm²	0.34mm²	0.34mm²	0.25mm²	0.25mm²
电线/电缆 Wire/Cable	接线表 Wiring list	1.BN 3.BU 4.BK	1.BN 2.WH 3.BU 4.BK	1.BN 2.WH 3.BU 4.BK 5.GY	1.WH 2.BN 3.GN 4.YE 5.GY 6.PK 7.BU	1.WH 2.BN 3.GN 4.YE 5.GY 6.PK 7.BU 8.RD
	描述 Description	0.5m	0.5m	0.5m	0.5m	0.5m
PG9	定制 Customized	SD-M12A-03P-MM-SH-BA50-00AH	SD-M12A-04P-MM-SH-BA50-00AH	SD-M12A-05P-MM-SH-BA50-00AH	SD-M12A-06P-MM-SH-BA50-00AH	SD-M12A-08P-MM-SH-BA50-00AH
	定制 Customized	SD-M12A-03P-MM-SH-BE50-00AH	SD-M12A-04P-MM-SH-BE50-00AH	SD-M12A-05P-MM-SH-BE50-00AH	SD-M12A-06P-MM-SH-BE50-00AH	SD-M12A-08P-MM-SH-BE50-00AH
M16*1.5	定制 Customized	SD-M12A-03P-MM-SH-BE50-00AH	SD-M12A-04P-MM-SH-BE50-00AH	SD-M12A-05P-MM-SH-BE50-00AH	SD-M12A-06P-MM-SH-BE50-00AH	SD-M12A-08P-MM-SH-BE50-00AH
	定制 Customized	SD-M12A-03P-MM-SH-BE50-00AH	SD-M12A-04P-MM-SH-BE50-00AH	SD-M12A-05P-MM-SH-BE50-00AH	SD-M12A-06P-MM-SH-BE50-00AH	SD-M12A-08P-MM-SH-BE50-00AH

M12 x 1 针式面板安装插座，板前安装，带0.5m导线。

M12 x 1 Male Panel Mount Receptacle, Front Mounting, With 0.5m wires.



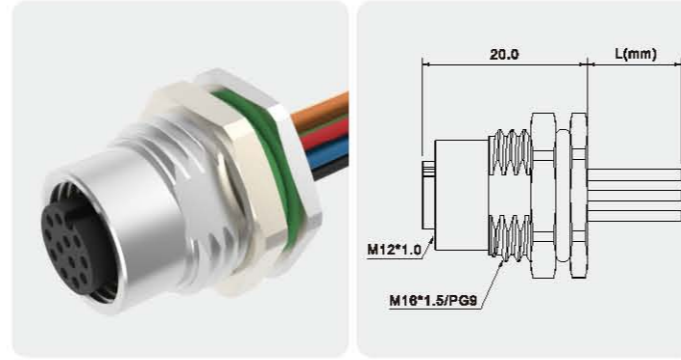
技术数据 Technical Data

标准 Standard	IEC 61076	端子载体材料 Contact carriers material	PA
系列 Series	M12, Male	端子材料 Contact material	Copper Alloy, Gold-plated
Pin针数量 Number of Pins	03,04,05,06,08,10,12 Pin	金属螺母 Metal of nut	Zinc Alloy with Nickel Plated
额定电流 Rated Current	4A max.	胶圈 Seal	Silicone
额定电压 Rated voltage	250V max.	屏蔽 Shielding	Unshielded
绝缘电阻 Insulation resistance	≥100MΩ	机械寿命 Mechanical life	> 100 mating cycles
接触电阻 Contact resistance	≤5mΩ		
运行温度 Ambient temperature	-25 ~ +80℃		
防护等级 IP Class	IP68		

针数 Number of Pins		10 Pin	12 Pin	05 Pin	04 Pin
编码 Coding	编码 Coded	A-Coded	A-Coded	B-Coded	D-Coded
	正视图 Front View				
额定电流 Rated current	A	1.5A	1.5A	4A	4A
额定电压 Rated voltage	V.	30V	30V	60V	250V
电线规格 Wire gauge	线规	26AWG	26AWG	22AWG	22AWG
	横截面 Cross section	0.14mm²	0.14mm²	0.34mm²	0.34mm²
电线/电缆 Wire/Cable	接线表 Wiring list	1.BN 2.BU 3.WH 4.GN 5.PK 6.YW 7.BK 8.GY 9.RD 10.VT	1.BN 2.BU 3.WH 4.GN 5.PK 6.YW 7.BK 8.GY 9.RD 10.VT 11.GY/PAK 12.RD/BU	1.BN 2.WH 3.BU 4.BK 5.GY	1.BN 2.WH 3.BU 4.BK
	描述 Description	0.5m	0.5m	0.5m	0.5m
PG9	定制 Customized	SD-M12A-10P-MM-SH-BA50-00AH	SD-M12A-12P-MM-SH-BA50-00AH	SD-M12B-05P-MM-SH-BA50-00AH	SD-M12D-04P-MM-SH-BA50-00AH
	定制 Customized	SD-M12A-10P-MM-SH-BE50-00AH	SD-M12A-12P-MM-SH-BE50-00AH	SD-M12B-05P-MM-SH-BE50-00AH	SD-M12D-04P-MM-SH-BE50-00AH
M16*1.5	定制 Customized	SD-M12A-10P-MM-SH-BE50-00AH	SD-M12A-12P-MM-SH-BE50-00AH	SD-M12B-05P-MM-SH-BE50-00AH	SD-M12D-04P-MM-SH-BE50-00AH
	定制 Customized	SD-M12A-10P-MM-SH-BE50-00AH	SD-M12A-12P-MM-SH-BE50-00AH	SD-M12B-05P-MM-SH-BE50-00AH	SD-M12D-04P-MM-SH-BE50-00AH

M12 x 1 孔式面板安装插座，板后安装，带0.5m导线。

M12 x 1 Female Panel Mount Receptacle, Rear Mounting, With 0.5m wires.



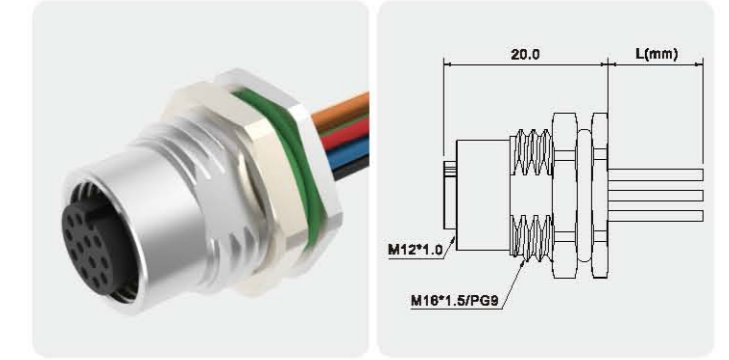
技术数据 Technical Data

标准 Standard	IEC 61076	端子载体材料 Contact carriers material	PA
系列 Series	M12, Female	端子材料 Contact material	Copper Alloy, Gold-plated
Pin针数量 Number of Pins	03,04,05,06,08,10,12 Pin	金属螺母 Metal of nut	Zinc Alloy with Nickel Plated
额定电流 Rated Current	4A max.	胶圈 Seal	Silicone
额定电压 Rated voltage	250V max.	屏蔽 Shielding	Unshielded
绝缘电阻 Insulation resistance	≥100MΩ	机械寿命 Mechanical life	> 100 mating cycles
接触电阻 Contact resistance	≤5mΩ		
运行温度 Ambient temperature	-25 ~ +80°C		
防护等级 IP Class	IP68		

针数 Number of Pins		03 Pin	04 Pin	05 Pin	06 Pin	08 Pin
编码 Coding	编码 Coded	A-Coded	A-Coded	A-Coded	A-Coded	A-Coded
	正面图 Front View					
额定电流 Rated current	A.	4A	4A	4A	2A	2A
额定电压 Rated voltage	V.	250V	250V	60V	30V	30V
电线规格 Wire/Cable	线规 Wire gauge	22AWG	22AWG	22AWG	24AWG	24AWG
	横截面 Cross section	0.34mm ²	0.34mm ²	0.34mm ²	0.25mm ²	0.25mm ²
电线规格 Wire/Cable	接线表 Wiring list	1.BN 3.BU 4.BK	1.BN 2.WH 3.BU 4.BK	1.BN 2.WH 3.BU 4.BK 5.GY	1.WH 2.BN 3.GN 4.YE 5.GY 6.PK 7.BU	1.WH 2.BN 3.GN 4.YE 5.GY 6.PK 7.BU 8.RD
	描述 Description	订单号 Order NO.	订单号 Order NO.	订单号 Order NO.	订单号 Order NO.	订单号 Order NO.
PG9	0.5m	SD-M12A-03P-FF-SF8A50-00AH	SD-M12A-04P-FF-SF8A50-00AH	SD-M12A-05P-FF-SF8A50-00AH	SD-M12A-06P-FF-SF8A50-00AH	SD-M12A-08P-FF-SF8A50-00AH
	定制化 Customized
M16*1.5	0.5m	SD-M12A-03P-FF-SF8B50-00AH	SD-M12A-04P-FF-SF8B50-00AH	SD-M12A-05P-FF-SF8B50-00AH	SD-M12A-06P-FF-SF8B50-00AH	SD-M12A-08P-FF-SF8B50-00AH
	定制化 Customized

M12 x 1 孔式面板安装插座，板后安装，带0.5m导线。

M12 x 1 Female Panel Mount Receptacle, Rear Mounting, With 0.5m wires.



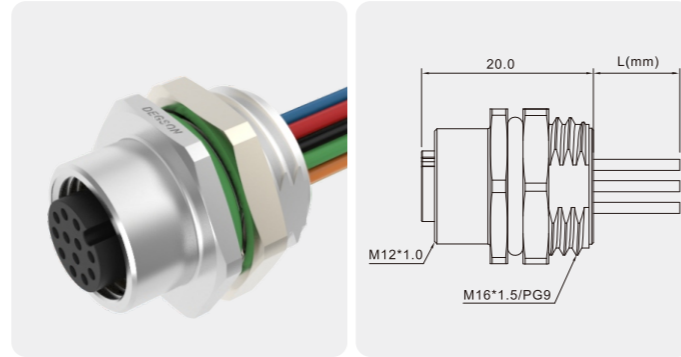
技术数据 Technical Data

标准 Standard	IEC 61076	端子载体材料 Contact carriers material	PA
系列 Series	M12, Female	端子材料 Contact material	Copper Alloy, Gold-plated
Pin针数量 Number of Pins	03,04,05,06,08,10,12 Pin	金属螺母 Metal of nut	Zinc Alloy with Nickel Plated
额定电流 Rated Current	4A max.	胶圈 Seal	Silicone
额定电压 Rated voltage	250V max.	屏蔽 Shielding	Unshielded
绝缘电阻 Insulation resistance	≥100MΩ	机械寿命 Mechanical life	> 100 mating cycles
接触电阻 Contact resistance	≤5mΩ		
运行温度 Ambient temperature	-25 ~ +80°C		
防护等级 IP Class	IP68		

针数 Number of Pins		10 Pin	12 Pin	05 Pin	04 Pin
编码 Coding	编码 Coded	A-Coded	A-Coded	B-Coded	D-Coded
	正面图 Front View				
额定电流 Rated current	A.	1.5A	1.5A	4A	4A
额定电压 Rated voltage	V.	30V	30V	60V	250V
电线规格 Wire/Cable	线规 Wire gauge	28AWG	28AWG	22AWG	22AWG
	横截面 Cross section	0.14mm ²	0.14mm ²	0.34mm ²	0.34mm ²
电线规格 Wire/Cable	接线表 Wiring list	1.BN 2.BU 3.WH 4.GN 5.PK 6.YW 7.BK 8.GY 9.RD 10.VT	1.BN 2.BU 3.WH 4.GN 5.PK 6.YW 7.BK 8.GY 9.RD 10.VT 11.GY/PK 12.RD/BU	1.BN 2.WH 3.BU 4.BK 5.GY	1.BN 2.WH 3.BU 4.BK
	描述 Description	订单号 Order NO.	订单号 Order NO.	订单号 Order NO.	订单号 Order NO.
PG9	0.5m	SD-M12A-10P-FF-SF8A50-00AH	SD-M12A-12P-FF-SF8A50-00AH	SD-M12B-05P-FF-SF8A50-00AH	SD-M12D-04P-FF-SF8A50-00AH
	定制化 Customized
M16*1.5	0.5m	SD-M12A-10P-FF-SF8B50-00AH	SD-M12A-12P-FF-SF8B50-00AH	SD-M12B-05P-FF-SF8B50-00AH	SD-M12D-04P-FF-SF8B50-00AH
	定制化 Customized

M12 x 1 孔式面板安装插座，板前安装，带0.5m导线。

M12 x 1 Female Panel Mount Receptacle, Front Mounting, With 0.5m wires.



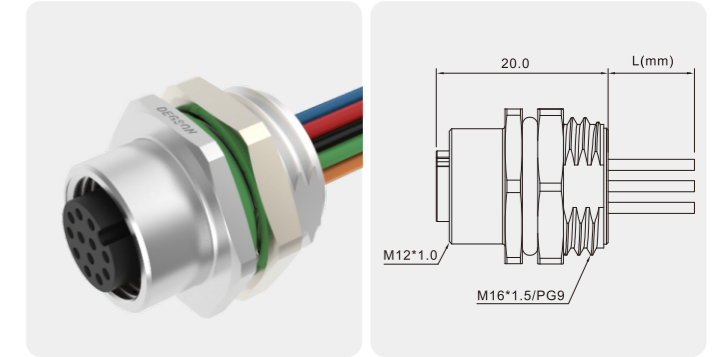
技术数据 Technical Data

标准 Standard	IEC 61076	端子载体材料 Contact carriers material	PA
系列 Series	M12, Female	端子材料 Contact material	Copper Alloy, Gold-plated
Pin针数量 Number of Pins	03,04,05,06,08,10,12 Pin	金属螺母 Metal of nut	Zinc Alloy with Nickel Plated
额定电流 Rated Current	4A max.	胶圈 Seal	Silicone
额定电压 Rated voltage	250V max.	屏蔽 Shielding	Unshielded
绝缘电阻 Insulation resistance	≥100MΩ	机械寿命 Mechanical life	> 100 mating cycles
接触电阻 Contact resistance	≤5mΩ	—	—
运行温度 Ambient temperature	-25 ~ +80℃	—	—
防护等级 IP Class	IP68	—	—

针数 Number of Pins		03 Pin	04 Pin	05 Pin	06 Pin	08 Pin
编码 Coding	编码 Coded	A-Coded	A-Coded	A-Coded	A-Coded	A-Coded
	正面图 Front View					
额定电流 Rated current	A.	4A	4A	4A	2A	2A
额定电压 Rated voltage	V.	250V	250V	60V	30V	30V
电线电缆 Wire/Cable	线规 Wire gauge	22AWG	22AWG	22AWG	24AWG	24AWG
	横截面 Cross section	0.34mm ²	0.34mm ²	0.34mm ²	0.25mm ²	0.25mm ²
	接线表 Wiring list	1.BN 3.BU 4.BK	1.BN 2.WH 3.BU 4.BK	1.BN 2.WH 3.BU 4.BK 5.GY	1.WH 2.BN 3.GN 4.YE 6.PK 7.BU	1.WH 2.BN 3.GN 4.YE 5.GY 6.PK 7.BU 8.RD
描述 Description	订单号 Order NO.	订单号 Order NO.	订单号 Order NO.	订单号 Order NO.	订单号 Order NO.	订单号 Order NO.
PG9	0.5m	SD-M12A-03P-FF-SH8A50-00AH	SD-M12A-04P-FF-SH8A50-00AH	SD-M12A-05P-FF-SH8A50-00AH	SD-M12A-06P-FF-SH8A50-00AH	SD-M12A-08P-FF-SH8A50-00AH
	定制化 Customized
M16*1.5	0.5m	SD-M12A-03P-FF-SH8B50-00AH	SD-M12A-04P-FF-SH8B50-00AH	SD-M12A-05P-FF-SH8B50-00AH	SD-M12A-06P-FF-SH8B50-00AH	SD-M12A-08P-FF-SH8B50-00AH
	定制化 Customized

M12 x 1 孔式面板安装插座，板前安装，带0.5m导线。

M12 x 1 Female Panel Mount Receptacle, Front Mounting, With 0.5m wires.



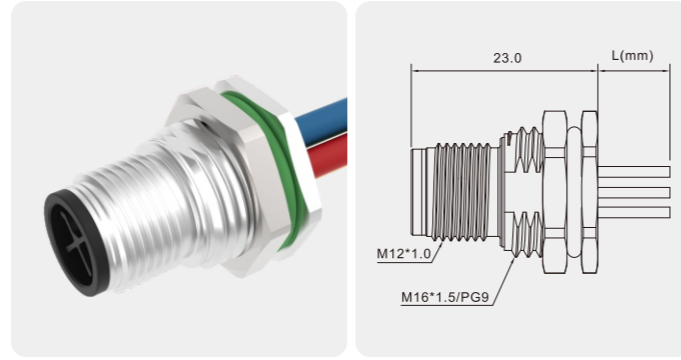
技术数据 Technical Data

标准 Standard	IEC 61076	端子载体材料 Contact carriers material	PA
系列 Series	M12, Female	端子材料 Contact material	Copper Alloy, Gold-plated
Pin针数量 Number of Pins	03,04,05,06,08,10,12 Pin	金属螺母 Metal of nut	Zinc Alloy with Nickel Plated
额定电流 Rated Current	4A max.	胶圈 Seal	Silicone
额定电压 Rated voltage	250V max.	屏蔽 Shielding	Unshielded
绝缘电阻 Insulation resistance	≥100MΩ	机械寿命 Mechanical life	> 100 mating cycles
接触电阻 Contact resistance	≤5mΩ	—	—
运行温度 Ambient temperature	-25 ~ +80℃	—	—
防护等级 IP Class	IP68	—	—

针数 Number of Pins		10 Pin	12 Pin	05 Pin	04 Pin
编码 Coding	编码 Coded	A-Coded	A-Coded	B-Coded	D-Coded
	正面图 Front View				
额定电流 Rated current	A.	1.5A	1.5A	4A	4A
额定电压 Rated voltage	V.	30V	30V	60V	250V
电线电缆 Wire/Cable	线规 Wire gauge	26AWG	26AWG	22AWG	22AWG
	横截面 Cross section	0.14mm ²	0.14mm ²	0.34mm ²	0.34mm ²
	接线表 Wiring list	1.BN 2.BU 3.WH 4.GN 5.PK 6.YW 7.BK 8.GY 9.RD 10.VT	1.BN 2.BU 3.WH 4.GN 5.PK 6.YW 7.BK 8.GY 9.RD 10.VT 11.GY/PK 12.RD/BU	1.BN 2.WH 3.BU 4.BK 5.GY	1.BN 2.WH 3.BU 4.BK
描述 Description	订单号 Order NO.	订单号 Order NO.	订单号 Order NO.	订单号 Order NO.	订单号 Order NO.
PG9	0.5m	SD-M12A-10P-FF-SH8A50-00AH	SD-M12A-12P-FF-SH8A50-00AH	SD-M12B-05P-FF-SH8A50-00AH	SD-M12D-04P-FF-SH8A50-00AH
	定制化 Customized
M16*1.5	0.5m	SD-M12A-10P-FF-SH8B50-00AH	SD-M12A-12P-FF-SH8B50-00AH	SD-M12B-05P-FF-SH8B50-00AH	SD-M12D-04P-FF-SH8B50-00AH
	定制化 Customized

M12 x 1 针式面板安装插座，板后安装，带0.5m导线。

M12 x 1 Male Panel Mount Receptacle, Rear Mounting, With 0.5m wires.



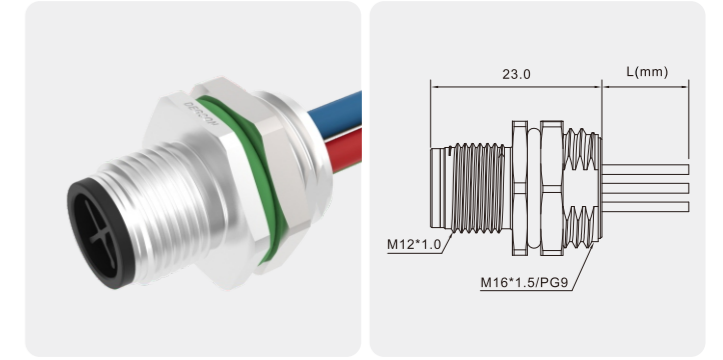
技术数据 Technical Data

标准 Standard	IEC 61076	端子载体材料 Contact carriers material	PA
系列 Series	M12, Male	端子材料 Contact material	Copper Alloy, Gold-plated
Pin针数量 Number of Pins	03,04 Pin	金属螺母 Metal of nut	Zinc Alloy with Nickel Plated
额定电流 Rated Current	12A max.	胶圈 Seal	Silicone
额定电压 Rated voltage	630V max.	屏蔽 Shielding	Unshielded
绝缘电阻 Insulation resistance	≥100MΩ	机械寿命 Mechanical life	> 100 mating cycles
接触电阻 Contact resistance	≤5mΩ	—	—
运行温度 Ambient temperature	-25 ~ +80℃	—	—
防护等级 IP Class	IP68	—	—

针数 Number of Pins		03 Pin		04 Pin	
编码 Coding	编码 Coded	S-Coded	T-Coded	S-Coded	T-Coded
正面图 Front View					
额定电流 Rated current	A.	12A	12A	12A	12A
额定电压 Rated voltage	V.	630V	63V	630V	63V
电线电缆 Wire/Cable	线规 Wire gauge	16AWG	16AWG	16AWG	16AWG
	横截面 Cross section	1.5mm ²	1.5mm ²	1.5mm ²	1.5mm ²
接线表 Wiring list		1.BK1 3.BK3 4.YE/GN	1.BN 3.BU 4.BK	1.BK1 2.BK2 3.BK3 4.YE/GN	1.BN 2.WH 3.BU 4.BK
描述 Description	订单号 Order NO.	订单号 Order NO.	订单号 Order NO.	订单号 Order NO.	订单号 Order NO.
PG9	0.5m	SD-M12S-03P-MM-SF8A50-00AH	SD-M12T-03P-MM-SF8A50-00AH	SD-M12S-04P-MM-SF8A50-00AH	SD-M12T-04P-MM-SF8A50-00AH
	定制化 Customized
M16*1.5	0.5m	SD-M12S-03P-MM-SF8B50-00AH	SD-M12T-03P-MM-SF8B50-00AH	SD-M12S-04P-MM-SF8B50-00AH	SD-M12T-04P-MM-SF8B50-00AH
	定制化 Customized

M12 x 1 针式面板安装插座，板前安装，带0.5m导线。

M12 x 1 Male Panel Mount Receptacle, Front Mounting, With 0.5m wires.



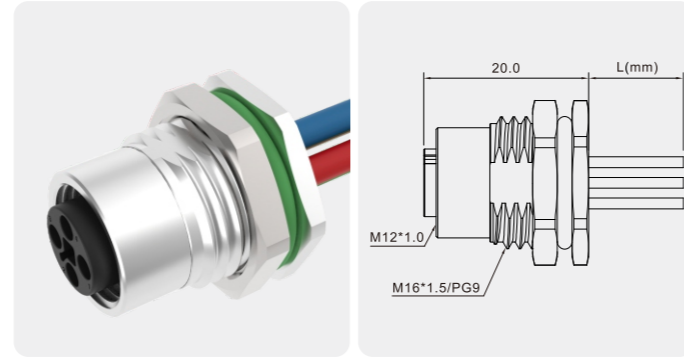
技术数据 Technical Data

标准 Standard	IEC 61076	端子载体材料 Contact carriers material	PA
系列 Series	M12, Male	端子材料 Contact material	Copper Alloy, Gold-plated
Pin针数量 Number of Pins	03,04 Pin	金属螺母 Metal of nut	Zinc Alloy with Nickel Plated
额定电流 Rated Current	12A max.	胶圈 Seal	Silicone
额定电压 Rated voltage	630V max.	屏蔽 Shielding	Unshielded
绝缘电阻 Insulation resistance	≥100MΩ	机械寿命 Mechanical life	> 100 mating cycles
接触电阻 Contact resistance	≤5mΩ	—	—
运行温度 Ambient temperature	-25 ~ +80℃	—	—
防护等级 IP Class	IP68	—	—

针数 Number of Pins		03 Pin		04 Pin	
编码 Coding	编码 Coded	S-Coded	T-Coded	S-Coded	T-Coded
正面图 Front View					
额定电流 Rated current	A.	12A	12A	12A	12A
额定电压 Rated voltage	V.	630V	63V	630V	63V
电线电缆 Wire/Cable	线规 Wire gauge	16AWG	16AWG	16AWG	16AWG
	横截面 Cross section	1.5mm ²	1.5mm ²	1.5mm ²	1.5mm ²
接线表 Wiring list		1.BK1 3.BK3 4.YE/GN	1.BN 3.BU 4.BK	1.BK1 2.BK2 3.BK3 4.YE/GN	1.BN 2.WH 3.BU 4.BK
描述 Description	订单号 Order NO.	订单号 Order NO.	订单号 Order NO.	订单号 Order NO.	订单号 Order NO.
PG9	0.5m	SD-M12S-03P-MM-SH8A50-00AH	SD-M12T-03P-MM-SH8A50-00AH	SD-M12S-04P-MM-SH8A50-00AH	SD-M12T-04P-MM-SH8A50-00AH
	定制化 Customized
M16*1.5	0.5m	SD-M12S-03P-MM-SH8B50-00AH	SD-M12T-03P-MM-SH8B50-00AH	SD-M12S-04P-MM-SH8B50-00AH	SD-M12T-04P-MM-SH8B50-00AH
	定制化 Customized

M12 x 1 孔式面板安装插座，板后安装，带0.5m导线。

M12 x 1 Female Panel Mount Receptacle, Rear Mounting, With 0.5m wires.



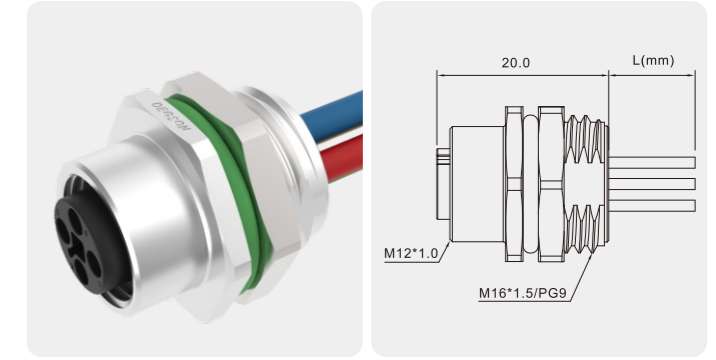
技术数据 Technical Data

标准 Standard	IEC 61076	端子载体材料 Contact carriers material	PA
系列 Series	M12, Female	端子材料 Contact material	Copper Alloy, Gold-plated
Pin针数量 Number of Pins	03,04 Pin	金属螺母 Metal of nut	Zinc Alloy with Nickel Plated
额定电流 Rated Current	12A max.	胶圈 Seal	Silicone
额定电压 Rated voltage	630V max.	屏蔽 Shielding	Unshielded
绝缘电阻 Insulation resistance	≥100MΩ	机械寿命 Mechanical life	> 100 mating cycles
接触电阻 Contact resistance	≤5mΩ	—	—
运行温度 Ambient temperature	-25 ~ +80℃	—	—
防护等级 IP Class	IP68	—	—

针数 Number of Pins		03 Pin		04 Pin	
编码 Coding	编码 Coded	S-Coded	T-Coded	S-Coded	T-Coded
正面图 Front View					
额定电流 Rated current	A.	12A	12A	12A	12A
额定电压 Rated voltage	V.	630V	63V	630V	63V
电线电缆 Wire/Cable	线规 Wire gauge	16AWG	16AWG	16AWG	16AWG
	横截面 Cross section	1.5mm ²	1.5mm ²	1.5mm ²	1.5mm ²
接线表 Wiring list		1.BK1 3.BK3 4.YE/GN	1.BN 3.BU 4.BK	1.BK1 2.BK2 3.BK3 4.YE/GN	1.BN 2.WH 3.BU 4.BK
描述 Description	订单号 Order NO.	SD-M12S-03P-FF-SF8A50-00AH	SD-M12T-03P-FF-SF8A50-00AH	SD-M12S-04P-FF-SF8A50-00AH	SD-M12T-04P-FF-SF8A50-00AH
PG9	0.5m	SD-M12S-03P-FF-SF8A50-00AH	SD-M12T-03P-FF-SF8A50-00AH	SD-M12S-04P-FF-SF8A50-00AH	SD-M12T-04P-FF-SF8A50-00AH
	定制化 Customized
M16*1.5	0.5m	SD-M12S-03P-FF-SF8B50-00AH	SD-M12T-03P-FF-SF8B50-00AH	SD-M12S-04P-FF-SF8B50-00AH	SD-M12T-04P-FF-SF8B50-00AH
	定制化 Customized

M12 x 1 孔式面板安装插座，板前安装，带0.5m导线。

M12 x 1 Female Panel Mount Receptacle, Front Mounting, With 0.5m wires.



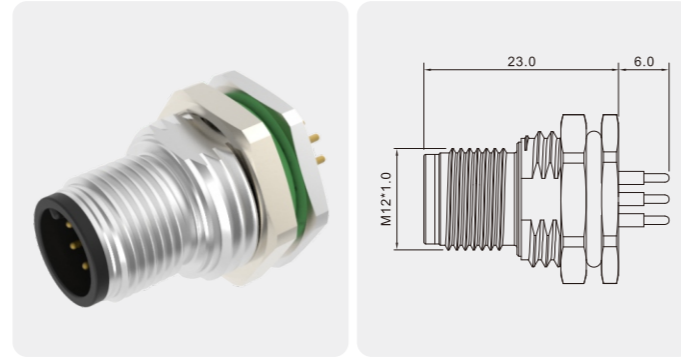
技术数据 Technical Data

标准 Standard	IEC 61076	端子载体材料 Contact carriers material	PA
系列 Series	M12, Female	端子材料 Contact material	Copper Alloy, Gold-plated
Pin针数量 Number of Pins	03,04 Pin	金属螺母 Metal of nut	Zinc Alloy with Nickel Plated
额定电流 Rated Current	12A max.	胶圈 Seal	Silicone
额定电压 Rated voltage	630V max.	屏蔽 Shielding	Unshielded
绝缘电阻 Insulation resistance	≥100MΩ	机械寿命 Mechanical life	> 100 mating cycles
接触电阻 Contact resistance	≤5mΩ	—	—
运行温度 Ambient temperature	-25 ~ +80℃	—	—
防护等级 IP Class	IP68	—	—

针数 Number of Pins		03 Pin		04 Pin	
编码 Coding	编码 Coded	S-Coded	T-Coded	S-Coded	T-Coded
正面图 Front View					
额定电流 Rated current	A.	12A	12A	12A	12A
额定电压 Rated voltage	V.	630V	63V	630V	63V
电线电缆 Wire/Cable	线规 Wire gauge	16AWG	16AWG	16AWG	16AWG
	横截面 Cross section	1.5mm ²	1.5mm ²	1.5mm ²	1.5mm ²
接线表 Wiring list		1.BK1 3.BK3 4.YE/GN	1.BN 3.BU 4.BK	1.BK1 2.BK2 3.BK3 4.YE/GN	1.BN 2.WH 3.BU 4.BK
描述 Description	订单号 Order NO.	SD-M12S-03P-FF-SH8A50-00AH	SD-M12T-03P-FF-SH8A50-00AH	SD-M12S-04P-FF-SH8A50-00AH	SD-M12T-04P-FF-SH8A50-00AH
PG9	0.5m	SD-M12S-03P-FF-SH8A50-00AH	SD-M12T-03P-FF-SH8A50-00AH	SD-M12S-04P-FF-SH8A50-00AH	SD-M12T-04P-FF-SH8A50-00AH
	定制化 Customized
M16*1.5	0.5m	SD-M12S-03P-FF-SH8B50-00AH	SD-M12T-03P-FF-SH8B50-00AH	SD-M12S-04P-FF-SH8B50-00AH	SD-M12T-04P-FF-SH8B50-00AH
	定制化 Customized

M12 x 1 针式面板安装插座，板后安装，非屏蔽，PCB焊接。

M12 x 1 Male Panel Mount Receptacle, Rear Mounting, Unshielded, PCB Soldering.

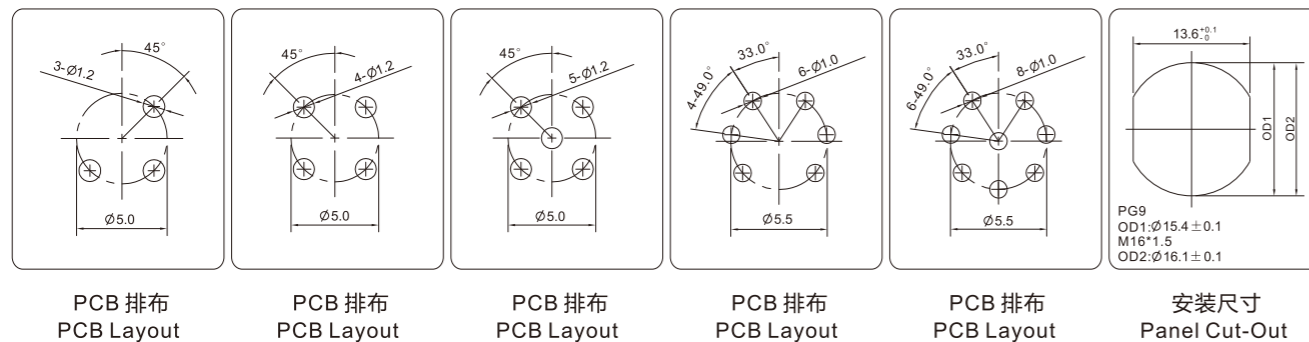


技术数据 Technical Data

标准 Standard	IEC 61076	端子载体材料 Contact carriers material	PA
系列 Series	M12, Male	端子材料 Contact material	Copper Alloy, Gold-plated
Pin针数量 Number of Pins	03,04,05,06,08,10,12 Pin	金属螺母 Metal of nut	Zinc Alloy with Nickel Plated
额定电流 Rated Current	4A max.	胶圈 Seal	Silicone
额定电压 Rated voltage	250V max.	机械寿命 Mechanical life	> 100 mating cycles
绝缘电阻 Insulation resistance	≥100MΩ		
接触电阻 Contact resistance	≤5mΩ		
运行温度 Ambient temperature	-40 ~ +105℃		
防护等级 IP Class	IP68		

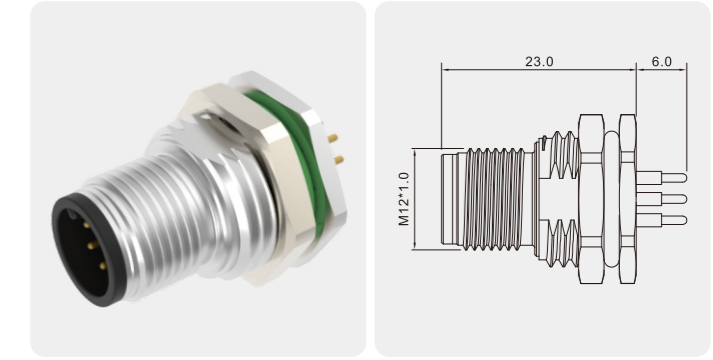
针数 Number of Pins		03 Pin	04 Pin	05 Pin	06 Pin	08 Pin
编码 Coding	编码 Coded	A-Coded	A-Coded	A-Coded	A-Coded	A-Coded
	正面图 Front View					
额定电流 Rated current	A.	4A	4A	4A	2A	2A
额定电压 Rated voltage	V.	250V	250V	60V	30V	30V
描述 Description	订单号 Order NO.	订单号 Order NO.	订单号 Order NO.	订单号 Order NO.	订单号 Order NO.	订单号 Order NO.
PG9	SP-M12A-03P-MM-SF8001-00AH	SP-M12A-04P-MM-SF8001-00AH	SP-M12A-05P-MM-SF8001-00AH	SP-M12A-06P-MM-SF8001-00AH	SP-M12A-08P-MM-SF8001-00AH	
定制化 Customized
M16*1.5	SP-M12A-03P-MM-SF8002-00AH	SP-M12A-04P-MM-SF8002-00AH	SP-M12A-05P-MM-SF8002-00AH	SP-M12A-06P-MM-SF8002-00AH	SP-M12A-08P-MM-SF8002-00AH	
定制化 Customized

尺寸图 Dimension Figure



M12 x 1 针式面板安装插座，板后安装，非屏蔽，PCB焊接。

M12 x 1 Male Panel Mount Receptacle, Rear Mounting, Unshielded, PCB Soldering.

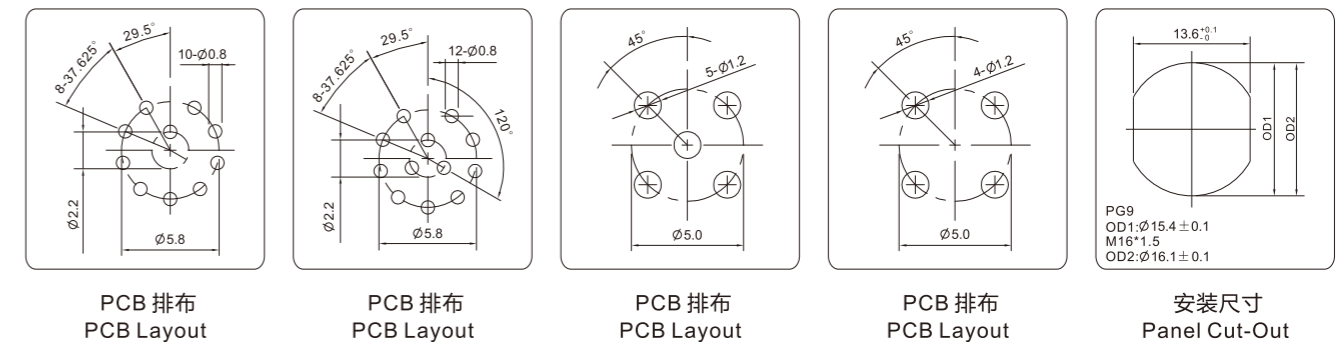


技术数据 Technical Data

标准 Standard	IEC 61076	端子载体材料 Contact carriers material	PA
系列 Series	M12, Male	端子材料 Contact material	Copper Alloy, Gold-plated
Pin针数量 Number of Pins	03,04,05,06,08,10,12 Pin	金属螺母 Metal of nut	Zinc Alloy with Nickel Plated
额定电流 Rated Current	4A max.	胶圈 Seal	Silicone
额定电压 Rated voltage	250V max.	机械寿命 Mechanical life	> 100 mating cycles
绝缘电阻 Insulation resistance	≥100MΩ		
接触电阻 Contact resistance	≤5mΩ		
运行温度 Ambient temperature	-40 ~ +105℃		
防护等级 IP Class	IP68		

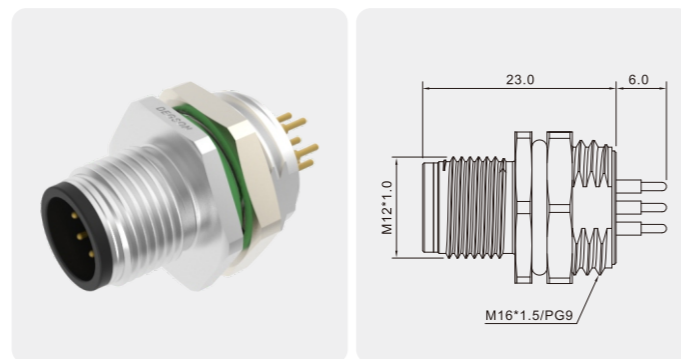
针数 Number of Pins		10 Pin	12 Pin	05 Pin	04 Pin
编码 Coding	编码 Coded	A-Coded	A-Coded	B-Coded	D-Coded
	正面图 Front View				
额定电流 Rated current	A.	1.5A	1.5A	4A	4A
额定电压 Rated voltage	V.	30V	30V	60V	250V
描述 Description	订单号 Order NO.	订单号 Order NO.	订单号 Order NO.	订单号 Order NO.	订单号 Order NO.
PG9	SP-M12A-10P-MM-SF8001-00AH	SP-M12A-12P-MM-SF8001-00AH	SP-M12B-05P-MM-SF8001-00AH	SP-M12D-04P-MM-SF8001-00AH	
定制化 Customized
M16*1.5	SP-M12A-10P-MM-SF8002-00AH	SP-M12A-12P-MM-SF8002-00AH	SP-M12B-05P-MM-SF8002-00AH	SP-M12D-04P-MM-SF8002-00AH	
定制化 Customized

尺寸图 Dimension Figure



M12 x 1 针式面板安装插座，板前安装，非屏蔽，PCB焊接。

M12 x 1 Male Panel Mount Receptacle, Front Mounting, Unshielded, PCB Soldering.

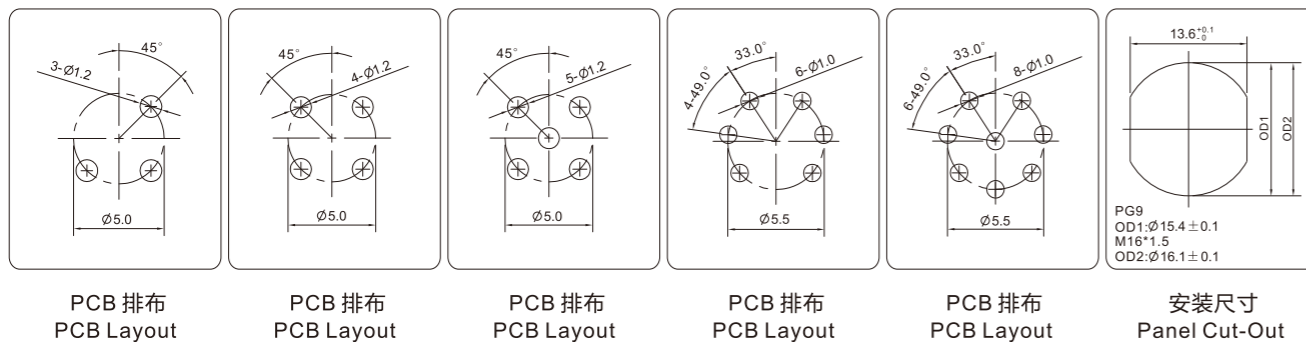


技术数据 Technical Data

标准 Standard	IEC 61076	端子载体材料 Contact carriers material	PA
系列 Series	M12, Male	端子材料 Contact material	Copper Alloy, Gold-plated
Pin针数量 Number of Pins	03,04,05,06,08,10,12 Pin	金属螺母 Metal of nut	Zinc Alloy with Nickel Plated
额定电流 Rated Current	4A max.	胶圈 Seal	Silicone
额定电压 Rated voltage	250V max.	机械寿命 Mechanical life	> 100 mating cycles
绝缘电阻 Insulation resistance	≥100MΩ		
接触电阻 Contact resistance	≤5mΩ		
运行温度 Ambient temperature	-40 ~ +105℃		
防护等级 IP Class	IP68		

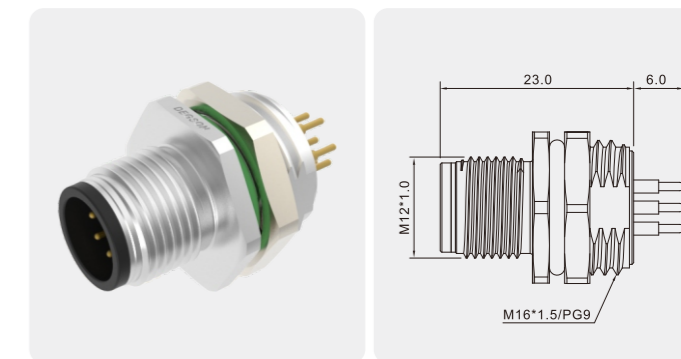
针数 Number of Pins		03 Pin	04 Pin	05 Pin	06 Pin	08 Pin
编码 Coding	编码 Coded	A-Coded	A-Coded	A-Coded	A-Coded	A-Coded
	正面图 Front View					
额定电流 Rated current	A.	4A	4A	4A	2A	2A
额定电压 Rated voltage	V.	250V	250V	60V	30V	30V
描述 Description	订单号 Order NO.	订单号 Order NO.	订单号 Order NO.	订单号 Order NO.	订单号 Order NO.	订单号 Order NO.
PG9	SP-M12A-03P-MM-SH8001-00AH	SP-M12A-04P-MM-SH8001-00AH	SP-M12A-05P-MM-SH8001-00AH	SP-M12A-06P-MM-SH8001-00AH	SP-M12A-08P-MM-SH8001-00AH	
定制化 Customized
M16*1.5	SP-M12A-03P-MM-SH8002-00AH	SP-M12A-04P-MM-SH8002-00AH	SP-M12A-05P-MM-SH8002-00AH	SP-M12A-06P-MM-SH8002-00AH	SP-M12A-08P-MM-SH8002-00AH	
定制化 Customized

尺寸图 Dimension Figure



M12 x 1 针式面板安装插座，板前安装，非屏蔽，PCB焊接。

M12 x 1 Male Panel Mount Receptacle, Front Mounting, Unshielded, PCB Soldering.

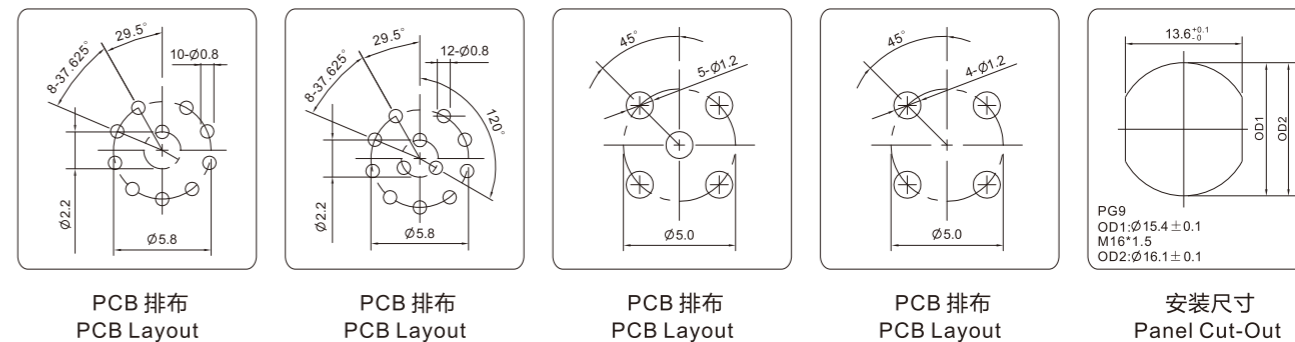


技术数据 Technical Data

标准 Standard	IEC 61076	端子载体材料 Contact carriers material	PA
系列 Series	M12, Male	端子材料 Contact material	Copper Alloy, Gold-plated
Pin针数量 Number of Pins	03,04,05,06,08,10,12 Pin	金属螺母 Metal of nut	Zinc Alloy with Nickel Plated
额定电流 Rated Current	4A max.	胶圈 Seal	Silicone
额定电压 Rated voltage	250V max.	机械寿命 Mechanical life	> 100 mating cycles
绝缘电阻 Insulation resistance	≥100MΩ		
接触电阻 Contact resistance	≤5mΩ		
运行温度 Ambient temperature	-40 ~ +105℃		
防护等级 IP Class	IP68		

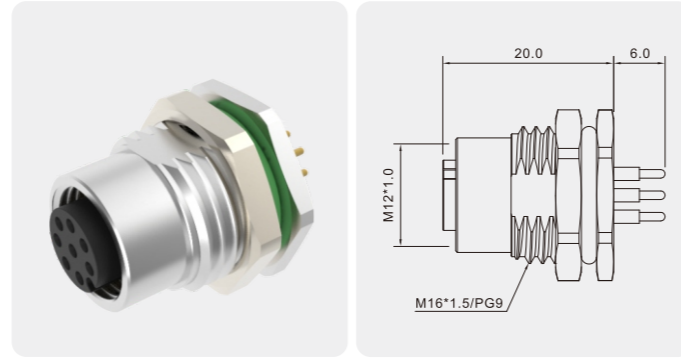
针数 Number of Pins		10 Pin	12 Pin	05 Pin	04 Pin
编码 Coding	编码 Coded	A-Coded	A-Coded	B-Coded	D-Coded
	正面图 Front View				
额定电流 Rated current	A.	1.5A	1.5A	4A	4A
额定电压 Rated voltage	V.	30V	30V	60V	250V
描述 Description	订单号 Order NO.	订单号 Order NO.	订单号 Order NO.	订单号 Order NO.	订单号 Order NO.
PG9	SP-M12A-10P-MM-SH8001-00AH	SP-M12A-12P-MM-SH8001-00AH	SP-M12B-05P-MM-SH8001-00AH	SP-M12D-04P-MM-SH8001-00AH	
定制化 Customized
M16*1.5	SP-M12A-10P-MM-SH8002-00AH	SP-M12A-12P-MM-SH8002-00AH	SP-M12B-05P-MM-SH8002-00AH	SP-M12D-04P-MM-SH8002-00AH	
定制化 Customized

尺寸图 Dimension Figure



M12 x 1 孔式面板安装插座，板后安装，非屏蔽，PCB焊接。

M12 x 1 Female Panel Mount Receptacle, Rear Mounting, Unshielded, PCB Soldering.

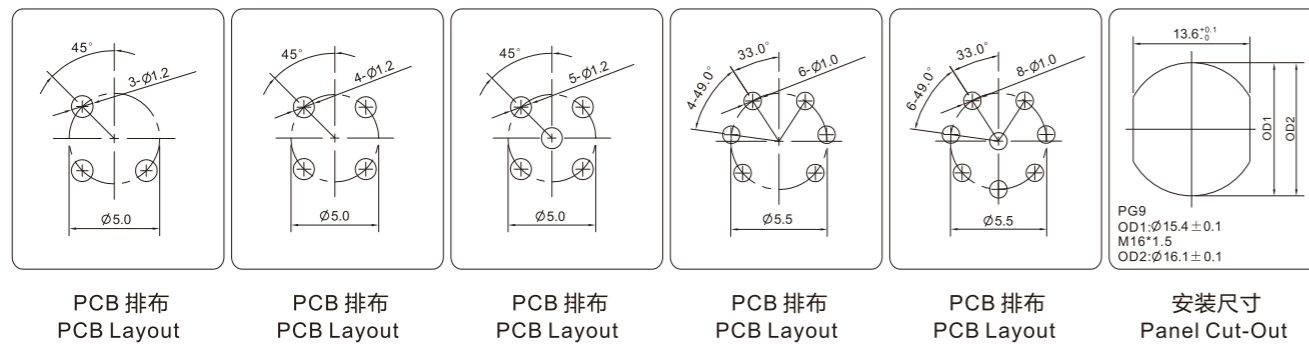


技术数据 Technical Data

标准 Standard	IEC 61076	端子载体材料 Contact carriers material	PA
系列 Series	M12, Female	端子材料 Contact material	Copper Alloy, Gold-plated
Pin针数量 Number of Pins	03,04,05,06,08,10,12 Pin	金属螺母 Metal of nut	Zinc Alloy with Nickel Plated
额定电流 Rated Current	4A max.	胶圈 Seal	Silicone
额定电压 Rated voltage	250V max.	机械寿命 Mechanical life	> 100 mating cycles
绝缘电阻 Insulation resistance	≥100MΩ		
接触电阻 Contact resistance	≤5mΩ		
运行温度 Ambient temperature	-40 ~ +105℃		
防护等级 IP Class	IP68		

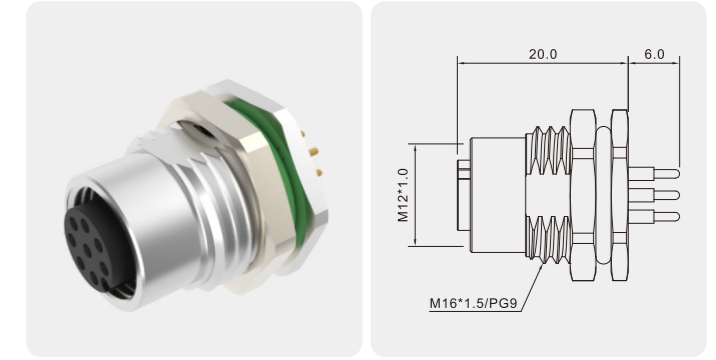
针数 Number of Pins		03 Pin	04 Pin	05 Pin	06 Pin	08 Pin
编码 Coding	编码 Coded	A-Coded	A-Coded	A-Coded	A-Coded	A-Coded
	正面图 Front View					
额定电流 Rated current	A.	4A	4A	4A	2A	2A
额定电压 Rated voltage	V.	250V	250V	60V	30V	30V
描述 Description	订单号 Order NO.	订单号 Order NO.	订单号 Order NO.	订单号 Order NO.	订单号 Order NO.	订单号 Order NO.
PG9	SP-M12A-03P-FF-SF8001-00AH	SP-M12A-04P-FF-SF8001-00AH	SP-M12A-05P-FF-SF8001-00AH	SP-M12A-06P-FF-SF8001-00AH	SP-M12A-08P-FF-SF8001-00AH	
定制化 Customized
M16*1.5	SP-M12A-03P-FF-SF8002-00AH	SP-M12A-04P-FF-SF8002-00AH	SP-M12A-05P-FF-SF8002-00AH	SP-M12A-06P-FF-SF8002-00AH	SP-M12A-08P-FF-SF8002-00AH	
定制化 Customized

尺寸图 Dimension Figure



M12 x 1 孔式面板安装插座，板后安装，非屏蔽，PCB焊接。

M12 x 1 Female Panel Mount Receptacle, Rear Mounting, Unshielded, PCB Soldering.

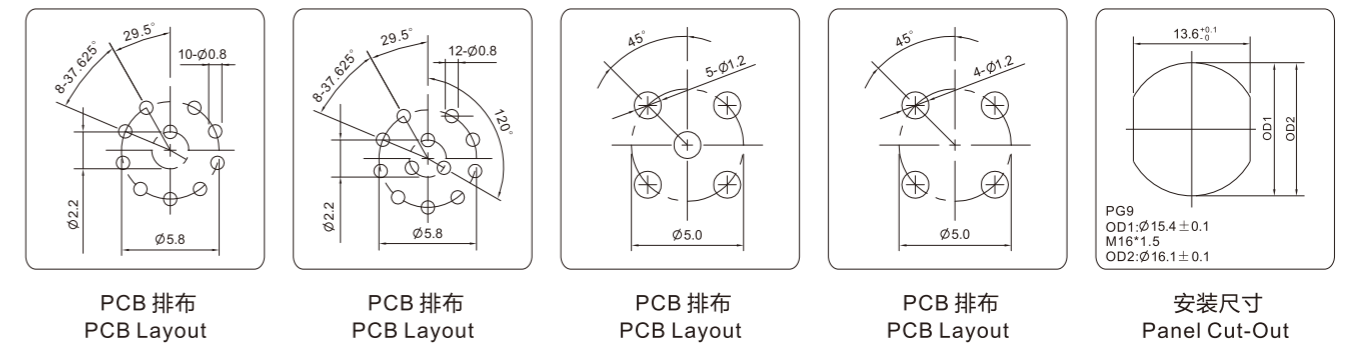


技术数据 Technical Data

标准 Standard	IEC 61076	端子载体材料 Contact carriers material	PA
系列 Series	M12, Female	端子材料 Contact material	Copper Alloy, Gold-plated
Pin针数量 Number of Pins	03,04,05,06,08,10,12 Pin	金属螺母 Metal of nut	Zinc Alloy with Nickel Plated
额定电流 Rated Current	4A max.	胶圈 Seal	Silicone
额定电压 Rated voltage	250V max.	机械寿命 Mechanical life	> 100 mating cycles
绝缘电阻 Insulation resistance	≥100MΩ		
接触电阻 Contact resistance	≤5mΩ		
运行温度 Ambient temperature	-40 ~ +105℃		
防护等级 IP Class	IP68		

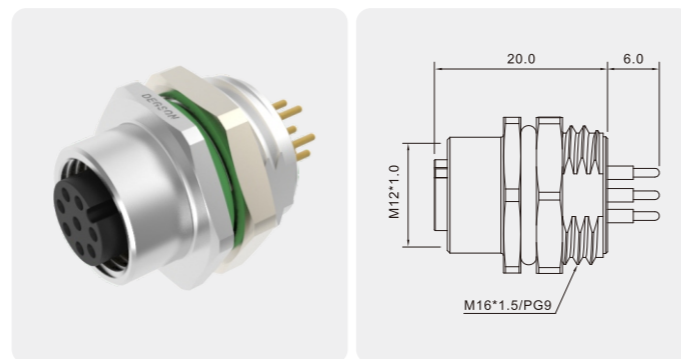
针数 Number of Pins		10 Pin	12 Pin	05 Pin	04 Pin
编码 Coding	编码 Coded	A-Coded	A-Coded	B-Coded	D-Coded
	正面图 Front View				
额定电流 Rated current	A.	1.5A	1.5A	4A	4A
额定电压 Rated voltage	V.	30V	30V	60V	250V
描述 Description	订单号 Order NO.	订单号 Order NO.	订单号 Order NO.	订单号 Order NO.	订单号 Order NO.
PG9	SP-M12A-10P-FF-SF8001-00AH	SP-M12A-12P-FF-SF8001-00AH	SP-M12B-05P-FF-SF8001-00AH	SP-M12D-04P-FF-SF8001-00AH	
定制化 Customized
M16*1.5	SP-M12A-10P-FF-SF8002-00AH	SP-M12A-12P-FF-SF8002-00AH	SP-M12B-05P-FF-SF8002-00AH	SP-M12D-04P-FF-SF8002-00AH	
定制化 Customized

尺寸图 Dimension Figure



M12 x 1 孔式面板安装插座，板前安装，非屏蔽，PCB焊接。

M12 x 1 Female Panel Mount Receptacle, Front Mounting, Unshielded, PCB Soldering.

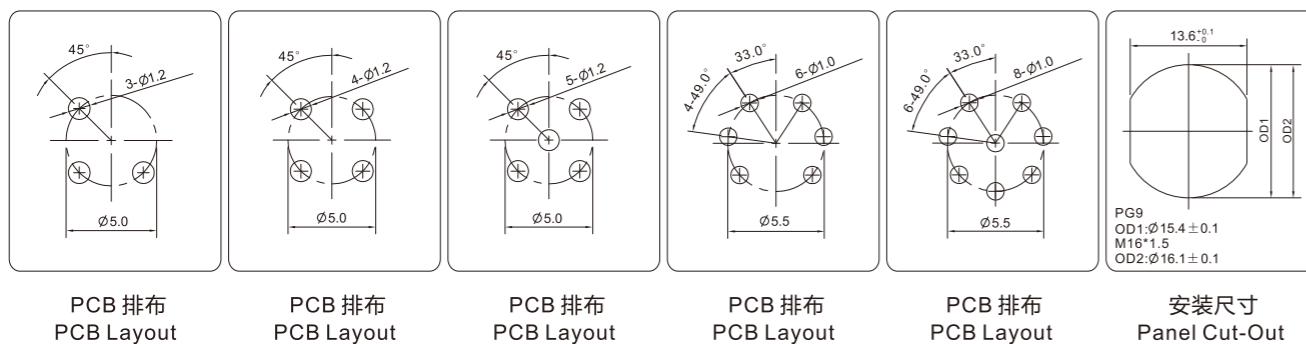


技术数据 Technical Data

标准 Standard	IEC 61076	端子载体材料 Contact carriers material	PA
系列 Series	M12, Female	端子材料 Contact material	Copper Alloy, Gold-plated
Pin针数量 Number of Pins	03,04,05,06,08,10,12 Pin	金属螺母 Metal of nut	Zinc Alloy with Nickel Plated
额定电流 Rated Current	4A max.	胶圈 Seal	Silicone
额定电压 Rated voltage	250V max.	机械寿命 Mechanical life	> 100 mating cycles
绝缘电阻 Insulation resistance	≥100MΩ		
接触电阻 Contact resistance	≤5mΩ		
运行温度 Ambient temperature	-40 ~ +105℃		
防护等级 IP Class	IP68		

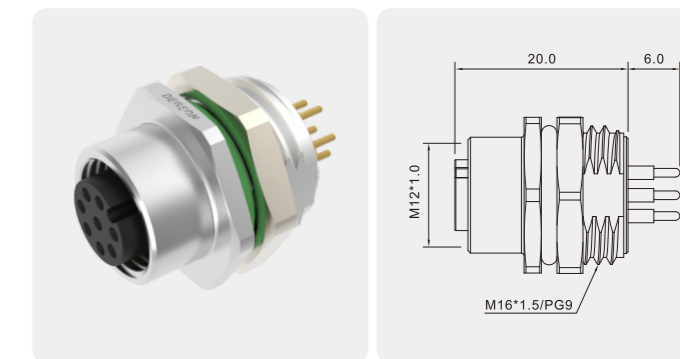
针数 Number of Pins		03 Pin	04 Pin	05 Pin	06 Pin	08 Pin
编码 Coding	编码 Coded	A-Coded	A-Coded	A-Coded	A-Coded	A-Coded
	正面图 Front View					
额定电流 Rated current	A.	4A	4A	4A	2A	2A
额定电压 Rated voltage	V.	250V	250V	60V	30V	30V
描述 Description	订单号 Order NO.	订单号 Order NO.	订单号 Order NO.	订单号 Order NO.	订单号 Order NO.	订单号 Order NO.
PG9	SP-M12A-03P-FF-SH8001-00AH	SP-M12A-04P-FF-SH8001-00AH	SP-M12A-05P-FF-SH8001-00AH	SP-M12A-06P-FF-SH8001-00AH	SP-M12A-08P-FF-SH8001-00AH	
定制化 Customized
M16*1.5	SP-M12A-03P-FF-SH8002-00AH	SP-M12A-04P-FF-SH8002-00AH	SP-M12A-05P-FF-SH8002-00AH	SP-M12A-06P-FF-SH8002-00AH	SP-M12A-08P-FF-SH8002-00AH	
定制化 Customized

尺寸图 Dimension Figure



M12 x 1 孔式面板安装插座，板前安装，非屏蔽，PCB焊接。

M12 x 1 Female Panel Mount Receptacle, Front Mounting, Unshielded, PCB Soldering.

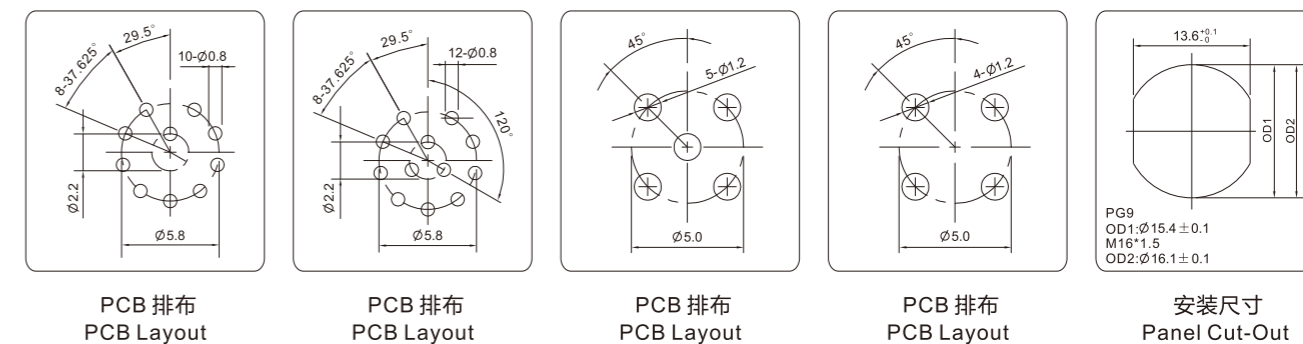


技术数据 Technical Data

标准 Standard	IEC 61076	端子载体材料 Contact carriers material	PA
系列 Series	M12, Female	端子材料 Contact material	Copper Alloy, Gold-plated
Pin针数量 Number of Pins	03,04,05,06,08,10,12 Pin	金属螺母 Metal of nut	Zinc Alloy with Nickel Plated
额定电流 Rated Current	4A max.	胶圈 Seal	Silicone
额定电压 Rated voltage	250V max.	机械寿命 Mechanical life	> 100 mating cycles
绝缘电阻 Insulation resistance	≥100MΩ		
接触电阻 Contact resistance	≤5mΩ		
运行温度 Ambient temperature	-40 ~ +105℃		
防护等级 IP Class	IP68		

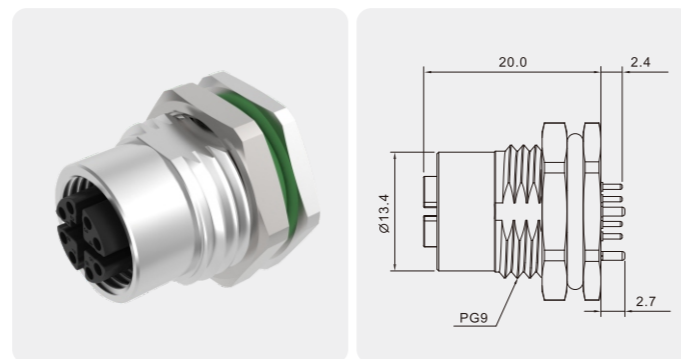
针数 Number of Pins		10 Pin	12 Pin	05 Pin	04 Pin
编码 Coding	编码 Coded	A-Coded	A-Coded	B-Coded	D-Coded
	正面图 Front View				
额定电流 Rated current	A.	1.5A	1.5A	4A	4A
额定电压 Rated voltage	V.	30V	30V	60V	250V
描述 Description	订单号 Order NO.	订单号 Order NO.	订单号 Order NO.	订单号 Order NO.	订单号 Order NO.
PG9	SP-M12A-10P-FF-SH8001-00AH	SP-M12A-12P-FF-SH8001-00AH	SP-M12B-05P-FF-SH8001-00AH	SP-M12D-04P-FF-SH8001-00AH	
定制化 Customized
M16*1.5	SP-M12A-10P-FF-SH8002-00AH	SP-M12A-12P-FF-SH8002-00AH	SP-M12B-05P-FF-SH8002-00AH	SP-M12D-04P-FF-SH8002-00AH	
定制化 Customized

尺寸图 Dimension Figure



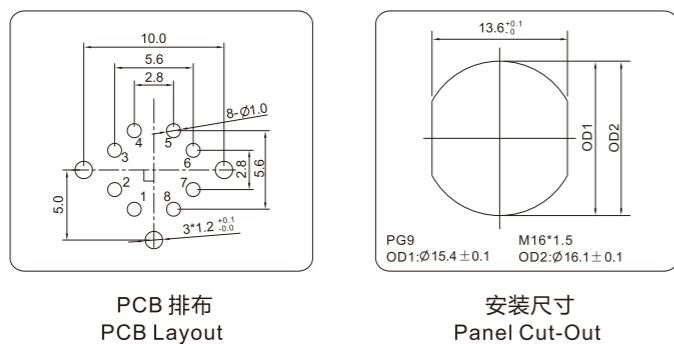
M12 x 1 孔式面板安装插座，板后安装，屏蔽，PCB焊接。

M12 x 1 Female Panel Mount Receptacle, Rear Mounting, Shielded, PCB Soldering.


技术数据 Technical Data

标准 Standard	IEC 61076	端子载体材料 Contact carriers material	PA
系列 Series	M12, Male	端子材料 Contact material	Copper Alloy, Gold-plated
Pin针数量 Number of Pins	08 Pin	金属螺母 Metal of nut	Zinc Alloy with Nickel Plated
额定电流 Rated Current	0.5A max.	胶圈 Seal	Silicone
额定电压 Rated voltage	50V AC / 60V DC	机械寿命 Mechanical life	> 100 mating cycles
绝缘电阻 Insulation resistance	≥100MΩ		
接触电阻 Contact resistance	≤5mΩ		
运行温度 Ambient temperature	-20 ~ +105℃		
防护等级 IP Class	IP67		

针数 Number of Pins		08 Pin
编码 Coding	编码 Coded	X-Coded
	正面图 Front View	
额定电流 Rated current	A.	0.5A
额定电压 Rated voltage	V.	50V AC / 60V DC
描述 Description		订单号 Order NO.
	PG9	SPSH-M12X-08P-FF-SF7001-00AH
定制化 Customized	
	M16*1.5	SPSH-M12X-08P-FF-SF7002-00AH
定制化 Customized	

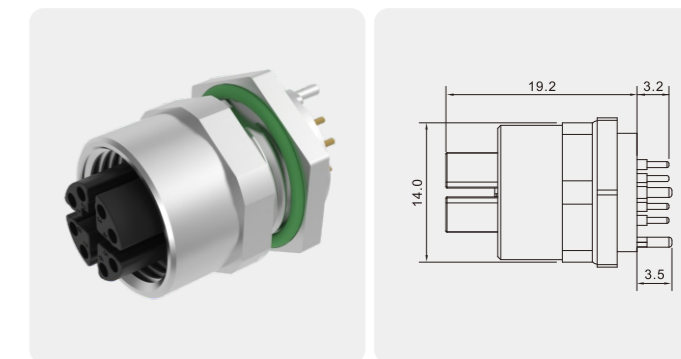
尺寸图 Dimension Figure


PCB 排布
PCB Layout

安装尺寸
Panel Cut-Out

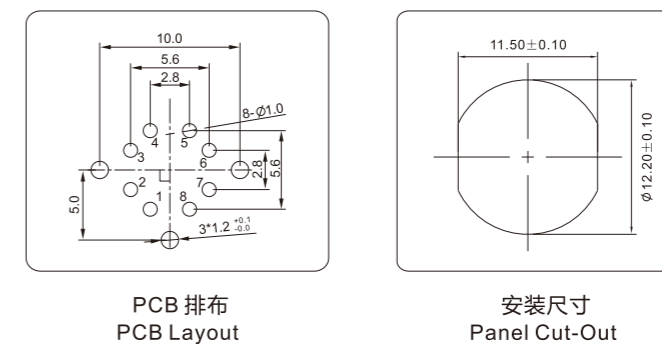
M12 x 1 孔式面板安装插座，板后安装，屏蔽，PCB焊接。

M12 x 1 Female Panel Mount Receptacle, Rear Mounting, Shielded, PCB Soldering.


技术数据 Technical Data

标准 Standard	IEC 61076	端子载体材料 Contact carriers material	PA
系列 Series	M12, Female	端子材料 Contact material	Copper Alloy, Gold-plated
Pin针数量 Number of Pins	08 Pin	金属螺母 Metal of nut	Zinc Alloy with Nickel Plated
额定电流 Rated Current	0.5A max.	胶圈 Seal	Silicone
额定电压 Rated voltage	50V AC / 60V DC	机械寿命 Mechanical life	> 100 mating cycles
绝缘电阻 Insulation resistance	≥100MΩ		
接触电阻 Contact resistance	≤5mΩ		
运行温度 Ambient temperature	-20 ~ +105℃		
防护等级 IP Class	IP67		

针数 Number of Pins		08 Pin
编码 Coding	编码 Coded	X-Coded
	正面图 Front View	
额定电流 Rated current	A.	0.5A
额定电压 Rated voltage	V.	50V AC / 60V DC
描述 Description		订单号 Order NO.
	M12*1.0	SPSH-M12X-08P-FF-SF7003-00AH
定制化 Customized	

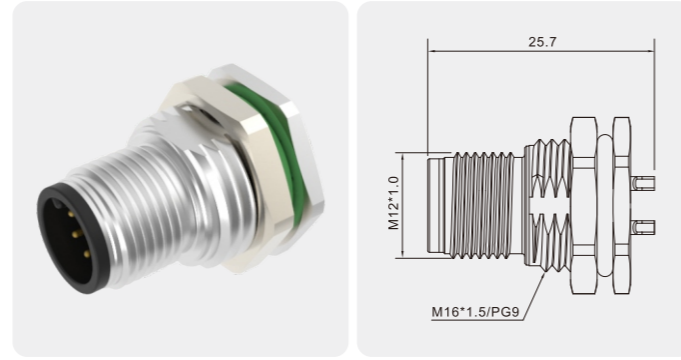
尺寸图 Dimension Figure


PCB 排布
PCB Layout

安装尺寸
Panel Cut-Out

M12 x 1 针式面板安装插座，板后安装，非屏蔽，焊杯不带线。

M12 x 1 Male Panel Mount Receptacle, Rear Mounting, Unshielded, Soldering without wire.

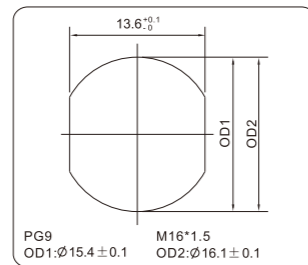


技术数据 Technical Data

标准 Standard	IEC 61076	端子载体材料 Contact carriers material	PA
系列 Series	M12, Male	端子材料 Contact material	Copper Alloy, Gold-plated
Pin针数量 Number of Pins	03,04,05,06,08,10,12 Pin	金属螺母 Metal of nut	Zinc Alloy with Nickel Plated
额定电流 Rated Current	4A max.	胶圈 Seal	Silicone
额定电压 Rated voltage	250V max.	机械寿命 Mechanical life	> 100 mating cycles
绝缘电阻 Insulation resistance	≥100MΩ		
接触电阻 Contact resistance	≤5mΩ		
运行温度 Ambient temperature	-40 ~ +105℃		
防护等级 IP Class	IP68		

针数 Number of Pins		03 Pin	04 Pin	05 Pin	06 Pin	08 Pin
编码 Coding	编码 Coded	A-Coded	A-Coded	A-Coded	A-Coded	A-Coded
	正面图 Front View					
额定电流 Rated current	A.	4A	4A	4A	2A	2A
额定电压 Rated voltage	V.	250V	250V	60V	30V	30V
描述 Description	订单号 Order NO.	订单号 Order NO.	订单号 Order NO.	订单号 Order NO.	订单号 Order NO.	订单号 Order NO.
	PG9	SD-M12A-03P-MM-SF8001-00AH	SD-M12A-04P-MM-SF8001-00AH	SD-M12A-05P-MM-SF8001-00AH	SD-M12A-06P-MM-SF8001-00AH	SD-M12A-08P-MM-SF8001-00AH
	定制化 Customized
	M16*1.5	SD-M12A-03P-MM-SF8002-00AH	SD-M12A-04P-MM-SF8002-00AH	SD-M12A-05P-MM-SF8002-00AH	SD-M12A-06P-MM-SF8002-00AH	SD-M12A-08P-MM-SF8002-00AH
	定制化 Customized

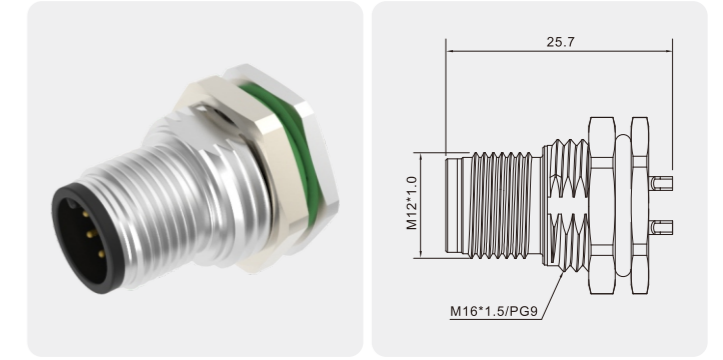
尺寸图 Dimension Figure



安装尺寸
Panel Cut-Out

M12 x 1 针式面板安装插座，板后安装，非屏蔽，焊杯不带线。

M12 x 1 Male Panel Mount Receptacle, Rear Mounting, Unshielded, Soldering without wire.

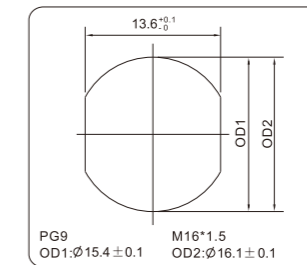


技术数据 Technical Data

标准 Standard	IEC 61076	端子载体材料 Contact carriers material	PA
系列 Series	M12, Male	端子材料 Contact material	Copper Alloy, Gold-plated
Pin针数量 Number of Pins	03,04,05,06,08,10,12 Pin	金属螺母 Metal of nut	Zinc Alloy with Nickel Plated
额定电流 Rated Current	4A max.	胶圈 Seal	Silicone
额定电压 Rated voltage	250V max.	机械寿命 Mechanical life	> 100 mating cycles
绝缘电阻 Insulation resistance	≥100MΩ		
接触电阻 Contact resistance	≤5mΩ		
运行温度 Ambient temperature	-40 ~ +105℃		
防护等级 IP Class	IP68		

针数 Number of Pins		10 Pin	12 Pin	05 Pin	04 Pin
编码 Coding	编码 Coded	A-Coded	A-Coded	B-Coded	D-Coded
	正面图 Front View				
额定电流 Rated current	A.	1.5A	1.5A	4A	4A
额定电压 Rated voltage	V.	30V	30V	60V	250V
描述 Description	订单号 Order NO.	订单号 Order NO.	订单号 Order NO.	订单号 Order NO.	订单号 Order NO.
	PG9	SD-M12A-10P-MM-SF8001-00AH	SD-M12A-12P-MM-SF8001-00AH	SD-M12B-05P-MM-SF8001-00AH	SD-M12D-04P-MM-SF8001-00AH
	定制化 Customized
	M16*1.5	SD-M12A-10P-MM-SF8002-00AH	SD-M12A-12P-MM-SF8002-00AH	SD-M12B-05P-MM-SF8002-00AH	SD-M12D-04P-MM-SF8002-00AH
	定制化 Customized

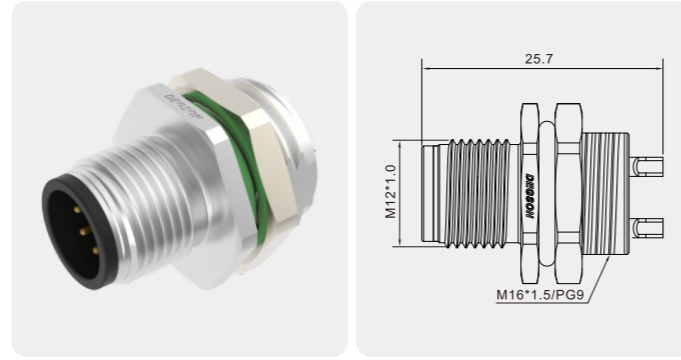
尺寸图 Dimension Figure



安装尺寸
Panel Cut-Out

M12 x 1 针式面板安装插座，板前安装，非屏蔽，焊杯不带线。

M12 x 1 Male Panel Mount Receptacle, Front Mounting, Unshielded, Soldering without wire.

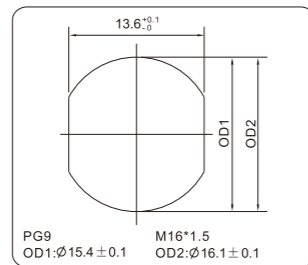


技术数据 Technical Data

标准 Standard	IEC 61076	端子载体材料 Contact carriers material	PA
系列 Series	M12, Male	端子材料 Contact material	Copper Alloy, Gold-plated
Pin针数量 Number of Pins	03,04,05,06,08,10,12 Pin	金属螺母 Metal of nut	Zinc Alloy with Nickel Plated
额定电流 Rated Current	4A max.	胶圈 Seal	Silicone
额定电压 Rated voltage	250V max.	机械寿命 Mechanical life	> 100 mating cycles
绝缘电阻 Insulation resistance	≥100MΩ		
接触电阻 Contact resistance	≤5mΩ		
运行温度 Ambient temperature	-40 ~ +105℃		
防护等级 IP Class	IP68		

针数 Number of Pins		03 Pin	04 Pin	05 Pin	06 Pin	08 Pin
编码 Coding	编码 Coded	A-Coded	A-Coded	A-Coded	A-Coded	A-Coded
	正面图 Front View					
额定电流 Rated current	A.	4A	4A	4A	2A	2A
额定电压 Rated voltage	V.	250V	250V	60V	30V	30V
描述 Description	订单号 Order NO.	订单号 Order NO.	订单号 Order NO.	订单号 Order NO.	订单号 Order NO.	订单号 Order NO.
	PG9	SD-M12A-03P-MM-SH8001-00AH	SD-M12A-04P-MM-SH8001-00AH	SD-M12A-05P-MM-SH8001-00AH	SD-M12A-06P-MM-SH8001-00AH	SD-M12A-08P-MM-SH8001-00AH
	定制化 Customized
	M16*1.5	SD-M12A-03P-MM-SH8002-00AH	SD-M12A-04P-MM-SH8002-00AH	SD-M12A-05P-MM-SH8002-00AH	SD-M12A-06P-MM-SH8002-00AH	SD-M12A-08P-MM-SH8002-00AH
	定制化 Customized

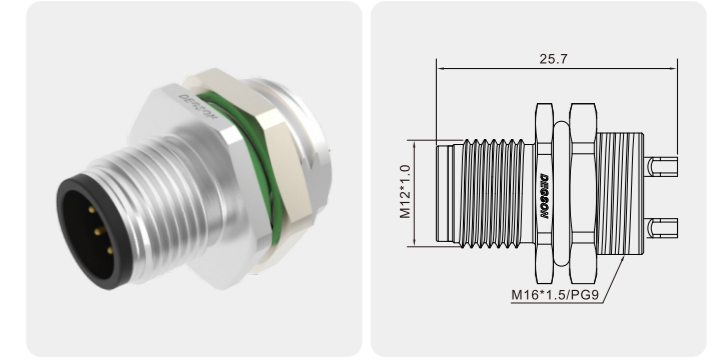
尺寸图 Dimension Figure



安装尺寸 Panel Cut-Out

M12 x 1 针式面板安装插座，板前安装，非屏蔽，焊杯不带线。

M12 x 1 Male Panel Mount Receptacle, Front Mounting, Unshielded, Soldering without wire.

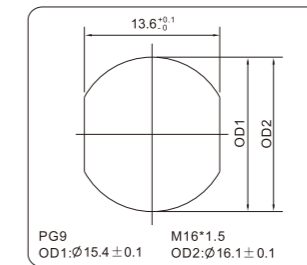


技术数据 Technical Data

标准 Standard	IEC 61076	端子载体材料 Contact carriers material	PA
系列 Series	M12, Male	端子材料 Contact material	Copper Alloy, Gold-plated
Pin针数量 Number of Pins	03,04,05,06,08,10,12 Pin	金属螺母 Metal of nut	Zinc Alloy with Nickel Plated
额定电流 Rated Current	4A max.	胶圈 Seal	Silicone
额定电压 Rated voltage	250V max.	机械寿命 Mechanical life	> 100 mating cycles
绝缘电阻 Insulation resistance	≥100MΩ		
接触电阻 Contact resistance	≤5mΩ		
运行温度 Ambient temperature	-40 ~ +105℃		
防护等级 IP Class	IP68		

Number of Pins		10 Pin	12 Pin	05 Pin	04 Pin
编码 Coding	编码 Coded	A-Coded	A-Coded	B-Coded	D-Coded
	正面图 Front View				
额定电流 Rated current	A.	1.5A	1.5A	4A	4A
额定电压 Rated voltage	V.	30V	30V	60V	250V
描述 Description	订单号 Order NO.	订单号 Order NO.	订单号 Order NO.	订单号 Order NO.	订单号 Order NO.
	PG9	SD-M12A-10P-MM-SH8001-00AH	SD-M12A-12P-MM-SH8001-00AH	SD-M12B-05P-MM-SH8001-00AH	SD-M12D-04P-MM-SH8001-00AH
	定制化 Customized
	M16*1.5	SD-M12A-10P-MM-SH8002-00AH	SD-M12A-12P-MM-SH8002-00AH	SD-M12B-05P-MM-SH8002-00AH	SD-M12D-04P-MM-SH8002-00AH
	定制化 Customized

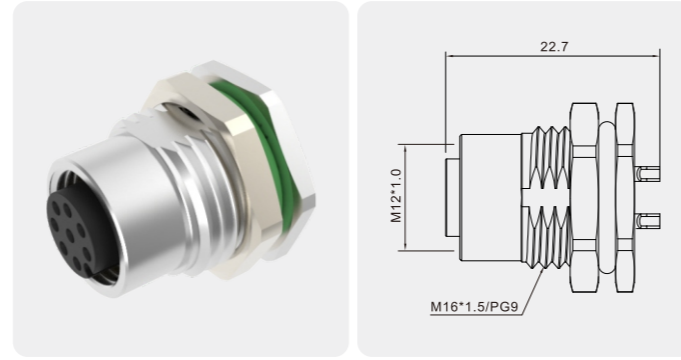
尺寸图 Dimension Figure



安装尺寸 Panel Cut-Out

M12 x 1 孔式面板安装插座，板后安装，非屏蔽，焊杯不带线。

M12 x 1 Female Panel Mount Receptacle, Rear Mounting, Unshielded, Soldering without wire.

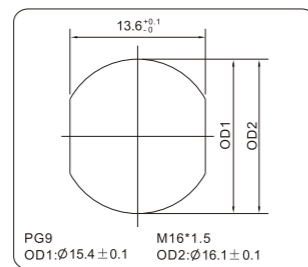


技术数据 Technical Data

标准 Standard	IEC 61076	端子载体材料 Contact carriers material	PA
系列 Series	M12, Female	端子材料 Contact material	Copper Alloy, Gold-plated
Pin针数量 Number of Pins	03,04,05,06,08,10,12 Pin	金属螺母 Metal of nut	Zinc Alloy with Nickel Plated
额定电流 Rated Current	4A max.	胶圈 Seal	Silicone
额定电压 Rated voltage	250V max.	机械寿命 Mechanical life	> 100 mating cycles
绝缘电阻 Insulation resistance	≥100MΩ		
接触电阻 Contact resistance	≤5mΩ		
运行温度 Ambient temperature	-40 ~ +105℃		
防护等级 IP Class	IP68		

针数 Number of Pins		03 Pin	04 Pin	05 Pin	06 Pin	08 Pin
编码 Coding	编码 Coded	A-Coded	A-Coded	A-Coded	A-Coded	A-Coded
	正面图 Front View					
额定电流 Rated current	A.	4A	4A	4A	2A	2A
额定电压 Rated voltage	V.	250V	250V	60V	30V	30V
描述 Description	订单号 Order NO.	订单号 Order NO.	订单号 Order NO.	订单号 Order NO.	订单号 Order NO.	订单号 Order NO.
PG9	SD-M12A-03P-FF-SF8001-00AH	SD-M12A-04P-FF-SF8001-00AH	SD-M12A-05P-FF-SF8001-00AH	SD-M12A-06P-FF-SF8001-00AH	SD-M12A-08P-FF-SF8001-00AH	
定制化 Customized
M16*1.5	SD-M12A-03P-FF-SF8002-00AH	SD-M12A-04P-FF-SF8002-00AH	SD-M12A-05P-FF-SF8002-00AH	SD-M12A-06P-FF-SF8002-00AH	SD-M12A-08P-FF-SF8002-00AH	
定制化 Customized

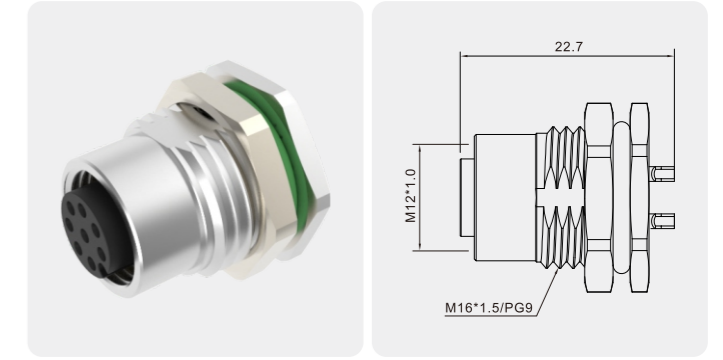
尺寸图 Dimension Figure



安装尺寸 Panel Cut-Out

M12 x 1 孔式面板安装插座，板后安装，非屏蔽，焊杯不带线。

M12 x 1 Female Panel Mount Receptacle, Rear Mounting, Unshielded, Soldering without wire.

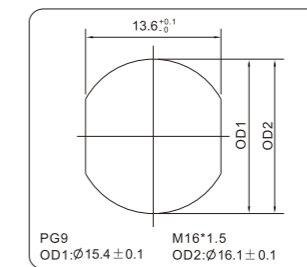


技术数据 Technical Data

标准 Standard	IEC 61076	端子载体材料 Contact carriers material	PA
系列 Series	M12, Female	端子材料 Contact material	Copper Alloy, Gold-plated
Pin针数量 Number of Pins	03,04,05,06,08,10,12 Pin	金属螺母 Metal of nut	Zinc Alloy with Nickel Plated
额定电流 Rated Current	4A max.	胶圈 Seal	Silicone
额定电压 Rated voltage	250V max.	机械寿命 Mechanical life	> 100 mating cycles
绝缘电阻 Insulation resistance	≥100MΩ		
接触电阻 Contact resistance	≤5mΩ		
运行温度 Ambient temperature	-40 ~ +105℃		
防护等级 IP Class	IP68		

针数 Number of Pins		10 Pin	12 Pin	05 Pin	04 Pin
编码 Coding	编码 Coded	A-Coded	A-Coded	B-Coded	D-Coded
	正面图 Front View				
额定电流 Rated current	A.	1.5A	1.5A	4A	4A
额定电压 Rated voltage	V.	30V	30V	60V	250V
描述 Description	订单号 Order NO.	订单号 Order NO.	订单号 Order NO.	订单号 Order NO.	订单号 Order NO.
PG9	SD-M12A-10P-FF-SF8001-00AH	SD-M12A-12P-FF-SF8001-00AH	SD-M12B-05P-FF-SF8001-00AH	SD-M12D-04P-FF-SF8001-00AH	
定制化 Customized
M16*1.5	SD-M12A-10P-FF-SF8002-00AH	SD-M12A-12P-FF-SF8002-00AH	SD-M12B-05P-FF-SF8002-00AH	SD-M12D-04P-FF-SF8002-00AH	
定制化 Customized

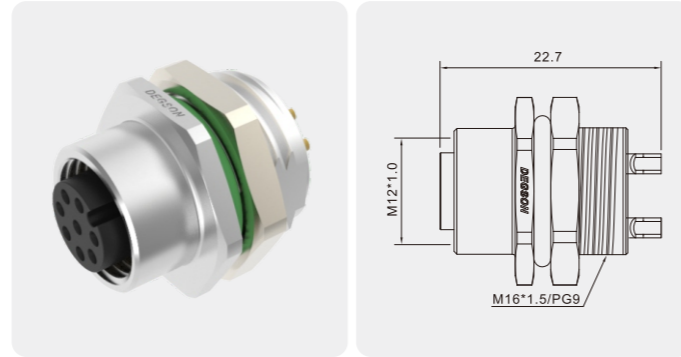
尺寸图 Dimension Figure



安装尺寸 Panel Cut-Out

M12 x 1 孔式面板安装插座，板前安装，非屏蔽，焊杯不带线。

M12 x 1 Female Panel Mount Receptacle, Front Mounting, Unshielded, Soldering without wire.

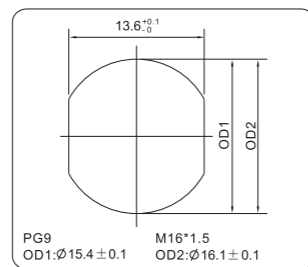


技术数据 Technical Data

标准 Standard	IEC 61076	端子载体材料 Contact carriers material	PA
系列 Series	M12, Female	端子材料 Contact material	Copper Alloy, Gold-plated
Pin针数量 Number of Pins	03,04,05,06,08,10,12 Pin	金属螺母 Metal of nut	Zinc Alloy with Nickel Plated
额定电流 Rated Current	4A max.	胶圈 Seal	Silicone
额定电压 Rated voltage	250V max.	机械寿命 Mechanical life	> 100 mating cycles
绝缘电阻 Insulation resistance	≥100MΩ		
接触电阻 Contact resistance	≤5mΩ		
运行温度 Ambient temperature	-40 ~ +105℃		
防护等级 IP Class	IP68		

针数 Number of Pins		03 Pin	04 Pin	05 Pin	06 Pin	08 Pin
编码 Coding	编码 Coded	A-Coded	A-Coded	A-Coded	A-Coded	A-Coded
	正面图 Front View					
额定电流 Rated current	A.	4A	4A	4A	2A	2A
额定电压 Rated voltage	V.	250V	250V	60V	30V	30V
描述 Description	订单号 Order NO.	订单号 Order NO.	订单号 Order NO.	订单号 Order NO.	订单号 Order NO.	订单号 Order NO.
PG9	SD-M12A-03P-FF-SH8001-00AH	SD-M12A-04P-FF-SH8001-00AH	SD-M12A-05P-FF-SH8001-00AH	SD-M12A-06P-FF-SH8001-00AH	SD-M12A-08P-FF-SH8001-00AH	SD-M12A-08P-FF-SH8001-00AH
定制化 Customized
M16*1.5	SD-M12A-03P-FF-SH8002-00AH	SD-M12A-04P-FF-SH8002-00AH	SD-M12A-05P-FF-SH8002-00AH	SD-M12A-06P-FF-SH8002-00AH	SD-M12A-08P-FF-SH8002-00AH	SD-M12A-08P-FF-SH8002-00AH
定制化 Customized

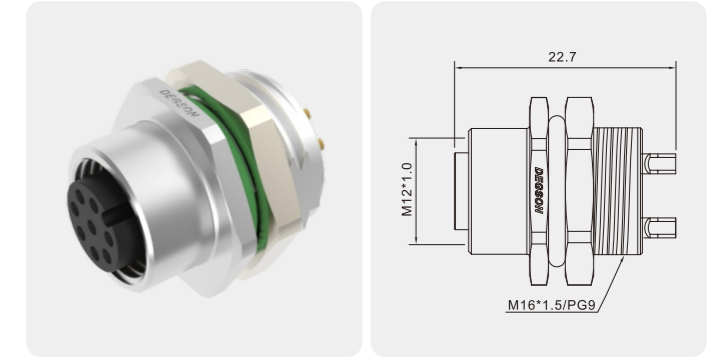
尺寸图 Dimension Figure



安装尺寸 Panel Cut-Out

M12 x 1 孔式面板安装插座，板前安装，非屏蔽，焊杯不带线。

M12 x 1 Female Panel Mount Receptacle, Front Mounting, Unshielded, Soldering without wire.

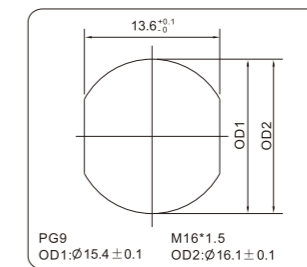


技术数据 Technical Data

标准 Standard	IEC 61076	端子载体材料 Contact carriers material	PA
系列 Series	M12, Female	端子材料 Contact material	Copper Alloy, Gold-plated
Pin针数量 Number of Pins	03,04,05,06,08,10,12 Pin	金属螺母 Metal of nut	Zinc Alloy with Nickel Plated
额定电流 Rated Current	4A max.	胶圈 Seal	Silicone
额定电压 Rated voltage	250V max.	机械寿命 Mechanical life	> 100 mating cycles
绝缘电阻 Insulation resistance	≥100MΩ		
接触电阻 Contact resistance	≤5mΩ		
运行温度 Ambient temperature	-40 ~ +105℃		
防护等级 IP Class	IP68		

针数 Number of Pins		10 Pin	12 Pin	05 Pin	04 Pin
编码 Coding	编码 Coded	A-Coded	A-Coded	B-Coded	D-Coded
	正面图 Front View				
额定电流 Rated current	A.	1.5A	1.5A	4A	4A
额定电压 Rated voltage	V.	30V	30V	60V	250V
描述 Description	订单号 Order NO.	订单号 Order NO.	订单号 Order NO.	订单号 Order NO.	订单号 Order NO.
PG9	SD-M12A-10P-FF-SH8001-00AH	SD-M12A-12P-FF-SH8001-00AH	SD-M12B-05P-FF-SH8001-00AH	SD-M12D-04P-FF-SH8001-00AH	SD-M12D-04P-FF-SH8001-00AH
定制化 Customized
M16*1.5	SD-M12A-10P-FF-SH8002-00AH	SD-M12A-12P-FF-SH8002-00AH	SD-M12B-05P-FF-SH8002-00AH	SD-M12D-04P-FF-SH8002-00AH	SD-M12D-04P-FF-SH8002-00AH
定制化 Customized

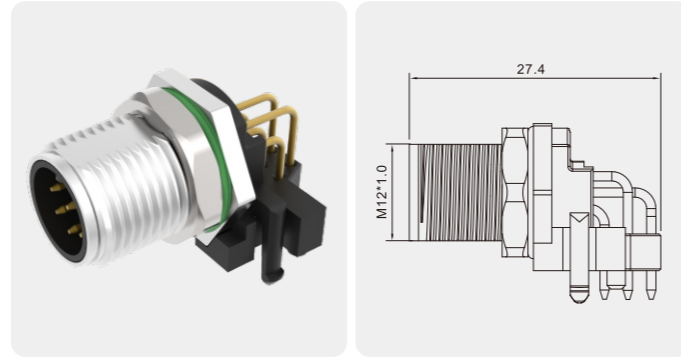
尺寸图 Dimension Figure



安装尺寸 Panel Cut-Out

M12 x 1 针式面板安装插座，板后安装，非屏蔽，PCB焊接。

M12 x 1 Male Panel Mount Receptacle, Rear Mounting, Unshielded, PCB Soldering.

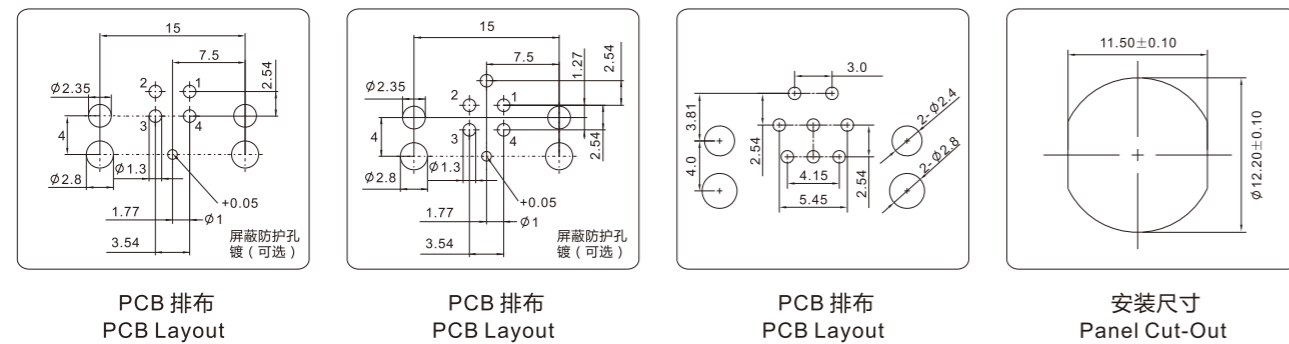


技术数据 Technical Data

标准 Standard	IEC 61076	端子载体材料 Contact carriers material	PA
系列 Series	M12, Male	端子材料 Contact material	Copper Alloy, Gold-plated
Pin针数量 Number of Pins	03,04,05,06,08 Pin	金属螺母 Metal of nut	Zinc Alloy with Nickel Plated
额定电流 Rated Current	4A max.	胶圈 Seal	Silicone
额定电压 Rated voltage	250V max.	机械寿命 Mechanical life	> 100 mating cycles
绝缘电阻 Insulation resistance	≥100MΩ		
接触电阻 Contact resistance	≤5mΩ		
运行温度 Ambient temperature	-25 ~ +80℃		
防护等级 IP Class	IP67		

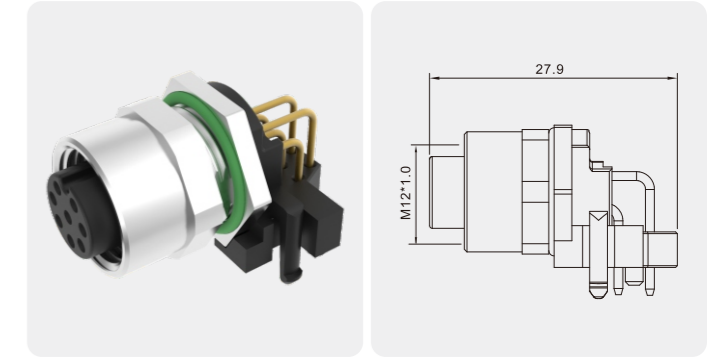
针数 Number of Pins	04 Pin		05 Pin		08 Pin	
	编码 Coded	A-Coded	D-Coded	A-Coded	B-Coded	
编码 Coding	正面图 Front View					
额定电流 Rated current	A.	4A	4A	4A	4A	2A
额定电压 Rated voltage	V.	250V	250V	60V	60V	30V
描述 Description	订单号 Order NO.	SR-M12A-04P-MM-SF7003-00AH	SR-M12D-04P-MM-SF7003-00AH	SR-M12A-05P-MM-SF7003-00AH	SR-M12B-05P-MM-SF7003-00AH	SR-M12A-08P-MM-SF7003-00AH
定制化 Customized

尺寸图 Dimension Figure



M12 x 1 孔式面板安装插座，板后安装，非屏蔽，PCB焊接。

M12 x 1 Female Panel Mount Receptacle, Rear Mounting, Unshielded, PCB Soldering.

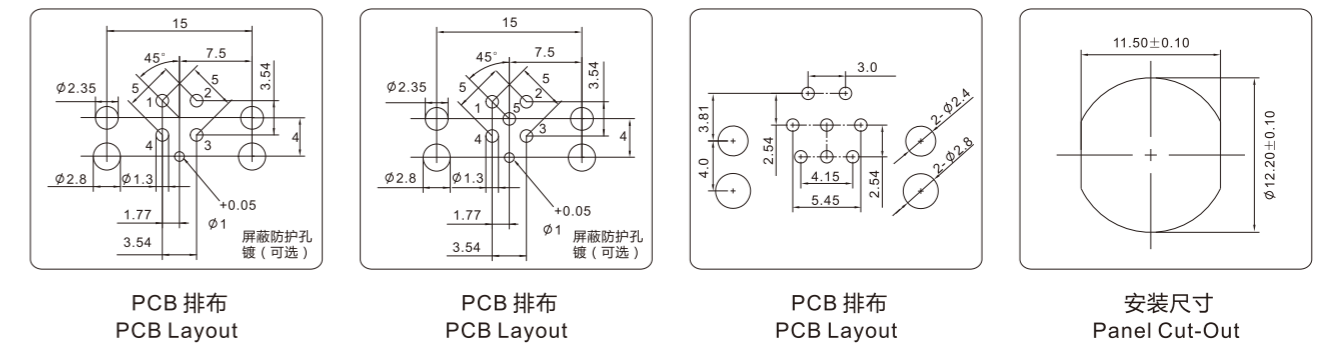


技术数据 Technical Data

标准 Standard	IEC 61076	端子载体材料 Contact carriers material	PA
系列 Series	M12, Female	端子材料 Contact material	Copper Alloy, Gold-plated
Pin针数量 Number of Pins	03,04,05,06,08 Pin	金属螺母 Metal of nut	Zinc Alloy with Nickel Plated
额定电流 Rated Current	4A max.	胶圈 Seal	Silicone
额定电压 Rated voltage	250V max.	机械寿命 Mechanical life	> 100 mating cycles
绝缘电阻 Insulation resistance	≥100MΩ		
接触电阻 Contact resistance	≤5mΩ		
运行温度 Ambient temperature	-25 ~ +80℃		
防护等级 IP Class	IP67		

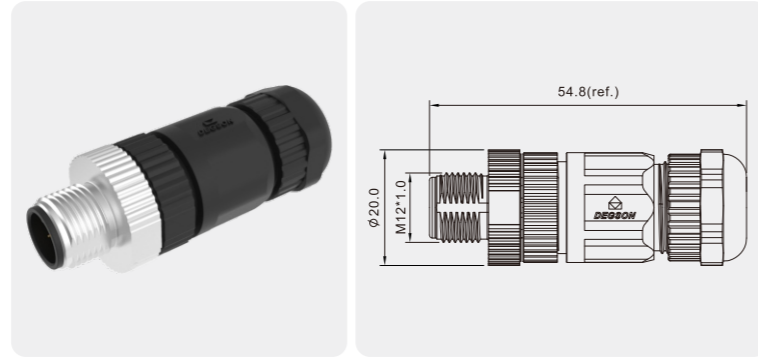
针数 Number of Pins	04 Pin		05 Pin		08 Pin	
	编码 Coded	A-Coded	D-Coded	A-Coded	B-Coded	
编码 Coding	正面图 Front View					
额定电流 Rated current	A.	4A	4A	4A	4A	2A
额定电压 Rated voltage	V.	250V	250V	60V	60V	30V
描述 Description	订单号 Order NO.	SR-M12A-04P-FF-SF7003-00AH	SR-M12D-04P-FF-SF7003-00AH	SR-M12A-05P-FF-SF7003-00AH	SR-M12B-05P-FF-SF7003-00AH	SR-M12A-08P-FF-SF7003-00AH
定制化 Customized

尺寸图 Dimension Figure



M12 x 1 针式现场组装插头。非屏蔽，螺钉连接，直头。

M12 x 1 Male Field Assembly Plug, Unshielded, Screw Connection, Straight.

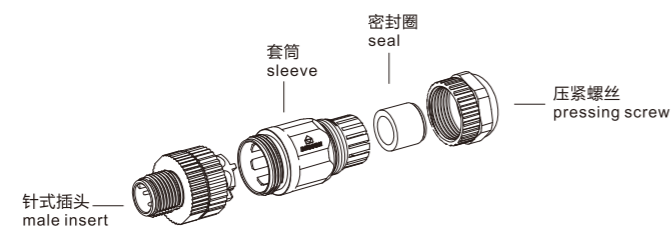


技术数据 Technical Data

标准 Standard	IEC 61076	端子载体材料 Contact carriers material	PA
系列 Series	M12, Male	端子材料 Contact material	Copper Alloy, Gold-plated
Pin针数量 Number of Pins	03,04,05,06,08 Pin	金属螺母 Metal of nut	Zinc Alloy with Nickel Plated
额定电流 Rated Current	4A max.	胶圈 Seal	Silicone
额定电压 Rated voltage	250V max.	屏蔽 Shielding	Unshielded
绝缘电阻 Insulation resistance	≥100MΩ	机械寿命 Mechanical life	> 100 mating cycles
接触电阻 Contact resistance	≤5mΩ	—	—
运行温度 Ambient temperature	-25 ~ +105℃	—	—
防护等级 IP Class	IP67	—	—

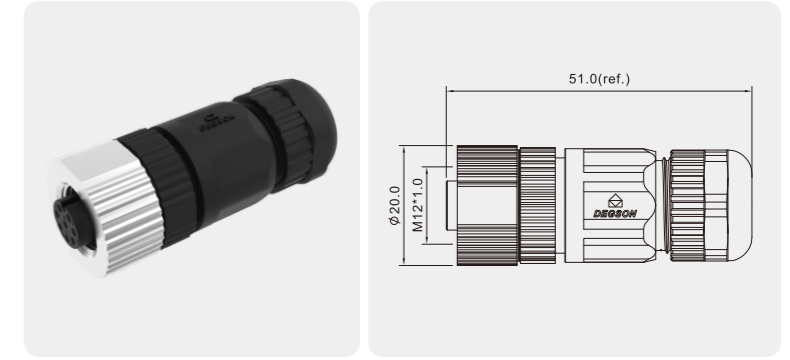
针数 Number of Pins		03 Pin	04 Pin		05 Pin		06 Pin	08 Pin
编码 Coding	编码 Coded	A-Coded	A-Coded	D-Coded	A-Coded	B-Coded	A-Coded	A-Coded
	正面图 Front View							
额定电流 Rated current	A.	4A	4A	4A	4A	4A	2A	2A
额定电压 Rated voltage	V.	250V	250V	250V	60V	60V	30V	30V
电线电缆 Wire/Cable	线规 Wire gauge	22AWG	22AWG	22AWG	22AWG	22AWG	24AWG	24AWG
	横截面 Cross section	0.34mm ²	0.34mm ²	0.34mm ²	0.34mm ²	0.34mm ²	0.25mm ²	0.25mm ²
描述 Description	订单号 Order NO.	订单号 Order NO.	订单号 Order NO.	订单号 Order NO.	订单号 Order NO.	订单号 Order NO.	订单号 Order NO.	订单号 Order NO.
—	PB-M12A-03P-MM-SL7001-00AH	PB-M12A-04P-MM-SL7001-00AH	PB-M12D-04P-MM-SL7001-00AH	PB-M12A-05P-MM-SL7001-00AH	PB-M12B-05P-MM-SL7001-00AH	PB-M12A-06P-MM-SL7001-00AH	PB-M12A-08P-MM-SL7001-00AH	

零件图 Component part drawing



M12 x 1 孔式现场组装插头。非屏蔽，螺钉连接，直头。

M12 x 1 Female Field Assembly Plug, Unshielded, Screw Connection, Straight.

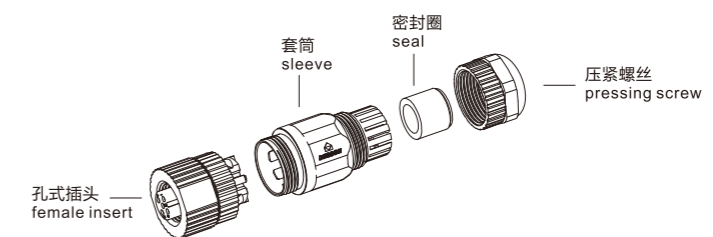


技术数据 Technical Data

标准 Standard	IEC 61076	端子载体材料 Contact carriers material	PA
系列 Series	M12, Female	端子材料 Contact material	Copper Alloy, Gold-plated
Pin针数量 Number of Pins	03,04,05,06,08 Pin	金属螺母 Metal of nut	Zinc Alloy with Nickel Plated
额定电流 Rated Current	4A max.	胶圈 Seal	Silicone
额定电压 Rated voltage	250V max.	屏蔽 Shielding	Unshielded
绝缘电阻 Insulation resistance	≥100MΩ	机械寿命 Mechanical life	> 100 mating cycles
接触电阻 Contact resistance	≤5mΩ	—	—
运行温度 Ambient temperature	-25 ~ +105℃	—	—
防护等级 IP Class	IP67	—	—

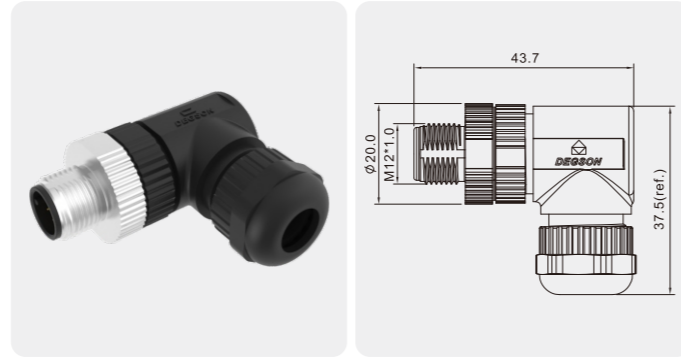
针数 Number of Pins		03 Pin	04 Pin		05 Pin		06 Pin	08 Pin
编码 Coding	编码 Coded	A-Coded	A-Coded	D-Coded	A-Coded	B-Coded	A-Coded	A-Coded
	正面图 Front View							
额定电流 Rated current	A.	4A	4A	4A	4A	4A	2A	2A
额定电压 Rated voltage	V.	250V	250V	250V	60V	60V	30V	30V
电线电缆 Wire/Cable	线规 Wire gauge	22AWG	22AWG	22AWG	22AWG	22AWG	24AWG	24AWG
	横截面 Cross section	0.34mm ²	0.34mm ²	0.34mm ²	0.34mm ²	0.34mm ²	0.25mm ²	0.25mm ²
描述 Description	订单号 Order NO.	订单号 Order NO.	订单号 Order NO.	订单号 Order NO.	订单号 Order NO.	订单号 Order NO.	订单号 Order NO.	订单号 Order NO.
—	PB-M12A-03P-FF-SL7001-00AH	PB-M12A-04P-FF-SL7001-00AH	PB-M12D-04P-FF-SL7001-00AH	PB-M12A-05P-FF-SL7001-00AH	PB-M12B-05P-FF-SL7001-00AH	PB-M12A-06P-FF-SL7001-00AH	PB-M12A-08P-FF-SL7001-00AH	

零件图 Component part drawing



M12 x 1 针式现场组装插头。非屏蔽，螺钉连接，弯头。

M12 x 1 Male Field Assembly Plug, Unshielded, Screw Connection, Angled.

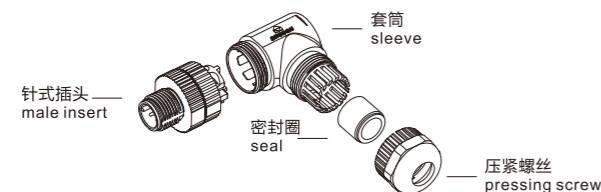


技术数据 Technical Data

标准 Standard	IEC 61076	端子载体材料 Contact carriers material	PA
系列 Series	M12, Male	端子材料 Contact material	Copper Alloy, Gold-plated
Pin针数量 Number of Pins	03,04,05,06,08 Pin	金属螺母 Metal of nut	Zinc Alloy with Nickel Plated
额定电流 Rated Current	4A max.	胶圈 Seal	Silicone
额定电压 Rated voltage	250V max.	屏蔽 Shielding	Unshielded
绝缘电阻 Insulation resistance	≥100MΩ	机械寿命 Mechanical life	> 100 mating cycles
接触电阻 Contact resistance	≤5mΩ	—	—
运行温度 Ambient temperature	-25 ~ +105℃	—	—
防护等级 IP Class	IP67	—	—

针数 Number of Pins		03 Pin	04 Pin		05 Pin		06 Pin	08 Pin
编码 Coding	编码 Coded	A-Coded	A-Coded	D-Coded	A-Coded	B-Coded	A-Coded	A-Coded
	正面图 Front View							
额定电流 Rated current	A.	4A	4A	4A	4A	4A	2A	2A
额定电压 Rated voltage	V.	250V	250V	250V	60V	60V	30V	30V
电线电缆 Wire/Cable	线规 Wire gauge	22AWG	22AWG	22AWG	22AWG	22AWG	24AWG	24AWG
	横截面 Cross section	0.34mm ²	0.34mm ²	0.34mm ²	0.34mm ²	0.34mm ²	0.25mm ²	0.25mm ²
描述 Description	订单号 Order NO.	订单号 Order NO.	订单号 Order NO.	订单号 Order NO.	订单号 Order NO.	订单号 Order NO.	订单号 Order NO.	订单号 Order NO.
—	PB-M12A-03P-MM-SR7001-00AH	PB-M12A-04P-MM-SR7001-00AH	PB-M12D-04P-MM-SR7001-00AH	PB-M12A-05P-MM-SR7001-00AH	PB-M12B-05P-MM-SR7001-00AH	PB-M12A-06P-MM-SR7001-00AH	PB-M12A-08P-MM-SR7001-00AH	

零件图 Component part drawing



M12 x 1 孔式现场组装插头。非屏蔽，螺钉连接，弯头。

M12 x 1 Female Field Assembly Plug, Unshielded, Screw Connection, Angled.

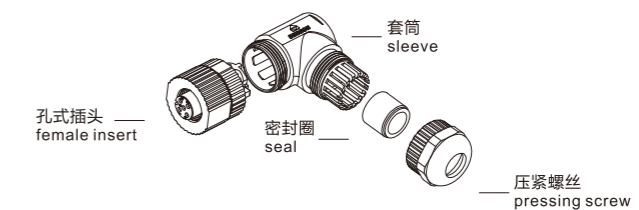


技术数据 Technical Data

标准 Standard	IEC 61076	端子载体材料 Contact carriers material	PA
系列 Series	M12, Female	端子材料 Contact material	Copper Alloy, Gold-plated
Pin针数量 Number of Pins	03,04,05,06,08 Pin	金属螺母 Metal of nut	Zinc Alloy with Nickel Plated
额定电流 Rated Current	4A max.	胶圈 Seal	Silicone
额定电压 Rated voltage	250V max.	屏蔽 Shielding	Unshielded
绝缘电阻 Insulation resistance	≥100MΩ	机械寿命 Mechanical life	> 100 mating cycles
接触电阻 Contact resistance	≤5mΩ	—	—
运行温度 Ambient temperature	-25 ~ +105℃	—	—
防护等级 IP Class	IP67	—	—

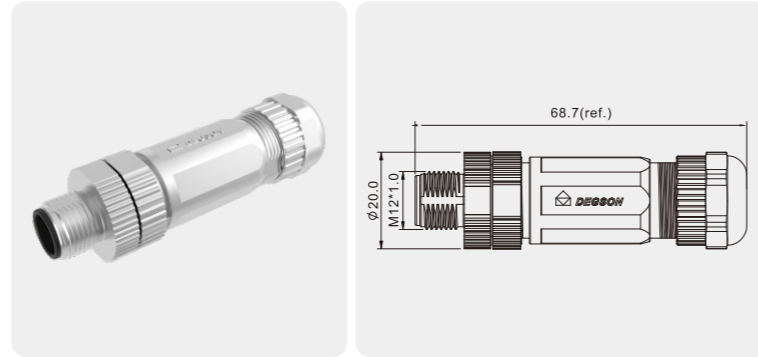
针数 Number of Pins		03 Pin	04 Pin		05 Pin		06 Pin	08 Pin
编码 Coding	编码 Coded	A-Coded	A-Coded	D-Coded	A-Coded	B-Coded	A-Coded	A-Coded
	正面图 Front View							
额定电流 Rated current	A.	4A	4A	4A	4A	4A	2A	2A
额定电压 Rated voltage	V.	250V	250V	250V	60V	60V	30V	30V
电线电缆 Wire/Cable	线规 Wire gauge	22AWG	22AWG	22AWG	22AWG	22AWG	24AWG	24AWG
	横截面 Cross section	0.34mm ²	0.34mm ²	0.34mm ²	0.34mm ²	0.34mm ²	0.25mm ²	0.25mm ²
描述 Description	订单号 Order NO.	订单号 Order NO.	订单号 Order NO.	订单号 Order NO.	订单号 Order NO.	订单号 Order NO.	订单号 Order NO.	订单号 Order NO.
—	PB-M12A-03P-FF-SR7001-00AH	PB-M12A-04P-FF-SR7001-00AH	PB-M12D-04P-FF-SR7001-00AH	PB-M12A-05P-FF-SR7001-00AH	PB-M12B-05P-FF-SR7001-00AH	PB-M12A-06P-FF-SR7001-00AH	PB-M12A-08P-FF-SR7001-00AH	

零件图 Component part drawing



M12 x 1 针式现场组装插头，屏蔽，螺钉连接，直头。

M12 x 1 Male Field Assembly Plug, Shielded, Screw Connection, Straight.

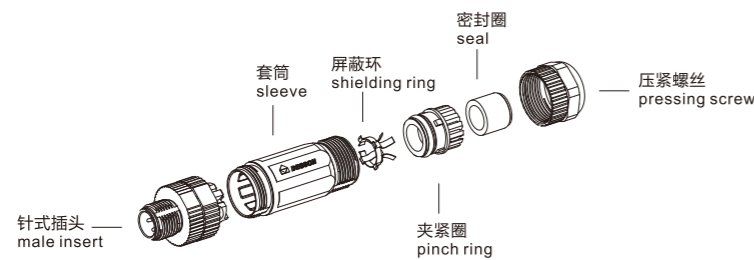


技术数据 Technical Data

标准 Standard	IEC 61076	端子载体材料 Contact carriers material	PA
系列 Series	M12, Male	端子材料 Contact material	Copper Alloy, Gold-plated
Pin针数量 Number of Pins	03,04,05,06,08 Pin	金属螺母 Metal of nut	Zinc Alloy with Nickel Plated
额定电流 Rated Current	4A max.	胶圈 Seal	Silicone
额定电压 Rated voltage	250V max.	屏蔽 Shielding	Shielded
绝缘电阻 Insulation resistance	≥100MΩ	机械寿命 Mechanical life	> 100 mating cycles
接触电阻 Contact resistance	≤5mΩ	—	—
运行温度 Ambient temperature	-25 ~ +105℃	—	—
防护等级 IP Class	IP67	—	—

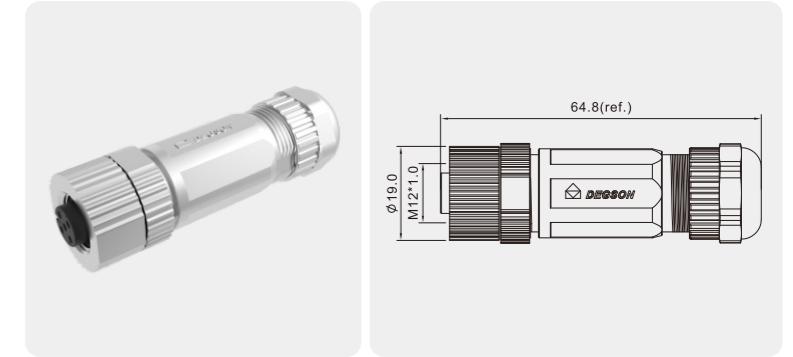
针数 Number of Pins	03 Pin		04 Pin		05 Pin		06 Pin	08 Pin
	编码 Coded	A-Coded	A-Coded	D-Coded	A-Coded	B-Coded	A-Coded	A-Coded
编码 Coding	正面图 Front View							
额定电流 Rated current	A.	4A	4A	4A	4A	4A	2A	2A
额定电压 Rated voltage	V.	250V	250V	250V	60V	60V	30V	30V
电线电缆 Wire/Cable	线规 Wire gauge	22AWG	22AWG	22AWG	22AWG	22AWG	24AWG	24AWG
	横截面 Cross section	0.34mm ²	0.34mm ²	0.34mm ²	0.34mm ²	0.34mm ²	0.25mm ²	0.25mm ²
描述 Description	订单号 Order NO.	订单号 Order NO.	订单号 Order NO.	订单号 Order NO.	订单号 Order NO.	订单号 Order NO.	订单号 Order NO.	订单号 Order NO.
线径范围: 4.5-6.0mm Cable OD: 4.5-6.0mm	PBSHM12A-03P-MM-SL7001-00AH	PBSHM12A-04P-MM-SL7001-00AH	PBSHM12D-04P-MM-SL7001-00AH	PBSHM12A-05P-MM-SL7001-00AH	PBSHM12B-05P-MM-SL7001-00AH	PBSHM12A-06P-MM-SL7001-00AH	PBSHM12A-08P-MM-SL7001-00AH	
线径范围: 6.0-7.5mm Cable Od: 6.0-7.5mm	PBSHM12A-03P-MM-SL7002-00AH	PBSHM12A-04P-MM-SL7002-00AH	PBSHM12D-04P-MM-SL7002-00AH	PBSHM12A-05P-MM-SL7002-00AH	PBSHM12B-05P-MM-SL7002-00AH	PBSHM12A-06P-MM-SL7002-00AH	PBSHM12A-08P-MM-SL7002-00AH	

零件图 Component part drawing



M12 x 1 孔式现场组装插头，屏蔽，螺钉连接，直头。

M12 x 1 Female Field Assembly Plug, Shielded, Screw Connection, Straight.

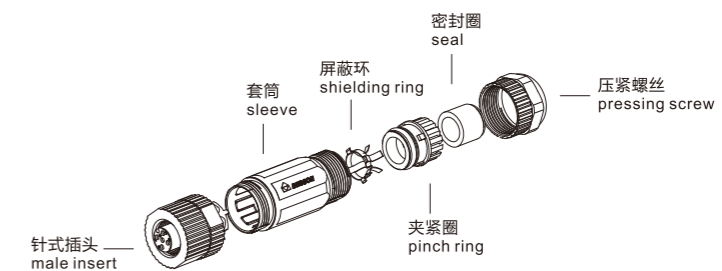


技术数据 Technical Data

标准 Standard	IEC 61076	端子载体材料 Contact carriers material	PA
系列 Series	M12, Female	端子材料 Contact material	Copper Alloy, Gold-plated
Pin针数量 Number of Pins	03,04,05,06,08 Pin	金属螺母 Metal of nut	Zinc Alloy with Nickel Plated
额定电流 Rated Current	4A max.	胶圈 Seal	Silicone
额定电压 Rated voltage	250V max.	屏蔽 Shielding	Shielded
绝缘电阻 Insulation resistance	≥100MΩ	机械寿命 Mechanical life	> 100 mating cycles
接触电阻 Contact resistance	≤5mΩ	—	—
运行温度 Ambient temperature	-25 ~ +105℃	—	—
防护等级 IP Class	IP67	—	—

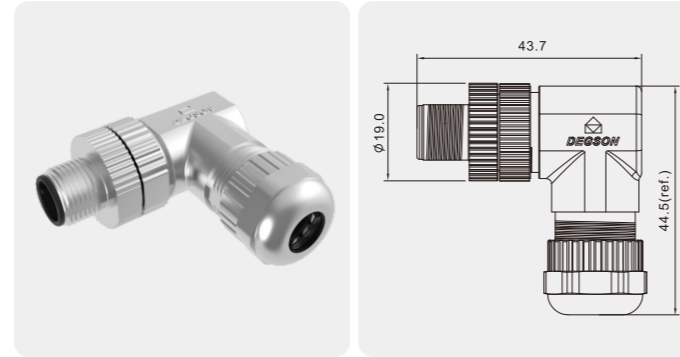
针数 Number of Pins	03 Pin		04 Pin		05 Pin		06 Pin	08 Pin
	编码 Coded	A-Coded	A-Coded	D-Coded	A-Coded	B-Coded	A-Coded	A-Coded
编码 Coding	正面图 Front View							
额定电流 Rated current	A.	4A	4A	4A	4A	4A	2A	2A
额定电压 Rated voltage	V.	250V	250V	250V	60V	60V	30V	30V
电线电缆 Wire/Cable	线规 Wire gauge	22AWG	22AWG	22AWG	22AWG	22AWG	24AWG	24AWG
	横截面 Cross section	0.34mm ²	0.34mm ²	0.34mm ²	0.34mm ²	0.34mm ²	0.25mm ²	0.25mm ²
描述 Description	订单号 Order NO.	订单号 Order NO.	订单号 Order NO.	订单号 Order NO.	订单号 Order NO.	订单号 Order NO.	订单号 Order NO.	订单号 Order NO.
线径范围: 4.5-6.0mm Cable OD: 4.5-6.0mm	PBSHM12A-03P-MM-SL7001-00AH	PBSHM12A-04P-MM-SL7001-00AH	PBSHM12D-04P-MM-SL7001-00AH	PBSHM12A-05P-MM-SL7001-00AH	PBSHM12B-05P-MM-SL7001-00AH	PBSHM12A-06P-MM-SL7001-00AH	PBSHM12A-08P-MM-SL7001-00AH	
线径范围: 6.0-7.5mm Cable Od: 6.0-7.5mm	PBSHM12A-03P-MM-SL7002-00AH	PBSHM12A-04P-MM-SL7002-00AH	PBSHM12D-04P-MM-SL7002-00AH	PBSHM12A-05P-MM-SL7002-00AH	PBSHM12B-05P-MM-SL7002-00AH	PBSHM12A-06P-MM-SL7002-00AH	PBSHM12A-08P-MM-SL7002-00AH	

零件图 Component part drawing



M12 x 1 针式现场组装插头，屏蔽，螺钉连接，弯头。

M12 x 1 Male Field Assembly Plug, Shielded, Screw Connection, Angled.

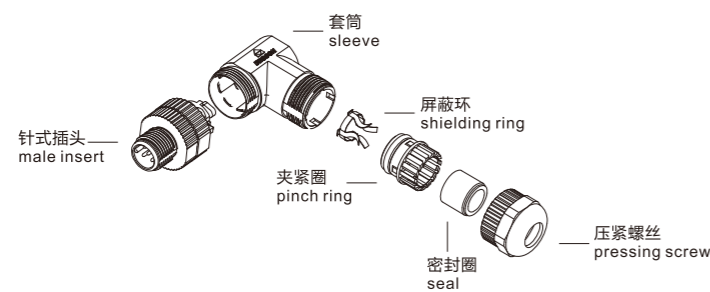


技术数据 Technical Data

标准 Standard	IEC 61076	端子载体材料 Contact carriers material	PA
系列 Series	M12, Male	端子材料 Contact material	Copper Alloy, Gold-plated
Pin针数量 Number of Pins	03,04,05,06,08 Pin	金属螺母 Metal of nut	Zinc Alloy with Nickel Plated
额定电流 Rated Current	4A max.	胶圈 Seal	Silicone
额定电压 Rated voltage	250V max.	屏蔽 Shielding	Shielded
绝缘电阻 Insulation resistance	≥100MΩ	机械寿命 Mechanical life	> 100 mating cycles
接触电阻 Contact resistance	≤5mΩ	—	—
运行温度 Ambient temperature	-25 ~ +105℃	—	—
防护等级 IP Class	IP67	—	—

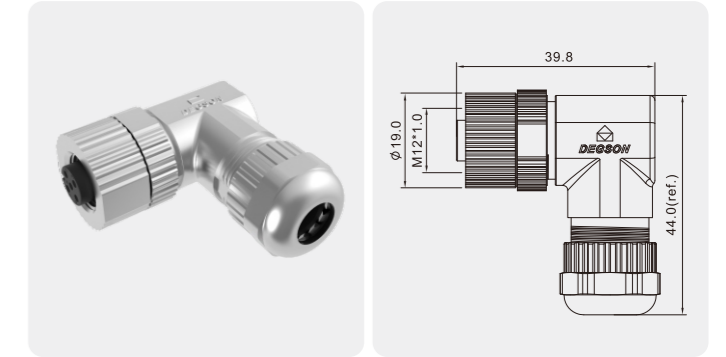
针数 Number of Pins		03 Pin	04 Pin		05 Pin		06 Pin	08 Pin
编码 Coding	编码 Coded	A-Coded	A-Coded	D-Coded	A-Coded	B-Coded	A-Coded	A-Coded
	正面图 Front View							
额定电流 Rated current	A.	4A	4A	4A	4A	4A	2A	2A
额定电压 Rated voltage	V.	250V	250V	250V	60V	60V	30V	30V
电线电缆 Wire/Cable	线规 Wire gauge	22AWG	22AWG	22AWG	22AWG	22AWG	24AWG	24AWG
	横截面 Cross section	0.34mm ²	0.34mm ²	0.34mm ²	0.34mm ²	0.34mm ²	0.25mm ²	0.25mm ²
描述 Description	订单号 Order NO.	订单号 Order NO.	订单号 Order NO.	订单号 Order NO.	订单号 Order NO.	订单号 Order NO.	订单号 Order NO.	订单号 Order NO.
线径范围: 6.0-7.5mm Cable Od: 6.0-7.5mm	PBSHM12A-03P-MM-SR7001-00AH	PBSHM12A-04P-MM-SR7001-00AH	PBSHM12D-04P-MM-SR7001-00AH	PBSHM12A-05P-MM-SR7001-00AH	PBSHM12B-05P-MM-SR7001-00AH	PBSHM12A-06P-MM-SR7001-00AH	PBSHM12A-08P-MM-SR7001-00AH	
线径范围: 6.0-7.5mm Cable Od: 6.0-7.5mm	PBSHM12A-03P-MM-SR7002-00AH	PBSHM12A-04P-MM-SR7002-00AH	PBSHM12D-04P-MM-SR7002-00AH	PBSHM12A-05P-MM-SR7002-00AH	PBSHM12B-05P-MM-SR7002-00AH	PBSHM12A-06P-MM-SR7002-00AH	PBSHM12A-08P-MM-SR7002-00AH	

零件图 Component part drawing



M12 x 1 孔式现场组装插头，屏蔽，螺钉连接，弯头。

M12 x 1 Female Field Assembly Plug, Shielded, Screw Connection, Angled.

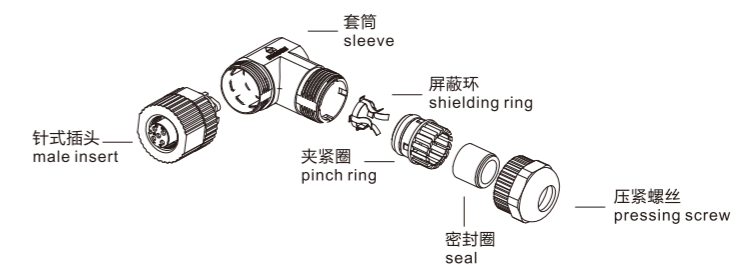


技术数据 Technical Data

标准 Standard	IEC 61076	端子载体材料 Contact carriers material	PA
系列 Series	M12, Female	端子材料 Contact material	Copper Alloy, Gold-plated
Pin针数量 Number of Pins	03,04,05,06,08 Pin	金属螺母 Metal of nut	Zinc Alloy with Nickel Plated
额定电流 Rated Current	4A max.	胶圈 Seal	Silicone
额定电压 Rated voltage	250V max.	屏蔽 Shielding	Shielded
绝缘电阻 Insulation resistance	≥100MΩ	机械寿命 Mechanical life	> 100 mating cycles
接触电阻 Contact resistance	≤5mΩ	—	—
运行温度 Ambient temperature	-25 ~ +105℃	—	—
防护等级 IP Class	IP67	—	—

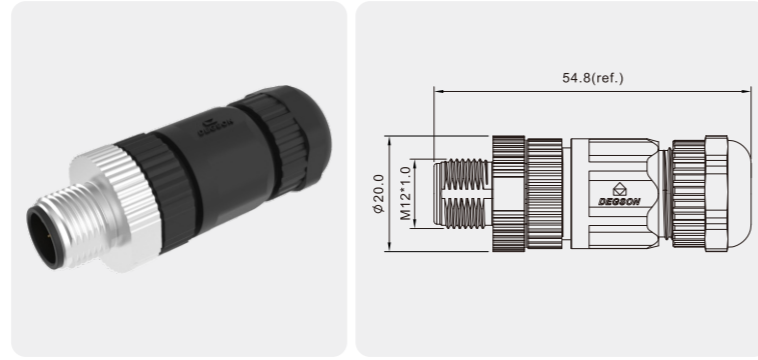
针数 Number of Pins		03 Pin	04 Pin		05 Pin		06 Pin	08 Pin
编码 Coding	编码 Coded	A-Coded	A-Coded	D-Coded	A-Coded	B-Coded	A-Coded	A-Coded
	正面图 Front View							
额定电流 Rated current	A.	4A	4A	4A	4A	4A	2A	2A
额定电压 Rated voltage	V.	250V	250V	250V	60V	60V	30V	30V
电线电缆 Wire/Cable	线规 Wire gauge	22AWG	22AWG	22AWG	22AWG	22AWG	24AWG	24AWG
	横截面 Cross section	0.34mm ²	0.34mm ²	0.34mm ²	0.34mm ²	0.34mm ²	0.25mm ²	0.25mm ²
描述 Description	订单号 Order NO.	订单号 Order NO.	订单号 Order NO.	订单号 Order NO.	订单号 Order NO.	订单号 Order NO.	订单号 Order NO.	订单号 Order NO.
线径范围: 6.0-7.5mm Cable Od: 6.0-7.5mm	PBSHM12A-03P-MM-SR7001-00AH	PBSHM12A-04P-MM-SR7001-00AH	PBSHM12D-04P-MM-SR7001-00AH	PBSHM12A-05P-MM-SR7001-00AH	PBSHM12B-05P-MM-SR7001-00AH	PBSHM12A-06P-MM-SR7001-00AH	PBSHM12A-08P-MM-SR7001-00AH	
线径范围: 6.0-7.5mm Cable Od: 6.0-7.5mm	PBSHM12A-03P-MM-SR7002-00AH	PBSHM12A-04P-MM-SR7002-00AH	PBSHM12D-04P-MM-SR7002-00AH	PBSHM12A-05P-MM-SR7002-00AH	PBSHM12B-05P-MM-SR7002-00AH	PBSHM12A-06P-MM-SR7002-00AH	PBSHM12A-08P-MM-SR7002-00AH	

零件图 Component part drawing



M12 x 1 针式现场组装插头。非屏蔽，焊接式，直头。

M12 x 1 Male Field Assembly Plug, Unshielded, Soldering Connection, Straight.

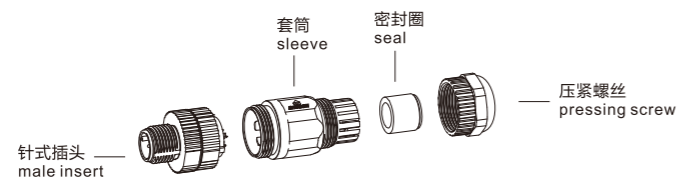


技术数据 Technical Data

标准 Standard	IEC 61076	端子载体材料 Contact carriers material	PA
系列 Series	M12, Male	端子材料 Contact material	Copper Alloy, Gold-plated
Pin针数量 Number of Pins	03,04,05,06,08,10,12Pin	金属螺母 Metal of nut	Zinc Alloy with Nickel Plated
额定电流 Rated Current	4A max.	胶圈 Seal	Silicone
额定电压 Rated voltage	250V max.	屏蔽 Shielding	Unshielded
绝缘电阻 Insulation resistance	≥100MΩ	机械寿命 Mechanical life	> 100 mating cycles
接触电阻 Contact resistance	≤5mΩ	—	—
运行温度 Ambient temperature	-25 ~ +105℃	—	—
防护等级 IP Class	IP67	—	—

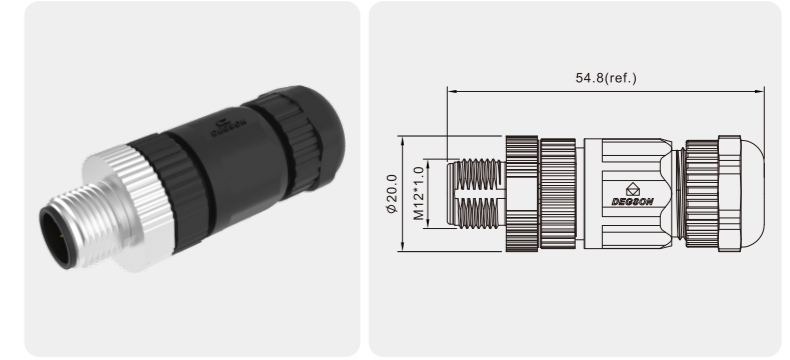
针数 Number of Pins		03 Pin	04 Pin	05 Pin	06 Pin	08 Pin
编码 Coding	编码 Coded	A-Coded	A-Coded	A-Coded	A-Coded	A-Coded
	正面图 Front View					
额定电流 Rated current	A.	4A	4A	4A	2A	2A
额定电压 Rated voltage	V.	250V	250V	60V	30V	30V
电线电缆 Wire/Cable	线规 Wire gauge	22AWG	22AWG	22AWG	24AWG	24AWG
	横截面 Cross section	0.34mm ²	0.34mm ²	0.34mm ²	0.25mm ²	0.25mm ²
描述 Description	订单号 Order NO.	订单号 Order NO.	订单号 Order NO.	订单号 Order NO.	订单号 Order NO.	订单号 Order NO.
—	PA-M12A-03P-MM-SL7001-00AH	PA-M12A-04P-MM-SL7001-00AH	PA-M12A-05P-MM-SL7001-00AH	PA-M12A-06P-MM-SL7001-00AH	PA-M12A-08P-MM-SL7001-00AH	

零件图 Component part drawing



M12 x 1 针式现场组装插头。非屏蔽，焊接式，直头。

M12 x 1 Male Field Assembly Plug, Unshielded, Soldering Connection, Straight.

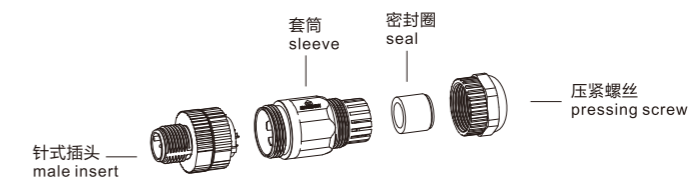


技术数据 Technical Data

标准 Standard	IEC 61076	端子载体材料 Contact carriers material	PA
系列 Series	M12, Male	端子材料 Contact material	Copper Alloy, Gold-plated
Pin针数量 Number of Pins	03,04,05,06,08,10,12Pin	金属螺母 Metal of nut	Zinc Alloy with Nickel Plated
额定电流 Rated Current	4A max.	胶圈 Seal	Silicone
额定电压 Rated voltage	250V max.	屏蔽 Shielding	Unshielded
绝缘电阻 Insulation resistance	≥100MΩ	机械寿命 Mechanical life	> 100 mating cycles
接触电阻 Contact resistance	≤5mΩ	—	—
运行温度 Ambient temperature	-25 ~ +105℃	—	—
防护等级 IP Class	IP67	—	—

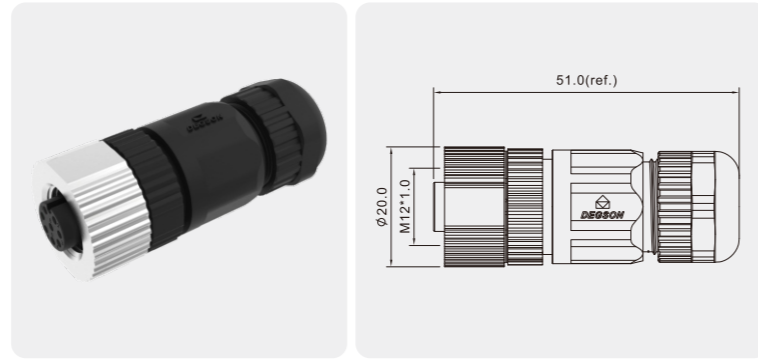
针数 Number of Pins		10 Pin	12 Pin	05 Pin	04 Pin
编码 Coding	编码 Coded	A-Coded	A-Coded	B-Coded	D-Coded
	正面图 Front View				
额定电流 Rated current	A.	1.5A	1.5A	4A	4A
额定电压 Rated voltage	V.	30V	30V	60V	250V
电线电缆 Wire/Cable	线规 Wire gauge	26AWG	26AWG	22AWG	22AWG
	横截面 Cross section	0.14mm ²	0.14mm ²	0.34mm ²	0.34mm ²
描述 Description	订单号 Order NO.	订单号 Order NO.	订单号 Order NO.	订单号 Order NO.	订单号 Order NO.
—	PA-M12A-10P-MM-SL7001-00AH	PA-M12A-12P-MM-SL7001-00AH	PA-M12B-05P-MM-SL7001-00AH	PA-M12D-04P-MM-SL7001-00AH	

零件图 Component part drawing



M12 x 1 孔式现场组装插头。非屏蔽，焊接式，直头。

M12 x 1 Female Field Assembly Plug, Unshielded, Soldering Connection, Straight.

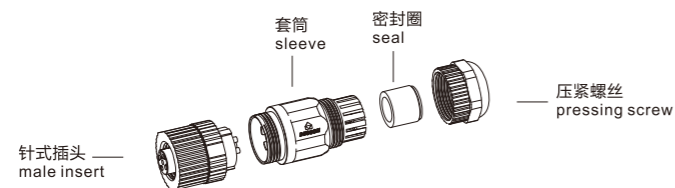


技术数据 Technical Data

标准 Standard	IEC 61076	端子载体材料 Contact carriers material	PA
系列 Series	M12, Female	端子材料 Contact material	Copper Alloy, Gold-plated
Pin针数量 Number of Pins	03,04,05,06,08,10,12Pin	金属螺母 Metal of nut	Zinc Alloy with Nickel Plated
额定电流 Rated Current	4A max.	胶圈 Seal	Silicone
额定电压 Rated voltage	250V max.	屏蔽 Shielding	Unshielded
绝缘电阻 Insulation resistance	≥100MΩ	机械寿命 Mechanical life	> 100 mating cycles
接触电阻 Contact resistance	≤5mΩ	—	—
运行温度 Ambient temperature	-25 ~ +105℃	—	—
防护等级 IP Class	IP67	—	—

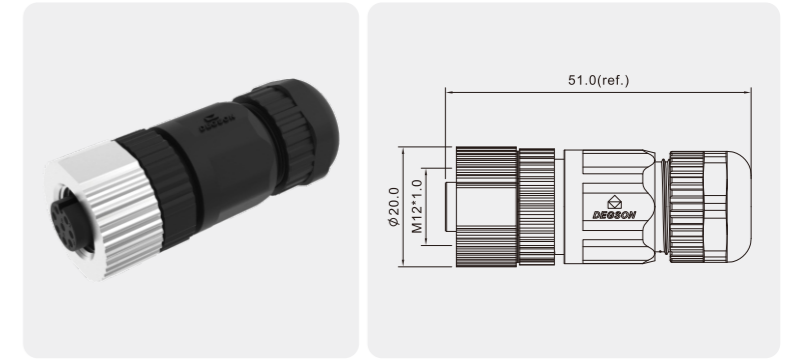
针数 Number of Pins		03 Pin	04 Pin	05 Pin	06 Pin	08 Pin
编码 Coding	编码 Coded	A-Coded	A-Coded	A-Coded	A-Coded	A-Coded
	正面图 Front View					
额定电流 Rated current	A.	4A	4A	4A	2A	2A
额定电压 Rated voltage	V.	250V	250V	60V	30V	30V
电线电缆 Wire/Cable	线规 Wire gauge	22AWG	22AWG	22AWG	24AWG	24AWG
	横截面 Cross section	0.34mm ²	0.34mm ²	0.34mm ²	0.25mm ²	0.25mm ²
描述 Description	订单号 Order NO.	订单号 Order NO.	订单号 Order NO.	订单号 Order NO.	订单号 Order NO.	订单号 Order NO.
—	PA-M12A-03P-FF-SL7001-00AH	PA-M12A-04P-FF-SL7001-00AH	PA-M12A-05P-FF-SL7001-00AH	PA-M12A-06P-FF-SL7001-00AH	PA-M12A-08P-FF-SL7001-00AH	

零件图 Component part drawing



M12 x 1 孔式现场组装插头。非屏蔽，焊接式，直头。

M12 x 1 Female Field Assembly Plug, Unshielded, Soldering Connection, Straight.



技术数据 Technical Data

标准 Standard	IEC 61076	端子载体材料 Contact carriers material	PA
系列 Series	M12, Female	端子材料 Contact material	Copper Alloy, Gold-plated
Pin针数量 Number of Pins	03,04,05,06,08,10,12Pin	金属螺母 Metal of nut	Zinc Alloy with Nickel Plated
额定电流 Rated Current	4A max.	胶圈 Seal	Silicone
额定电压 Rated voltage	250V max.	屏蔽 Shielding	Unshielded
绝缘电阻 Insulation resistance	≥100MΩ	机械寿命 Mechanical life	> 100 mating cycles
接触电阻 Contact resistance	≤5mΩ	—	—
运行温度 Ambient temperature	-25 ~ +105℃	—	—
防护等级 IP Class	IP67	—	—

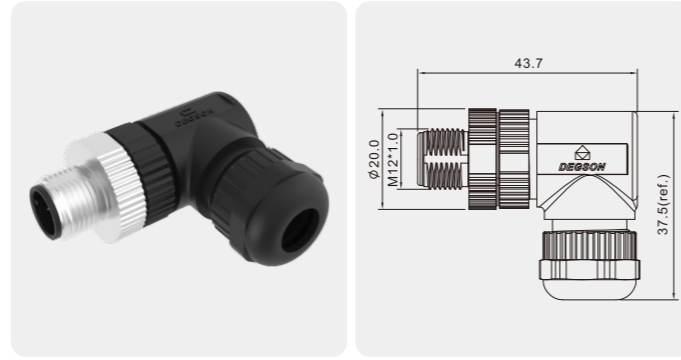
针数 Number of Pins		10 Pin	12 Pin	05 Pin	04 Pin
编码 Coding	编码 Coded	A-Coded	A-Coded	B-Coded	D-Coded
	正面图 Front View				
额定电流 Rated current	A.	1.5A	1.5A	4A	4A
额定电压 Rated voltage	V.	30V	30V	60V	250V
电线电缆 Wire/Cable	线规 Wire gauge	26AWG	26AWG	22AWG	22AWG
	横截面 Cross section	0.14mm ²	0.14mm ²	0.34mm ²	0.34mm ²
描述 Description	订单号 Order NO.	订单号 Order NO.	订单号 Order NO.	订单号 Order NO.	订单号 Order NO.
—	PA-M12A-10P-FF-SL7001-00AH	PA-M12A-12P-FF-SL7001-00AH	PA-M12B-05P-FF-SL7001-00AH	PA-M12D-04P-FF-SL7001-00AH	

零件图 Component part drawing



M12 x 1 针式现场组装插头。非屏蔽，焊接式，弯头。

M12 x 1 Male Field Assembly Plug, Unshielded, Soldering Connection, Angled.

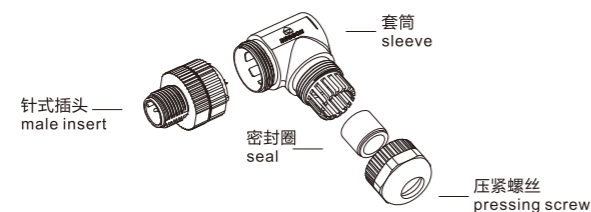


技术数据 Technical Data

标准 Standard	IEC 61076	端子载体材料 Contact carriers material	PA
系列 Series	M12, Male	端子材料 Contact material	Copper Alloy, Gold-plated
Pin针数量 Number of Pins	03,04,05,06,08,10,12Pin	金属螺母 Metal of nut	Zinc Alloy with Nickel Plated
额定电流 Rated Current	4A max.	胶圈 Seal	Silicone
额定电压 Rated voltage	250V max.	屏蔽 Shielding	Unshielded
绝缘电阻 Insulation resistance	≥100MΩ	机械寿命 Mechanical life	> 100 mating cycles
接触电阻 Contact resistance	≤5mΩ	—	—
运行温度 Ambient temperature	-25 ~ +105℃	—	—
防护等级 IP Class	IP67	—	—

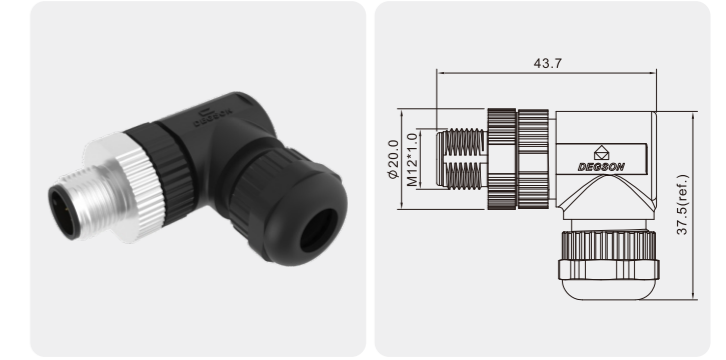
针数 Number of Pins		03 Pin	04 Pin	05 Pin	06 Pin	08 Pin
编码 Coding	编码 Coded	A-Coded	A-Coded	A-Coded	A-Coded	A-Coded
	正面图 Front View					
额定电流 Rated current	A.	4A	4A	4A	2A	2A
额定电压 Rated voltage	V.	250V	250V	60V	30V	30V
电线/电缆 Wire/Cable	线规 Wire gauge	22AWG	22AWG	22AWG	24AWG	24AWG
	横截面 Cross section	0.34mm ²	0.34mm ²	0.34mm ²	0.25mm ²	0.25mm ²
描述 Description	订单号 Order NO.	订单号 Order NO.	订单号 Order NO.	订单号 Order NO.	订单号 Order NO.	订单号 Order NO.
—	PA-M12A-03P-MM-SR7001-00AH	PA-M12A-04P-MM-SR7001-00AH	PA-M12A-05P-MM-SR7001-00AH	PA-M12A-06P-MM-SR7001-00AH	PA-M12A-08P-MM-SR7001-00AH	

零件图 Component part drawing



M12 x 1 针式现场组装插头。非屏蔽，焊接式，弯头。

M12 x 1 Male Field Assembly Plug, Unshielded, Soldering Connection, Angled.

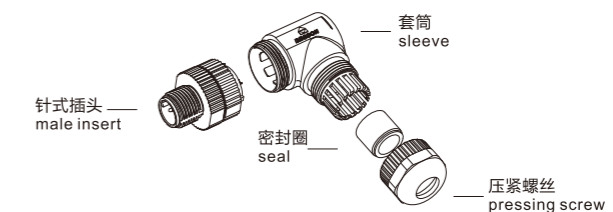


技术数据 Technical Data

标准 Standard	IEC 61076	端子载体材料 Contact carriers material	PA
系列 Series	M12, Male	端子材料 Contact material	Copper Alloy, Gold-plated
Pin针数量 Number of Pins	03,04,05,06,08,10,12Pin	金属螺母 Metal of nut	Zinc Alloy with Nickel Plated
额定电流 Rated Current	4A max.	胶圈 Seal	Silicone
额定电压 Rated voltage	250V max.	屏蔽 Shielding	Unshielded
绝缘电阻 Insulation resistance	≥100MΩ	机械寿命 Mechanical life	> 100 mating cycles
接触电阻 Contact resistance	≤5mΩ	—	—
运行温度 Ambient temperature	-25 ~ +105℃	—	—
防护等级 IP Class	IP67	—	—

针数 Number of Pins		10 Pin	12 Pin	05 Pin	04 Pin
编码 Coding	编码 Coded	A-Coded	A-Coded	B-Coded	D-Coded
	正面图 Front View				
额定电流 Rated current	A.	1.5A	1.5A	4A	4A
额定电压 Rated voltage	V.	30V	30V	60V	250V
电线/电缆 Wire/Cable	线规 Wire gauge	26AWG	26AWG	22AWG	22AWG
	横截面 Cross section	0.14mm ²	0.14mm ²	0.34mm ²	0.34mm ²
描述 Description	订单号 Order NO.	订单号 Order NO.	订单号 Order NO.	订单号 Order NO.	订单号 Order NO.
—	PA-M12A-10P-MM-SR7001-00AH	PA-M12A-12P-MM-SR7001-00AH	PA-M12B-05P-MM-SR7001-00AH	PA-M12D-04P-MM-SR7001-00AH	

零件图 Component part drawing



M12 x 1 孔式现场组装插头。非屏蔽，焊接式，弯头。

M12 x 1 Female Field Assembly Plug, Unshielded, Soldering Connection, Angled.

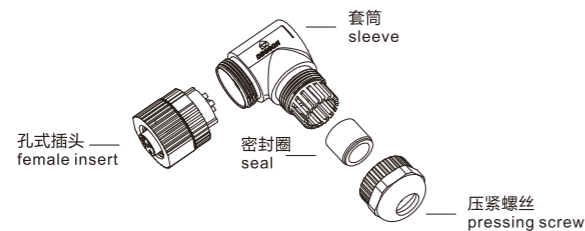


技术数据 Technical Data

标准 Standard	IEC 61076	端子载体材料 Contact carriers material	PA
系列 Series	M12, Female	端子材料 Contact material	Copper Alloy, Gold-plated
Pin针数量 Number of Pins	03,04,05,06,08,10,12Pin	金属螺母 Metal of nut	Zinc Alloy with Nickel Plated
额定电流 Rated Current	4A max.	胶圈 Seal	Silicone
额定电压 Rated voltage	250V max.	屏蔽 Shielding	Unshielded
绝缘电阻 Insulation resistance	≥100MΩ	机械寿命 Mechanical life	> 100 mating cycles
接触电阻 Contact resistance	≤5mΩ	—	—
运行温度 Ambient temperature	-25 ~ +105℃	—	—
防护等级 IP Class	IP67	—	—

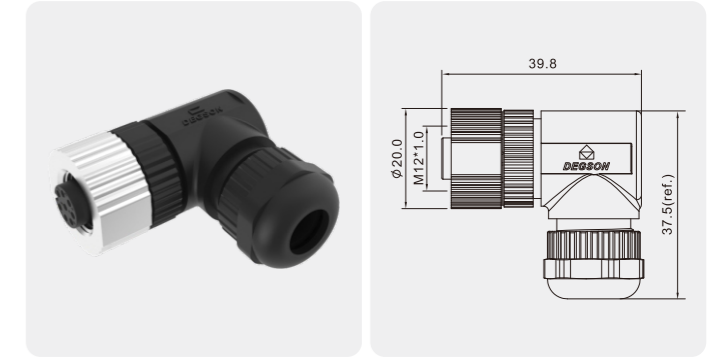
针数 Number of Pins		03 Pin	04 Pin	05 Pin	06 Pin	08 Pin
编码 Coding	编码 Coded	A-Coded	A-Coded	A-Coded	A-Coded	A-Coded
	正面图 Front View					
额定电流 Rated current	A.	4A	4A	4A	2A	2A
额定电压 Rated voltage	V.	250V	250V	60V	30V	30V
电线电缆 Wire/Cable	线规 Wire gauge	22AWG	22AWG	22AWG	24AWG	24AWG
	横截面 Cross section	0.34mm ²	0.34mm ²	0.34mm ²	0.25mm ²	0.25mm ²
描述 Description	订单号 Order NO.	PA-M12A-03P-FF-SR7001-00AH	PA-M12A-04P-FF-SR7001-00AH	PA-M12A-05P-FF-SR7001-00AH	PA-M12A-06P-FF-SR7001-00AH	PA-M12A-08P-FF-SR7001-00AH
—	—	—	—	—	—	—

零件图 Component part drawing



M12 x 1 孔式现场组装插头。非屏蔽，焊接式，弯头。

M12 x 1 Female Field Assembly Plug, Unshielded, Soldering Connection, Angled.

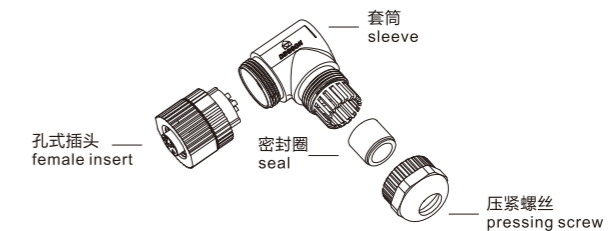


技术数据 Technical Data

标准 Standard	IEC 61076	端子载体材料 Contact carriers material	PA
系列 Series	M12, Female	端子材料 Contact material	Copper Alloy, Gold-plated
Pin针数量 Number of Pins	03,04,05,06,08,10,12Pin	金属螺母 Metal of nut	Zinc Alloy with Nickel Plated
额定电流 Rated Current	4A max.	胶圈 Seal	Silicone
额定电压 Rated voltage	250V max.	屏蔽 Shielding	Unshielded
绝缘电阻 Insulation resistance	≥100MΩ	机械寿命 Mechanical life	> 100 mating cycles
接触电阻 Contact resistance	≤5mΩ	—	—
运行温度 Ambient temperature	-25 ~ +105℃	—	—
防护等级 IP Class	IP67	—	—

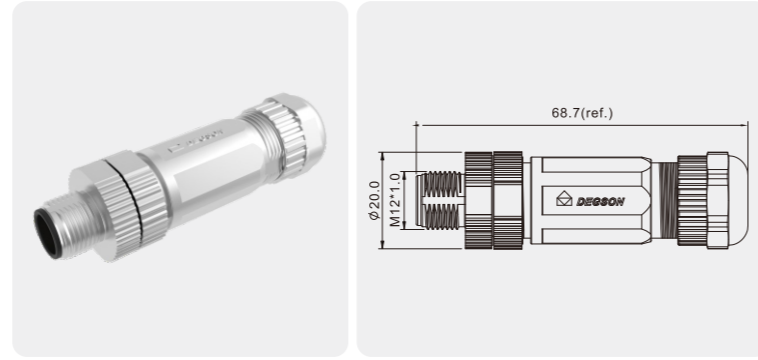
针数 Number of Pins		10 Pin	12 Pin	05 Pin	04 Pin
编码 Coding	编码 Coded	A-Coded	A-Coded	B-Coded	D-Coded
	正面图 Front View				
额定电流 Rated current	A.	1.5A	1.5A	4A	4A
额定电压 Rated voltage	V.	30V	30V	60V	250V
电线电缆 Wire/Cable	线规 Wire gauge	26AWG	26AWG	22AWG	22AWG
	横截面 Cross section	0.14mm ²	0.14mm ²	0.34mm ²	0.34mm ²
描述 Description	订单号 Order NO.	PA-M12A-10P-FF-SR7001-00AH	PA-M12A-12P-FF-SR7001-00AH	PA-M12B-05P-FF-SR7001-00AH	PA-M12D-04P-FF-SR7001-00AH
—	—	—	—	—	—

零件图 Component part drawing



M12 x 1 针式现场组装插头，屏蔽，焊接式，直头。

M12 x 1 Male Field Assembly Plug, Shielded, Soldering Connection, Straight.

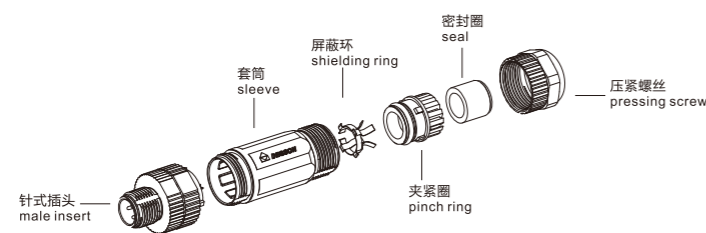


技术数据 Technical Data

标准 Standard	IEC 61076	端子载体材料 Contact carriers material	PA
系列 Series	M12, Male	端子材料 Contact material	Copper Alloy, Gold-plated
Pin针数量 Number of Pins	03,04,05,06,08,10,12Pin	金属螺母 Metal of nut	Zinc Alloy with Nickel Plated
额定电流 Rated Current	4A max.	胶圈 Seal	Silicone
额定电压 Rated voltage	250V max.	屏蔽 Shielding	Shielded
绝缘电阻 Insulation resistance	≥100MΩ	机械寿命 Mechanical life	> 100 mating cycles
接触电阻 Contact resistance	≤5mΩ	—	—
运行温度 Ambient temperature	-25 ~ +105℃	—	—
防护等级 IP Class	IP67	—	—

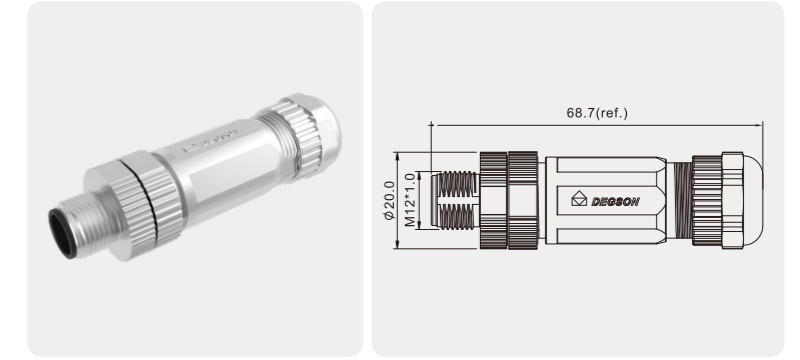
针数 Number of Pins		03 Pin	04 Pin	05 Pin	06 Pin	08 Pin
编码 Coding	编码 Coded	A-Coded	A-Coded	A-Coded	A-Coded	A-Coded
	正面图 Front View					
额定电流 Rated current	A.	4A	4A	4A	2A	2A
额定电压 Rated voltage	V.	250V	250V	60V	30V	30V
电线电缆 Wire/Cable	线规 Wire gauge	22AWG	22AWG	22AWG	24AWG	24AWG
	横截面 Cross section	0.34mm ²	0.34mm ²	0.34mm ²	0.25mm ²	0.25mm ²
描述 Description	订单号 Order NO.	订单号 Order NO.	订单号 Order NO.	订单号 Order NO.	订单号 Order NO.	订单号 Order NO.
线径范围: 6.0-7.5mm Cable Od: 6.0-7.5mm	PASH-M12A-03P-MM-SL7001-00AH	PASH-M12A-04P-MM-SL7001-00AH	PASH-M12A-05P-MM-SL7001-00AH	PASH-M12A-06P-MM-SL7001-00AH	PASH-M12A-08P-MM-SL7001-00AH	
线径范围: 6.0-7.5mm Cable Od: 6.0-7.5mm	PASH-M12A-03P-MM-SL7002-00AH	PASH-M12A-04P-MM-SL7002-00AH	PASH-M12A-05P-MM-SL7002-00AH	PASH-M12A-06P-MM-SL7002-00AH	PASH-M12A-08P-MM-SL7002-00AH	

零件图 Component part drawing



M12 x 1 针式现场组装插头，屏蔽，焊接式，直头。

M12 x 1 Male Field Assembly Plug, Shielded, Soldering Connection, Straight.

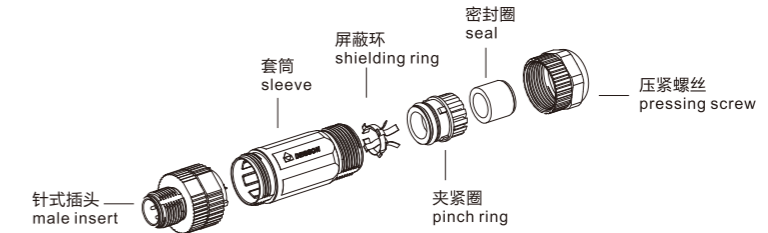


技术数据 Technical Data

标准 Standard	IEC 61076	端子载体材料 Contact carriers material	PA
系列 Series	M12, Male	端子材料 Contact material	Copper Alloy, Gold-plated
Pin针数量 Number of Pins	03,04,05,06,08,10,12Pin	金属螺母 Metal of nut	Zinc Alloy with Nickel Plated
额定电流 Rated Current	4A max.	胶圈 Seal	Silicone
额定电压 Rated voltage	250V max.	屏蔽 Shielding	Shielded
绝缘电阻 Insulation resistance	≥100MΩ	机械寿命 Mechanical life	> 100 mating cycles
接触电阻 Contact resistance	≤5mΩ	—	—
运行温度 Ambient temperature	-25 ~ +105℃	—	—
防护等级 IP Class	IP67	—	—

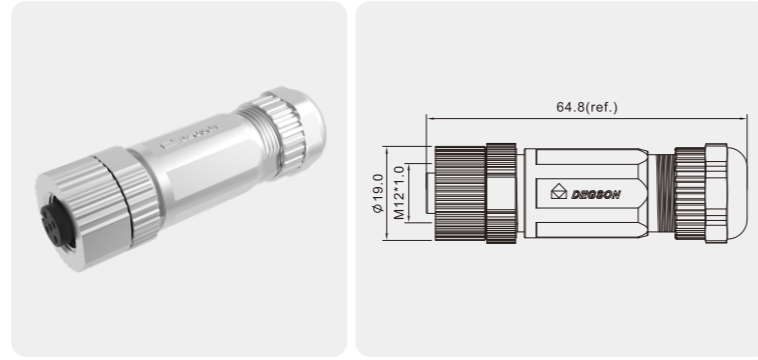
针数 Number of Pins		10 Pin	12 Pin	05 Pin	04 Pin
编码 Coding	编码 Coded	A-Coded	A-Coded	B-Coded	D-Coded
	正面图 Front View				
额定电流 Rated current	A.	1.5A	1.5A	4A	4A
额定电压 Rated voltage	V.	30V	30V	60V	250V
电线电缆 Wire/Cable	线规 Wire gauge	26AWG	26AWG	22AWG	22AWG
	横截面 Cross section	0.14mm ²	0.14mm ²	0.34mm ²	0.34mm ²
描述 Description	订单号 Order NO.	订单号 Order NO.	订单号 Order NO.	订单号 Order NO.	订单号 Order NO.
线径范围: 6.0-7.5mm Cable Od: 6.0-7.5mm	PASH-M12A-10P-MM-SL7001-00AH	PASH-M12A-12P-MM-SL7001-00AH	PASH-M12B-05P-MM-SL7001-00AH	PASH-M12D-04P-MM-SL7001-00AH	
线径范围: 6.0-7.5mm Cable Od: 6.0-7.5mm	PASH-M12A-10P-MM-SL7002-00AH	PASH-M12A-12P-MM-SL7002-00AH	PASH-M12B-05P-MM-SL7002-00AH	PASH-M12D-04P-MM-SL7002-00AH	

零件图 Component part drawing



M12 x 1 孔式现场组装插头，屏蔽，焊接式，直头。

M12 x 1 Female Field Assembly Plug, Shielded, Soldering Connection, Straight.

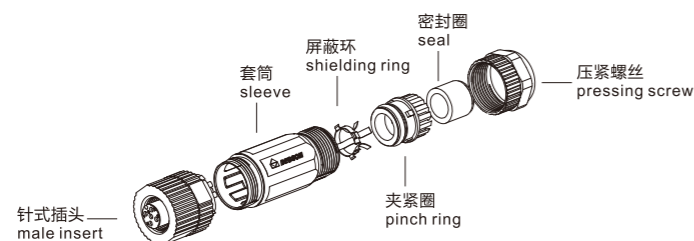


技术数据 Technical Data

标准 Standard	IEC 61076	端子载体材料 Contact carriers material	PA
系列 Series	M12, Female	端子材料 Contact material	Copper Alloy, Gold-plated
Pin针数量 Number of Pins	03,04,05,06,08,10,12Pin	金属螺母 Metal of nut	Zinc Alloy with Nickel Plated
额定电流 Rated Current	4A max.	胶圈 Seal	Silicone
额定电压 Rated voltage	250V max.	屏蔽 Shielding	Shielded
绝缘电阻 Insulation resistance	≥100MΩ	机械寿命 Mechanical life	> 100 mating cycles
接触电阻 Contact resistance	≤5mΩ	—	—
运行温度 Ambient temperature	-25 ~ +105℃	—	—
防护等级 IP Class	IP67	—	—

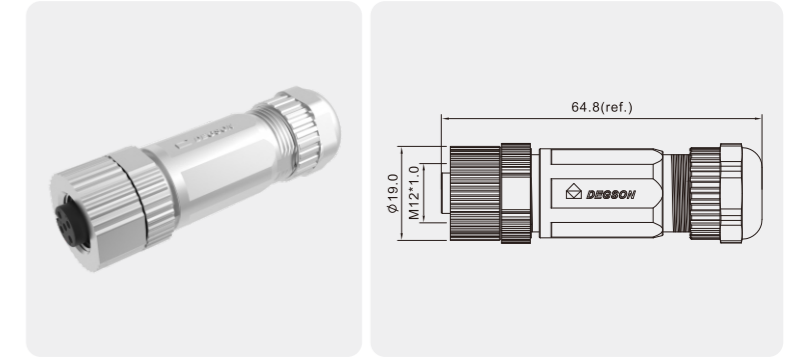
针数 Number of Pins		03 Pin	04 Pin	05 Pin	06 Pin	08 Pin
编码 Coding	编码 Coded	A-Coded	A-Coded	A-Coded	A-Coded	A-Coded
	正面图 Front View					
额定电流 Rated current	A.	4A	4A	4A	2A	2A
额定电压 Rated voltage	V.	250V	250V	60V	30V	30V
电线电缆 Wire/Cable	线规 Wire gauge	22AWG	22AWG	22AWG	24AWG	24AWG
	横截面 Cross section	0.34mm ²	0.34mm ²	0.34mm ²	0.25mm ²	0.25mm ²
描述 Description	订单号 Order NO.	订单号 Order NO.	订单号 Order NO.	订单号 Order NO.	订单号 Order NO.	订单号 Order NO.
线径范围：6.0-7.5mm Cable Od：6.0-7.5mm	PASH-M12A-03P-FF-SL7001-00AH	PASH-M12A-04P-FF-SL7001-00AH	PASH-M12A-05P-FF-SL7001-00AH	PASH-M12A-06P-FF-SL7001-00AH	PASH-M12A-08P-FF-SL7001-00AH	
线径范围：6.0-7.5mm Cable Od：6.0-7.5mm	PASH-M12A-03P-FF-SL7002-00AH	PASH-M12A-04P-FF-SL7002-00AH	PASH-M12A-05P-FF-SL7002-00AH	PASH-M12A-06P-FF-SL7002-00AH	PASH-M12A-08P-FF-SL7002-00AH	

零件图 Component part drawing



M12 x 1 孔式现场组装插头，屏蔽，焊接式，直头。

M12 x 1 Female Field Assembly Plug, Shielded, Soldering Connection, Straight.

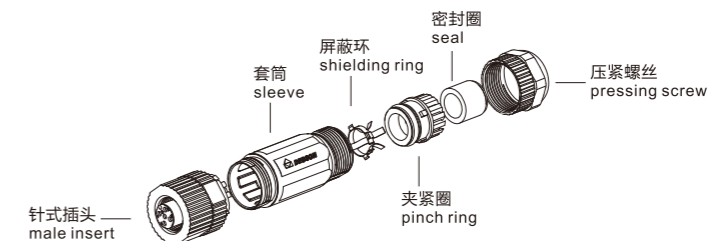


技术数据 Technical Data

标准 Standard	IEC 61076	端子载体材料 Contact carriers material	PA
系列 Series	M12, Female	端子材料 Contact material	Copper Alloy, Gold-plated
Pin针数量 Number of Pins	03,04,05,06,08,10,12Pin	金属螺母 Metal of nut	Zinc Alloy with Nickel Plated
额定电流 Rated Current	4A max.	胶圈 Seal	Silicone
额定电压 Rated voltage	250V max.	屏蔽 Shielding	Shielded
绝缘电阻 Insulation resistance	≥100MΩ	机械寿命 Mechanical life	> 100 mating cycles
接触电阻 Contact resistance	≤5mΩ	—	—
运行温度 Ambient temperature	-25 ~ +105℃	—	—
防护等级 IP Class	IP67	—	—

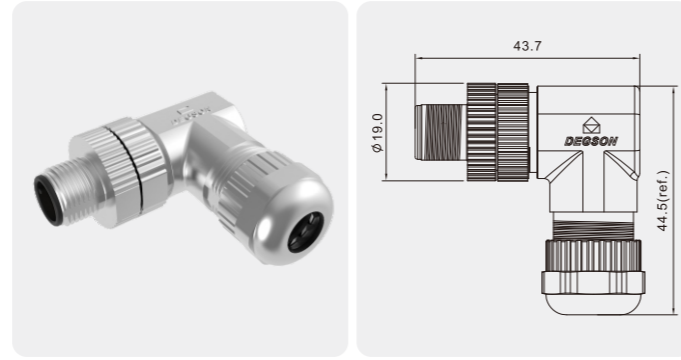
针数 Number of Pins		10 Pin	12 Pin	05 Pin	04 Pin
编码 Coding	编码 Coded	A-Coded	A-Coded	B-Coded	D-Coded
	正面图 Front View				
额定电流 Rated current	A.	1.5A	1.5A	4A	4A
额定电压 Rated voltage	V.	30V	30V	60V	250V
电线电缆 Wire/Cable	线规 Wire gauge	26AWG	26AWG	22AWG	22AWG
	横截面 Cross section	0.14mm ²	0.14mm ²	0.34mm ²	0.34mm ²
描述 Description	订单号 Order NO.	订单号 Order NO.	订单号 Order NO.	订单号 Order NO.	订单号 Order NO.
线径范围：6.0-7.5mm Cable Od：6.0-7.5mm	PASH-M12A-10P-FF-SL7001-00AH	PASH-M12A-12P-FF-SL7001-00AH	PASH-M12B-05P-FF-SL7001-00AH	PASH-M12D-04P-FF-SL7001-00AH	
线径范围：6.0-7.5mm Cable Od：6.0-7.5mm	PASH-M12A-10P-FF-SL7002-00AH	PASH-M12A-12P-FF-SL7002-00AH	PASH-M12B-05P-FF-SL7002-00AH	PASH-M12D-04P-FF-SL7002-00AH	

零件图 Component part drawing



M12 x 1 针式现场组装插头，屏蔽，焊接式，直头。

M12 x 1 Male Field Assembly Plug, Shielded, Soldering Connection, Straight.

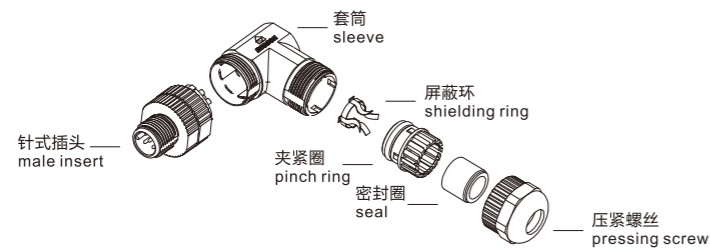


技术数据 Technical Data

标准 Standard	IEC 61076	端子载体材料 Contact carriers material	PA
系列 Series	M12, Male	端子材料 Contact material	Copper Alloy, Gold-plated
Pin针数量 Number of Pins	03,04,05,06,08,10,12Pin	金属螺母 Metal of nut	Zinc Alloy with Nickel Plated
额定电流 Rated Current	4A max.	胶圈 Seal	Silicone
额定电压 Rated voltage	250V max.	屏蔽 Shielding	Shielded
绝缘电阻 Insulation resistance	≥100MΩ	机械寿命 Mechanical life	> 100 mating cycles
接触电阻 Contact resistance	≤5mΩ	—	—
运行温度 Ambient temperature	-25 ~ +105℃	—	—
防护等级 IP Class	IP67	—	—

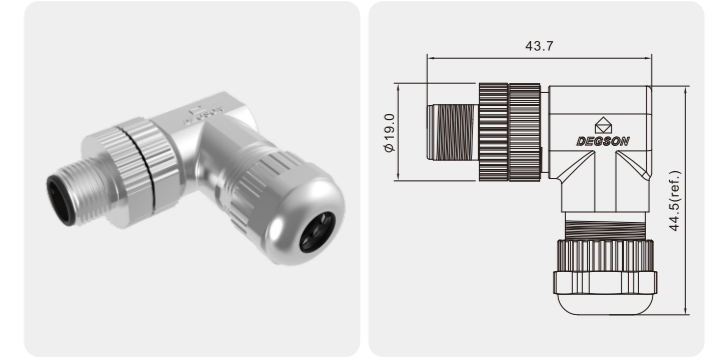
针数 Number of Pins		03 Pin	04 Pin	05 Pin	06 Pin	08 Pin
编码 Coding	编码 Coded	A-Coded	A-Coded	A-Coded	A-Coded	A-Coded
	正面图 Front View					
额定电流 Rated current	A.	4A	4A	4A	2A	2A
额定电压 Rated voltage	V.	250V	250V	60V	30V	30V
电线电缆 Wire/Cable	线规 Wire gauge	22AWG	22AWG	22AWG	24AWG	24AWG
	横截面 Cross section	0.34mm ²	0.34mm ²	0.34mm ²	0.25mm ²	0.25mm ²
描述 Description	订单号 Order NO.	订单号 Order NO.	订单号 Order NO.	订单号 Order NO.	订单号 Order NO.	订单号 Order NO.
线径范围: 6.0-7.5mm Cable Od: 6.0-7.5mm	PASH-M12A-03P-MM-SR7001-00AH	PASH-M12A-04P-MM-SR7001-00AH	PASH-M12A-05P-MM-SR7001-00AH	PASH-M12A-06P-MM-SR7001-00AH	PASH-M12A-08P-MM-SR7001-00AH	
线径范围: 6.0-7.5mm Cable Od: 6.0-7.5mm	PASH-M12A-03P-MM-SR7002-00AH	PASH-M12A-04P-MM-SR7002-00AH	PASH-M12A-05P-MM-SR7002-00AH	PASH-M12A-06P-MM-SR7002-00AH	PASH-M12A-08P-MM-SR7002-00AH	

零件图 Component part drawing



M12 x 1 针式现场组装插头，屏蔽，焊接式，直头。

M12 x 1 Male Field Assembly Plug, Shielded, Soldering Connection, Straight.

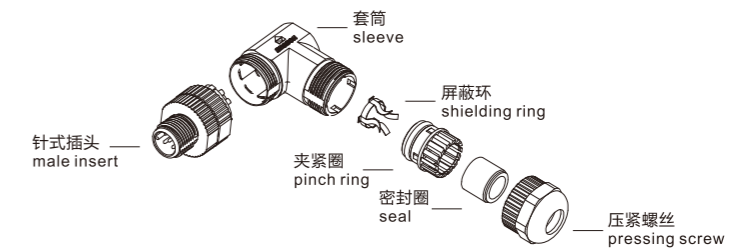


技术数据 Technical Data

标准 Standard	IEC 61076	端子载体材料 Contact carriers material	PA
系列 Series	M12, Male	端子材料 Contact material	Copper Alloy, Gold-plated
Pin针数量 Number of Pins	03,04,05,06,08,10,12Pin	金属螺母 Metal of nut	Zinc Alloy with Nickel Plated
额定电流 Rated Current	4A max.	胶圈 Seal	Silicone
额定电压 Rated voltage	250V max.	屏蔽 Shielding	Shielded
绝缘电阻 Insulation resistance	≥100MΩ	机械寿命 Mechanical life	> 100 mating cycles
接触电阻 Contact resistance	≤5mΩ	—	—
运行温度 Ambient temperature	-25 ~ +105℃	—	—
防护等级 IP Class	IP67	—	—

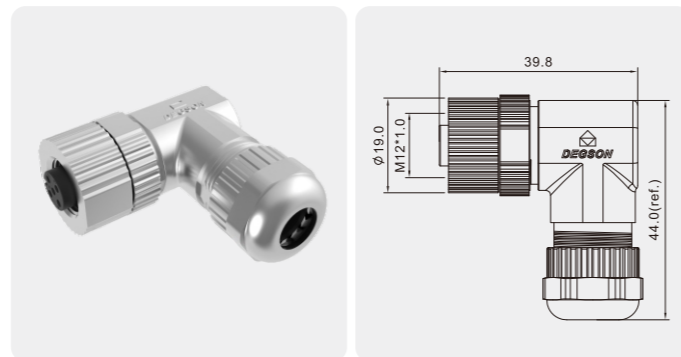
针数 Number of Pins		10 Pin	12 Pin	05 Pin	04 Pin
编码 Coding	编码 Coded	A-Coded	A-Coded	B-Coded	D-Coded
	正面图 Front View				
额定电流 Rated current	A.	1.5A	1.5A	4A	4A
额定电压 Rated voltage	V.	30V	30V	60V	250V
电线电缆 Wire/Cable	线规 Wire gauge	26AWG	26AWG	22AWG	22AWG
	横截面 Cross section	0.14mm ²	0.14mm ²	0.34mm ²	0.34mm ²
描述 Description	订单号 Order NO.	订单号 Order NO.	订单号 Order NO.	订单号 Order NO.	订单号 Order NO.
线径范围: 6.0-7.5mm Cable Od: 6.0-7.5mm	PASH-M12A-10P-MM-SR7001-00AH	PASH-M12A-12P-MM-SR7001-00AH	PASH-M12B-05P-MM-SR7001-00AH	PASH-M12D-04P-MM-SR7001-00AH	
线径范围: 6.0-7.5mm Cable Od: 6.0-7.5mm	PASH-M12A-10P-MM-SR7002-00AH	PASH-M12A-12P-MM-SR7002-00AH	PASH-M12B-05P-MM-SR7002-00AH	PASH-M12D-04P-MM-SR7002-00AH	

零件图 Component part drawing



M12 x 1 孔式现场组装插头，屏蔽，焊接式，直头。

M12 x 1 Female Field Assembly Plug, Shielded, Soldering Connection, Straight.

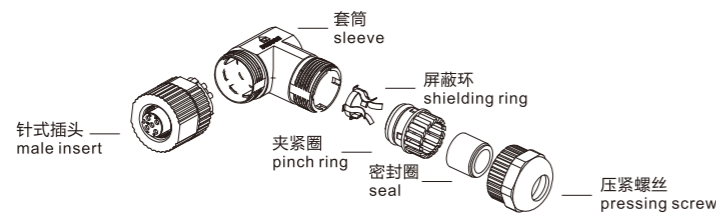


技术数据 Technical Data

标准 Standard	IEC 61076	端子载体材料 Contact carriers material	PA
系列 Series	M12, Female	端子材料 Contact material	Copper Alloy, Gold-plated
Pin针数量 Number of Pins	03,04,05,06,08,10,12Pin	金属螺母 Metal of nut	Zinc Alloy with Nickel Plated
额定电流 Rated Current	4A max.	胶圈 Seal	Silicone
额定电压 Rated voltage	250V max.	屏蔽 Shielding	Shielded
绝缘电阻 Insulation resistance	≥100MΩ	机械寿命 Mechanical life	> 100 mating cycles
接触电阻 Contact resistance	≤5mΩ	—	—
运行温度 Ambient temperature	-25 ~ +105℃	—	—
防护等级 IP Class	IP67	—	—

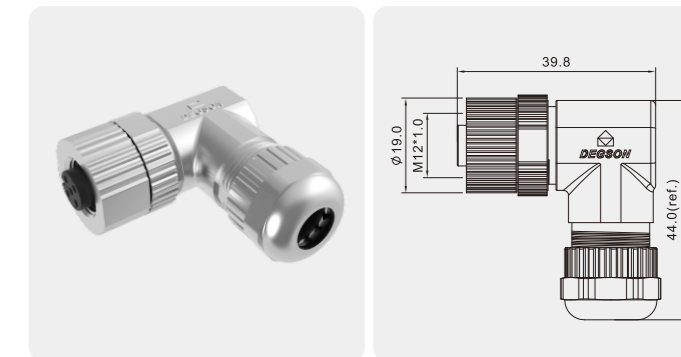
针数 Number of Pins		03 Pin	04 Pin	05 Pin	06 Pin	08 Pin
编码 Coding	编码 Coded	A-Coded	A-Coded	A-Coded	A-Coded	A-Coded
	正面图 Front View					
额定电流 Rated current	A.	4A	4A	4A	2A	2A
额定电压 Rated voltage	V.	250V	250V	60V	30V	30V
电线电缆 Wire/Cable	线规 Wire gauge	22AWG	22AWG	22AWG	24AWG	24AWG
	横截面 Cross section	0.34mm ²	0.34mm ²	0.34mm ²	0.25mm ²	0.25mm ²
描述 Description	订单号 Order NO.	订单号 Order NO.	订单号 Order NO.	订单号 Order NO.	订单号 Order NO.	订单号 Order NO.
线径范围: 6.0-7.5mm Cable Od: 6.0-7.5mm	PASH-M12A-03P-FF-SR7001-00AH	PASH-M12A-04P-FF-SR7001-00AH	PASH-M12A-05P-FF-SR7001-00AH	PASH-M12A-06P-FF-SR7001-00AH	PASH-M12A-08P-FF-SR7001-00AH	
线径范围: 6.0-7.5mm Cable Od: 6.0-7.5mm	PASH-M12A-03P-FF-SR7002-00AH	PASH-M12A-04P-FF-SR7002-00AH	PASH-M12A-05P-FF-SR7002-00AH	PASH-M12A-06P-FF-SR7002-00AH	PASH-M12A-08P-FF-SR7002-00AH	

零件图 Component part drawing



M12 x 1 孔式现场组装插头，屏蔽，焊接式，直头。

M12 x 1 Female Field Assembly Plug, Shielded, Soldering Connection, Straight.

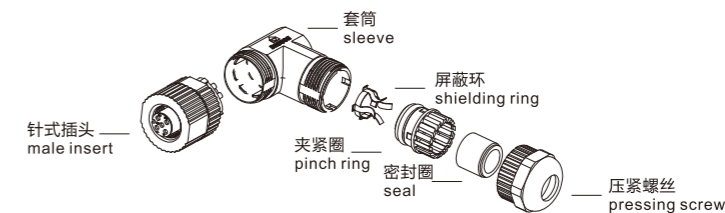


技术数据 Technical Data

标准 Standard	IEC 61076	端子载体材料 Contact carriers material	PA
系列 Series	M12, Female	端子材料 Contact material	Copper Alloy, Gold-plated
Pin针数量 Number of Pins	03,04,05,06,08,10,12Pin	金属螺母 Metal of nut	Zinc Alloy with Nickel Plated
额定电流 Rated Current	4A max.	胶圈 Seal	Silicone
额定电压 Rated voltage	250V max.	屏蔽 Shielding	Shielded
绝缘电阻 Insulation resistance	≥100MΩ	机械寿命 Mechanical life	> 100 mating cycles
接触电阻 Contact resistance	≤5mΩ	—	—
运行温度 Ambient temperature	-25 ~ +105℃	—	—
防护等级 IP Class	IP67	—	—

针数 Number of Pins		10 Pin	12 Pin	05 Pin	04 Pin
编码 Coding	编码 Coded	A-Coded	A-Coded	B-Coded	D-Coded
	正面图 Front View				
额定电流 Rated current	A.	1.5A	1.5A	4A	4A
额定电压 Rated voltage	V.	30V	30V	60V	250V
电线电缆 Wire/Cable	线规 Wire gauge	26AWG	26AWG	22AWG	22AWG
	横截面 Cross section	0.14mm ²	0.14mm ²	0.34mm ²	0.34mm ²
描述 Description	订单号 Order NO.	订单号 Order NO.	订单号 Order NO.	订单号 Order NO.	订单号 Order NO.
线径范围: 6.0-7.5mm Cable Od: 6.0-7.5mm	PASH-M12A-10P-FF-SR7001-00AH	PASH-M12A-12P-FF-SR7001-00AH	PASH-M12B-05P-FF-SR7001-00AH	PASH-M12D-04P-FF-SR7001-00AH	
线径范围: 6.0-7.5mm Cable Od: 6.0-7.5mm	PASH-M12A-10P-FF-SR7002-00AH	PASH-M12A-12P-FF-SR7002-00AH	PASH-M12B-05P-FF-SR7002-00AH	PASH-M12D-04P-FF-SR7002-00AH	

零件图 Component part drawing





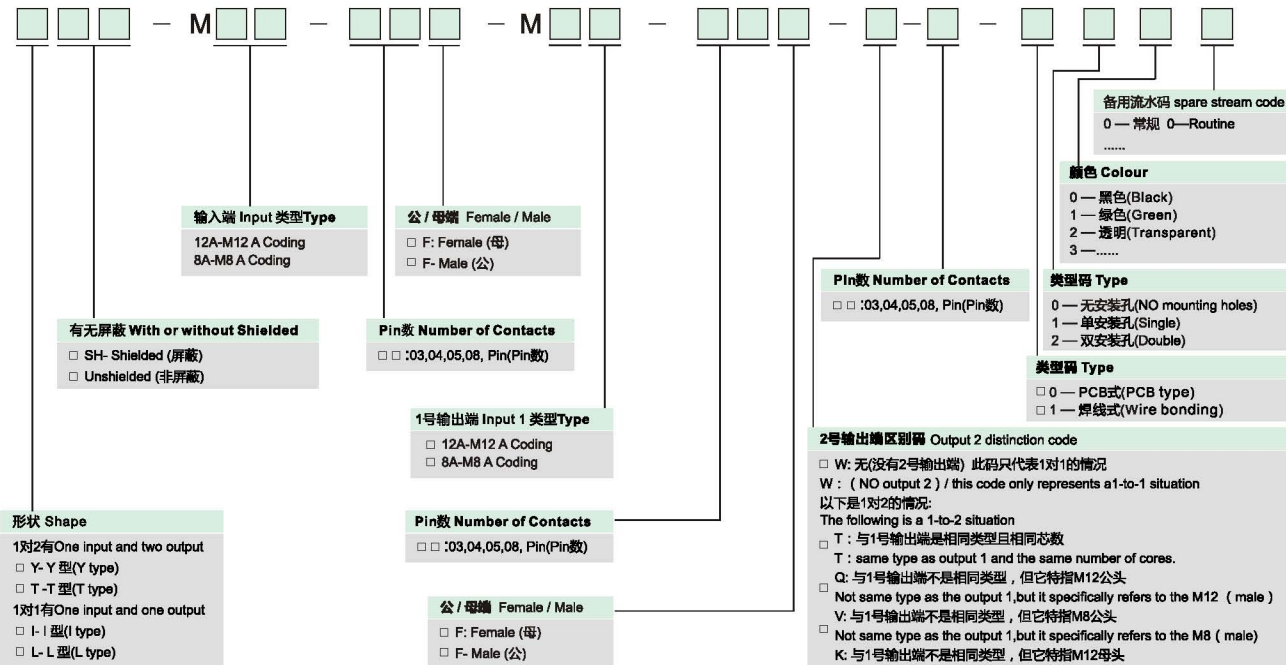
优势/特点

- 单线输入，多线输出。
- 节约成本，安装便捷。
- 防水等级：IP67/684。
- 广泛应用于工业自动化，轨道交通等行业。

Advantages / Features

- Single-line input, multi-line output.
- Cost saving, easy installation.
- Waterproof rating: IP67/684.
- Widely used in industrial automation, rail transit and other industries.

M12, M8分配器产品编码规则 The coding rule of M12, M, 18 distributor



例如：

1. FY-M12A-05M-M12A-05F-Q4-0100 表示：非屏蔽Y型分配器，输入端为：M12A-05M，1号输出端为：M12A-05F，2号输出端则是：M12A-04M 01AH：内部连接方式为：PCB式，有一个安装孔。颜色：黑色。
常规的2：FY-M12A-04M-M8A-04F-T-1000 表示：非屏蔽Y型分配器，输入端为：M12A-04M，1号输出端为：M8A-04F，2号输出端则是：M8A-04F 10AH：内部连接方式为：焊接式，无安装孔，颜色：黑色。
- FT-M8A-04M-M8A-03F-S4-0110(常规) 表示：非屏蔽T型分配器，输入端为：M8A-04M，1号输出端为：M8A-03F，2号输出端则是：M8A-04F 01BH：内部连接方式为：PCB式，单安装孔，颜色：绿色。

For example:

1. FY-M12A-05M-M12A-05F-Q4-0100
Detail: unshielded Y-type distributor, input is M12A-05M Input 1 is M12A-05F, input 2 is M12A-04M
01AH: Internal connection: PCB type, with a mounting hole Color: black
Regular2: FY-M12A-04M-M8A-04F-T-1000
Detail: unshielded Y-type distributor, input is M12A-04M Output 1 is M8A-04F, output 2 is M8A-04F
10AH: Internal connection: wire bonding, no mounting holes Color: black
Regular3: FT-M8A-04M-M8A-03F-S4-0110
Detail: unshielded T-type distributor input is M8A-04M Input 1 is M8A-03F, input 2 is M8A-04F
01BH: Internal connection: PCB type, single mounting hole Color: green.

M12 T型分配器，M12 A编码 母头X1，
M12 A编码 公头/母头X1。

M12 T-type distributor, M12 A code Female X1
M12 A code Male/Female X1.

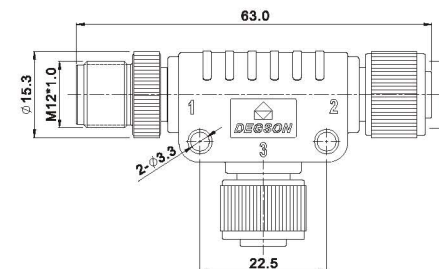


技术数据 Technical Data

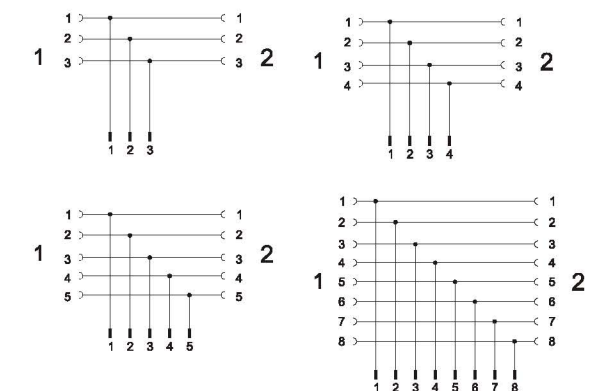
标准 Standard	IEC 61076	端子载体材料 Contact carriers material	PU
系列 Series	M12	端子材料 Contact material	Copper Alloy, Gold-plated
Pin针数量 Number of Pins	03,04,05,08 Pin	金属螺母 Metal of nut	Zinc Alloy with Nickel Plated
额定电流 Rated Current	4A max.	胶圈 Seal	Silicone
额定电压 Rated voltage	250V max.	屏蔽 Shielding	Unshielded
绝缘电阻 Insulation resistance	≥100MΩ	机械寿命 Mechanical life	> 100 mating cycles
接触电阻 Contact resistance	≤5mΩ		
运行温度 Ambient temperature	-25 ~ +80℃		
防护等级 IP Class	IP68		

针数 Number of Pins		03 Pin	04 Pin	05 Pin	08 Pin
编码 Coding	编码 Coded	A-Coded	A-Coded	A-Coded	A-Coded
	正面图 Front View				
额定电流 Rated current	A.	4A	4A	2A	
额定电压 Rated voltage	V.	250V	60V	30V	
描述 Description		订单号 Order NO.	订单号 Order NO.	订单号 Order NO.	
		FT-M12A-03F-M12A-03M-K5-0200	FT-M12A-04F-M12A-04M-K5-0200	FT-M12A-05F-M12A-05M-K5-0200	FT-M12A-08F-M12A-08M-K8-0200

外形尺寸 Size



电路图 Circuit schematic



M12 T型分配器, M12 A编码 公头X1,
M12 A编码 母头X2

M12 T-type distributor, M12 A code MaleX1,
M12 A code FemaleX2.

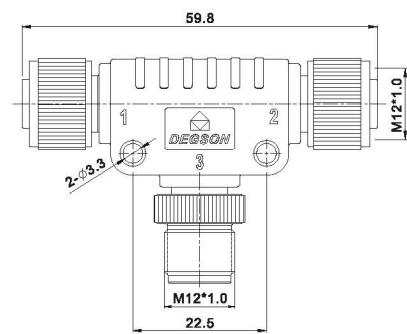


技术数据 Technical Data

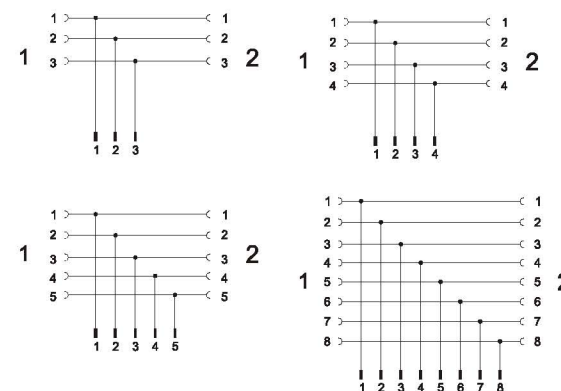
标准 Standard	IEC 61076	端子载体材料 Contact carriers material	PU
系列 Series	M12, Male	端子材料 Contact material	Copper Alloy, Gold-plated
Pin针数量 Number of Pins	03,04,05,08 Pin	金属螺母 Metal of nut	Zinc Alloy with Nickel Plated
额定电流 Rated Current	4A max.	胶圈 Seal	Silicone
额定电压 Rated voltage	250V max.	屏蔽 Shielding	Unshielded
绝缘电阻 Insulation resistance	≥100MΩ	机械寿命 Mechanical life	> 100 mating cycles
接触电阻 Contact resistance	≤5mΩ	—	—
运行温度 Ambient temperature	-25 ~ +80℃	—	—
防护等级 IP Class	IP68	—	—

针数 Number of Pins		03 Pin	04 Pin	05 Pin	08 Pin
编码 Coding	编码 Coded	A-Coded	A-Coded	A-Coded	A-Coded
	正面图 Front View				
额定电流 Rated current	A.	4A			2A
额定电压 Rated voltage	V.	250V			30V
描述 Description		订单号 Order NO.		订单号 Order NO.	订单号 Order NO.
—		FT-M12A-03M-M12A-03F-Q-0200		FT-M12A-05M-M12A-05F-Q-0200	FT-M12A-08M-M12A-08F-Q-0200

外形尺寸 Size



电路图 Circuit schematic



M12 Y型分配器, M12 A编码 母头X1,
M12 A编码 公头X2

M12 Y-type distributor, M12 A code FemaleX1,
M12 A code MaleX2.

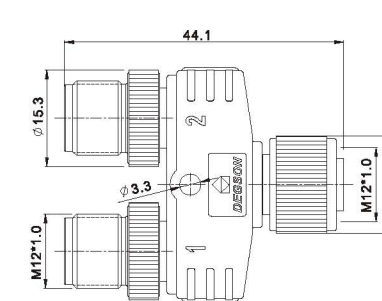


技术数据 Technical Data

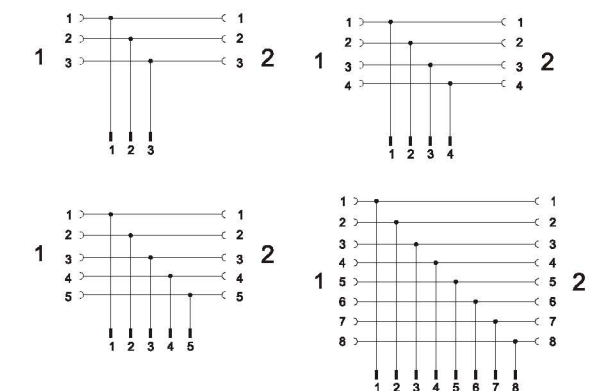
标准 Standard	IEC 61076	端子载体材料 Contact carriers material	PU
系列 Series	M12	端子材料 Contact material	Copper Alloy, Gold-plated
Pin针数量 Number of Pins	03,04,05,08 Pin	金属螺母 Metal of nut	Zinc Alloy with Nickel Plated
额定电流 Rated Current	4A max.	胶圈 Seal	Silicone
额定电压 Rated voltage	250V max.	屏蔽 Shielding	Unshielded
绝缘电阻 Insulation resistance	≥100MΩ	机械寿命 Mechanical life	> 100 mating cycles
接触电阻 Contact resistance	≤5mΩ	—	—
运行温度 Ambient temperature	-25 ~ +80℃	—	—
防护等级 IP Class	IP68	—	—

针数 Number of Pins		03 Pin	04 Pin	05 Pin	08 Pin
编码 Coding	编码 Coded	A-Coded	A-Coded	A-Coded	A-Coded
	正面图 Front View				
额定电流 Rated current	A.	4A		4A	2A
额定电压 Rated voltage	V.	250V		60V	30V
描述 Description		订单号 Order NO.		订单号 Order NO.	订单号 Order NO.
—		FY-M12A-03F-M12A-03M-T-0100		FY-M12A-04F-M12A-04M-T-0100	FY-M12A-08F-M12A-08M-T-0100

外形尺寸 Size



电路图 Circuit schematic



M12 Y型分配器, M12 A编码 公头X1,
M12 A编码 母头X2

M12 Y-type distributor, M12 A code MaleX1
M12 A code FemaleX2.

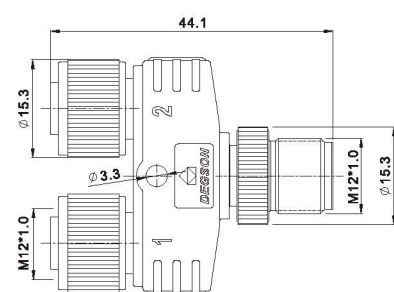


技术数据 Technical Data

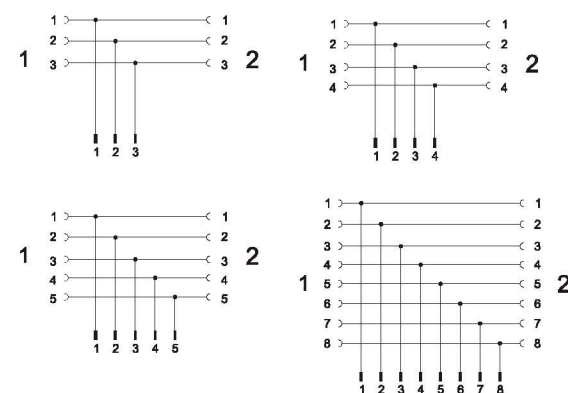
标准 Standard	IEC 61076	端子载体材料 Contact carriers material	PU
系列 Series	M12, Male	端子材料 Contact material	Copper Alloy, Gold-plated
Pin针数量 Number of Pins	03,04,05,08 Pin	金属螺母 Metal of nut	Zinc Alloy with Nickel Plated
额定电流 Rated Current	4A max.	胶圈 Seal	Silicone
额定电压 Rated voltage	250V max.	屏蔽 Shielding	Unshielded
绝缘电阻 Insulation resistance	≥100MΩ	机械寿命 Mechanical life	> 100 mating cycles
接触电阻 Contact resistance	≤5mΩ	—	—
运行温度 Ambient temperature	-25 ~ +80℃	—	—
防护等级 IP Class	IP68	—	—

针数 Number of Pins		03 Pin	04 Pin	05 Pin	08 Pin
编码 Coding	编码 Coded	A-Coded	A-Coded	A-Coded	A-Coded
	正面图 Front View				
额定电流 Rated current	A.	4A		4A	2A
额定电压 Rated voltage	V.	250V		60V	30V
描述 Description	—	订单号 Order NO. FY-M12A-03F-M12A-03M-Q-0100		订单号 Order NO. FY-M12A-05F-M12A-05M-Q-0100	订单号 Order NO. FY-M12A-08F-M12A-08F-Q-0100

外形尺寸 Size



电路图 Circuit schematic



M8 Y型分配器, M8 A编码 公头X1,
M8 A编码 母头X2

M8 Y-type distributor, M8 A code MaleX1
M8 A code FemaleX2.

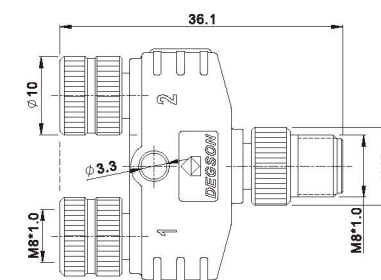


技术数据 Technical Data

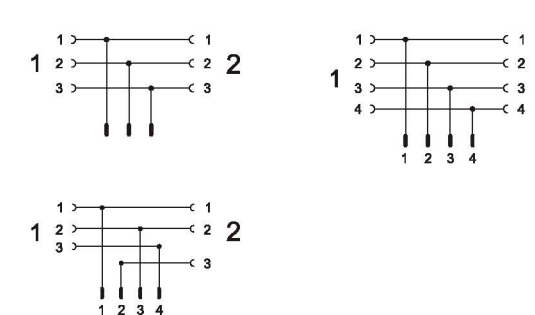
标准 Standard	IEC 61076	端子载体材料 Contact carriers material	PU
系列 Series	M8	端子材料 Contact material	Copper Alloy, Gold-plated
Pin针数量 Number of Pins	03,04 Pin	金属螺母 Metal of nut	Copper Alloy with Nickel Plated
额定电流 Rated Current	3A	胶圈 Seal	Silicone
额定电压 Rated voltage	60V	屏蔽 Shielding	Unshielded
绝缘电阻 Insulation resistance	≥100MΩ	机械寿命 Mechanical life	> 100 mating cycles
接触电阻 Contact resistance	≤5mΩ	—	—
运行温度 Ambient temperature	-25 ~ +80℃	—	—
防护等级 IP Class	IP68	—	—

针数 Number of Pins		03 Pin	04 Pin	03, 04 Pin
编码 Coding	编码 Coded	A-Coded	A-Coded	A-Coded
	正面图 Front View			
额定电流 Rated current	A.	3A	3A	3A
额定电压 Rated voltage	V.	60V	60V	60V
描述 Description	—	订单号 Order NO. FY-M8A-03M-M8A-03F-T-0100	订单号 Order NO. FY-M8A-04M-M8A-04F-T-0100	订单号 Order NO. FY-M8A-04M-M8A-03F-T-0100

外形尺寸 Size



电路图 Circuit schematic





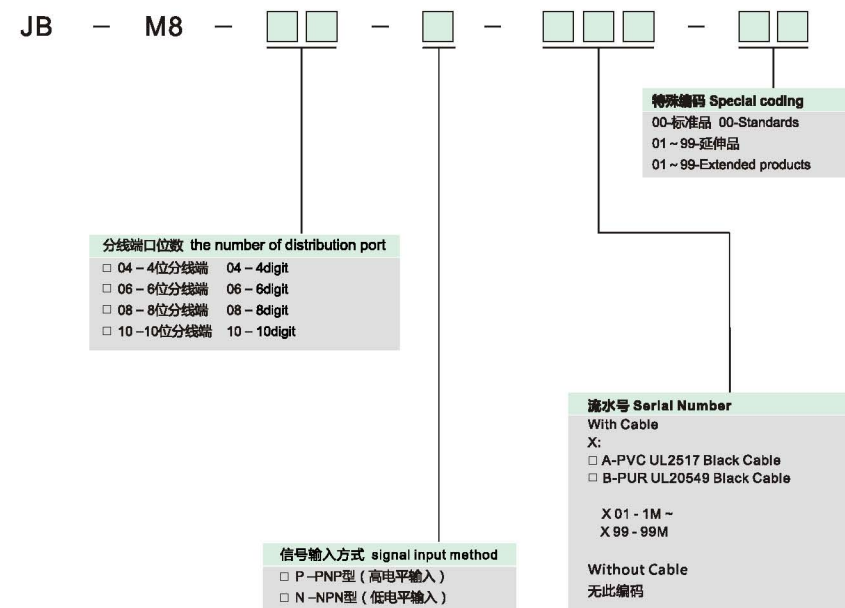
优势/特点

- 分线盒有较高的防护等级。
- 灵活的将现场分布散乱电子线集成到cable线。
- 接口符合IEC 61076。
- 电源灯为绿色，IO状态灯为黄色。
- 方便查修和维护。

Advantages / Features

- The splitter box has a high IP rating.
- Integrate scattered electronic lines on the site into the cable line.
- Interface conforms to IEC 61076.
- Power light is green, IO status light is yellow.
- Easy to check and maintain.

圆形连接器M8分线盒产品编码规则 The coding rule of M8 connector junction box



例如：

- JB-M8-04-P-00
表示：M8 4位分线盒 带M12标准接口 高电平输入
- JB-M8-10-P-A01-00
表示：M8 10位分线盒 带1米PVC外被线缆 高电平输入

注：M8分线盒所有规格防水默认为IP67

For example:

- JB-M8-04-P-00 expression: M8 4-position junction box with M12 standard interface (high level input).
- JB-M8-10-P-A01-00 expression: M8 10-position junction box with 1 meter pvc external cable(high level input).

M8 junction box all specifications waterproof rating defaults to IP67.

M8分线盒4位，带M12连接器，自带绿色LED和黄色工作指示灯。

M8 junction box 4 digits, with M12 connector, self-contained Green LED and yellow work indicator.



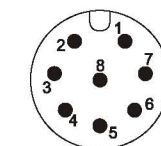
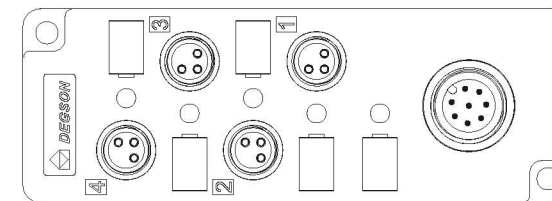
JB-M8-04-P-00



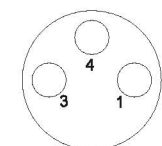
技术数据

性能参数 Performance parameters		材料数据 Material data	
额定电流/电压 Rated Current/Voltage	2A/24VDC	外壳材料 Shell material	PBT
总额定电流 Total constant current	4A	接触材料 Contact material	Copper alloy
防护等级 IP Class	IP67	接触表面 Contact surface	Au
传感器执行接口 Sensor executive interface	M8 Female Acode 3P IEC 61076-2-104	接触件载体 Contact carrier	PA
主电缆接口 Main cable connection	M12 Male Acode 8P IEC 61076-2-101	主电缆接口材料 Main cable connection material	Copper alloy
执行接口拧紧扭矩 Interface tightening torque	0.2Nm(1.77Lb-In)	执行接口材料 Sensor executive interface material	Copper alloy
主电缆接口拧紧扭矩 Main cable interface tightening torque	0.4Nm(3.54Lb-In)	螺纹接口表面材料 Threaded interface surface material	NI
工作环境温度 Ambient Temperature	-25~+80°C	工作环境温度 Ambient Temperature	-25~+80°C

产品图 Product figure

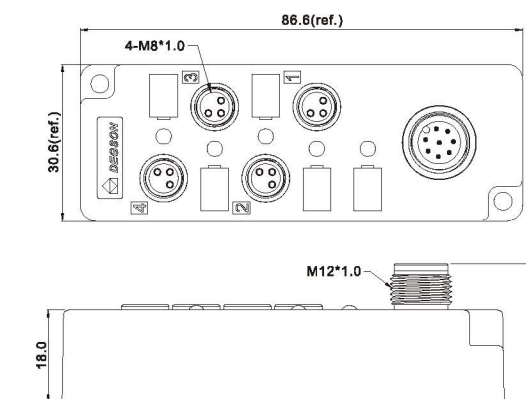


M12 公头A编码 8芯
M12 Male Acode 8P
M12 6,8Pin Blank

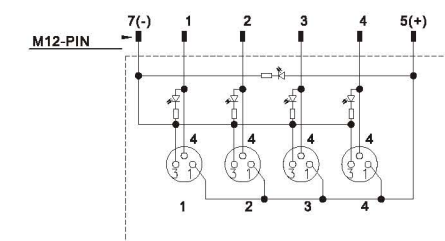


M8 母头A编码 3芯
M8 Female Acode 3P

外形尺寸 Size



电路图 Circuit schematic



1	U _N
3	0 V
4	Signal

M8 母头A编码 3芯
M8 Female Acode 3P

M8 分线盒 4位，预带线缆，自带绿色LED和黄色工作指示灯。

M8 junction box 4 digits, cable is optional, self-contained Green LED and yellow work indicator.



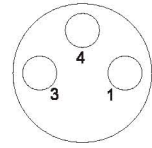
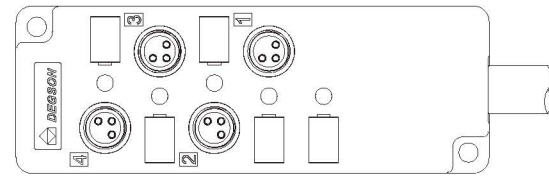
JB-M8-04-P-XXX-00



技术数据 Technical Data

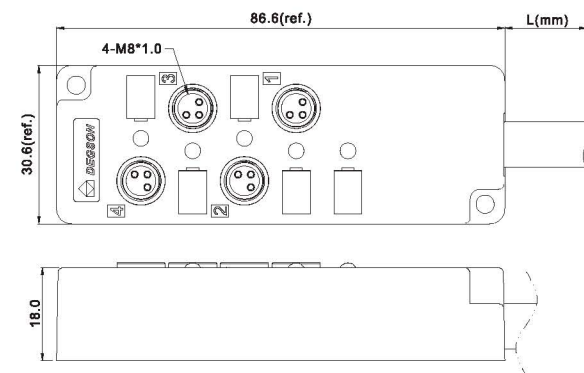
性能参数 Performance parameters		材料数据 Material data	
额定电流/电压 Rated Current/Voltage	2A/24VDC	外壳材料 Shell material	PBT
总额定电流 Total constant current	4A	接触材料 Contact material	Copper alloy
防护等级 IP Class	IP67	接触表面 Contact surface	Au
传感器执行接口 Sensor executive interface	M8 Female Acode 3P IEC 61076-2-104	接触件载体 Contact carrier	PA
主电缆接口 Main cable connection	M12 Male Acode 8P IEC 61076-2-101	主电缆接口材料 Main cable connection material	Copper alloy
执行接口拧紧扭矩 Interface tightening torque	0.2Nm(1.77Lb-In)	执行接口材料 Sensor executive interface material	Copper alloy
主电缆接口拧紧扭矩 Main cable interface tightening torque	0.4Nm(3.54Lb-In)	螺纹接口表面材料 Threaded interface surface material	Ni
工作环境温度 Ambient Temperature	-25~+80°C	工作环境温度 Ambient Temperature	-25~+80°C

产品图 Product figure

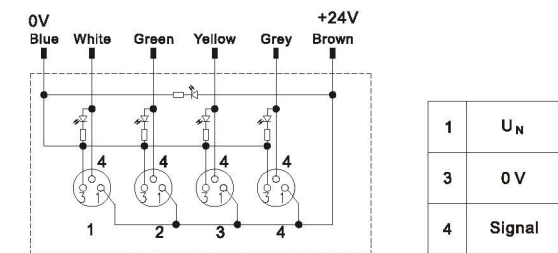


M8 母头A编码 3芯
M8 Female Acode 3P

外形尺寸 Size



电路图 Circuit schematic



M8 母头A编码 3芯
M8 Female Acode 3P

M8 分线盒 6位，带M12连接器，自带绿色LED和黄色工作指示灯。

M8 junction box 6 digits, with M12 connector, self-contained Green LED and yellow work indicator.



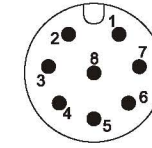
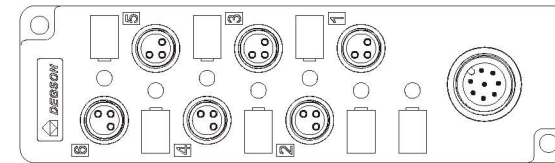
JB-M8-06-P-00



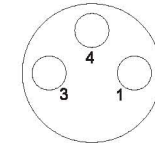
技术数据 Technical Data

性能参数 Performance parameters		材料数据 Material data	
额定电流/电压 Rated Current/Voltage	2A/24VDC	外壳材料 Shell material	PBT
总额定电流 Total constant current	4A	接触材料 Contact material	Copper alloy
防护等级 IP Class	IP67	接触表面 Contact surface	Au
传感器执行接口 Sensor executive interface	M8 Female Acode 3P IEC 61076-2-104	接触件载体 Contact carrier	PA
主电缆接口 Main cable connection	M12 Male Acode 8P IEC 61076-2-101	主电缆接口材料 Main cable connection material	Copper alloy
执行接口拧紧扭矩 Interface tightening torque	0.2Nm(1.77Lb-In)	执行接口材料 Sensor executive interface material	Copper alloy
主电缆接口拧紧扭矩 Main cable interface tightening torque	0.4Nm(3.54Lb-In)	螺纹接口表面材料 Threaded interface surface material	Ni
工作环境温度 Ambient Temperature	-25~+80°C	工作环境温度 Ambient Temperature	-25~+80°C

产品图 Product figure

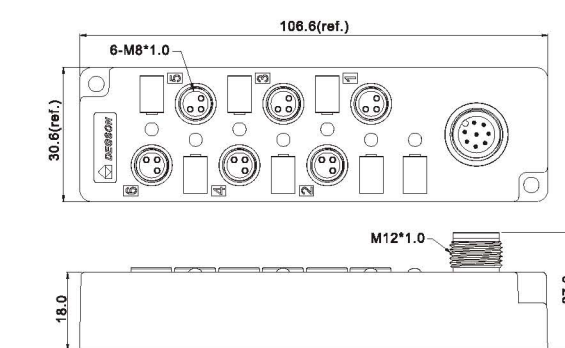


M12 公头A编码 8芯
M12 Male Acode 8P

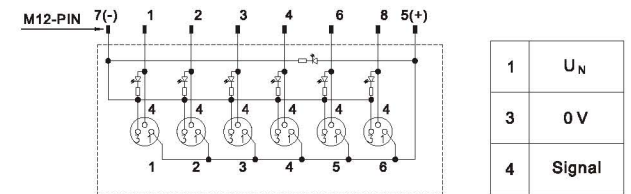


M8 母头A编码 3芯
M8 Female Acode 3P

外形尺寸 Size



电路图 Circuit schematic



M8 母头A编码 3芯
M8 Female Acode 3P

M8 分线盒 6位，预带线缆，自带绿色LED和黄色工作指示灯。

M8 junction box 6 digits, cable is optional, self-contained Green LED and yellow work indicator.



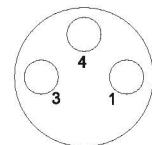
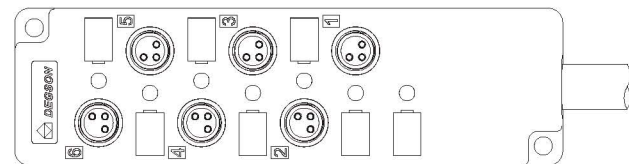
JB-M8-06-P-XXX-00



技术数据 Technical Data

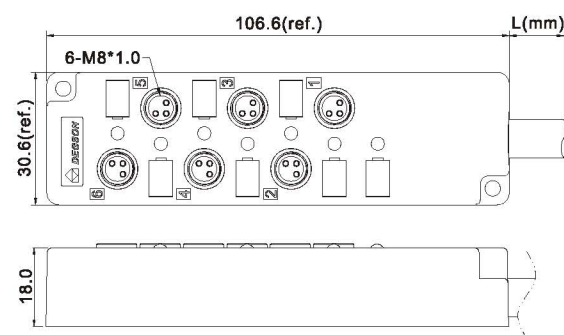
性能参数 Performance parameters		材料数据 Material data	
额定电流/电压 Rated Current/Voltage	2A/24VDC	外壳材料 Shell material	PBT
总额定电流 Total constant current	4A	接触材料 Contact material	Copper alloy
防护等级 IP Class	IP67	接触表面 Contact surface	Au
传感器执行接口 Sensor executive interface	M8 Female Acode 3P IEC 61076-2-104	接触件载体 Contact carrier	PA
主电缆接口 Main cable connection	M12 Male Acode 8P IEC 61076-2-101	主电缆接口材料 Main cable connection material	Copper alloy
执行接口拧紧扭矩 Interface tightening torque	0.2Nm(1.77Lb-In)	执行接口材料 Sensor executive interface material	Copper alloy
主电缆接口拧紧扭矩 Main cable interface tightening torque	0.4Nm(3.54Lb-In)	螺纹接口表面材料 Threaded interface surface material	Ni
工作环境温度 Ambient Temperature	-25~+80°C	工作环境温度 Ambient Temperature	-25~+80°C

产品图 Product figure

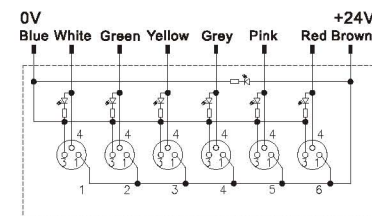


M8 母头A编码 3芯
M8 Female Acode 3P

外形尺寸 Size



电路图 Circuit schematic



1	U _N
3	0 V
4	Signal

M8 母头A编码 3芯
M8 Female Acode 3P

M8 分线盒 8位，带M12连接器，自带绿色LED和黄色工作指示灯。

M8 junction box 8 digits, with M12 connector, self-contained Green LED and yellow work indicator.



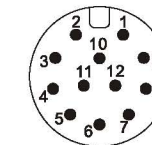
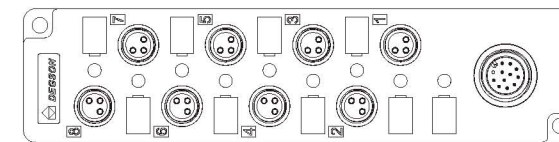
JB-M8-08-P-00



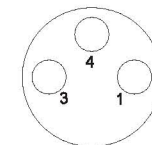
技术数据 Technical Data

性能参数 Performance parameters		材料数据 Material data	
额定电流/电压 Rated Current/Voltage	1.5A/24VDC	外壳材料 Shell material	PBT
总额定电流 Total constant current	1.5A	接触材料 Contact material	Copper alloy
防护等级 IP Class	IP67	接触表面 Contact surface	Au
传感器执行接口 Sensor executive interface	M8 Female Acode 3P IEC 61076-2-104	接触件载体 Contact carrier	PA
主电缆接口 Main cable connection	M12 Male Acode 8P IEC 61076-2-101	主电缆接口材料 Main cable connection material	Copper alloy
执行接口拧紧扭矩 Interface tightening torque	0.2Nm(1.77Lb-In)	执行接口材料 Sensor executive interface material	Copper alloy
主电缆接口拧紧扭矩 Main cable interface tightening torque	0.4Nm(3.54Lb-In)	螺纹接口表面材料 Threaded interface surface material	Ni
工作环境温度 Ambient Temperature	-25~+80°C	工作环境温度 Ambient Temperature	-25~+80°C

产品图 Product figure

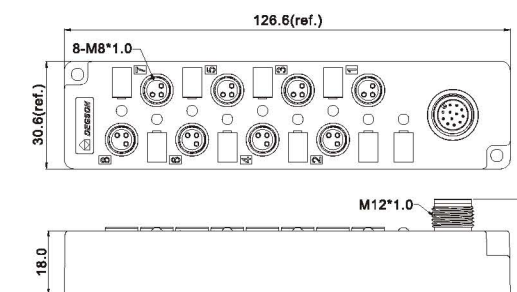


M12 公头A编码 8芯
M12 Male Acode 8P
M12 11,12Pin Blank

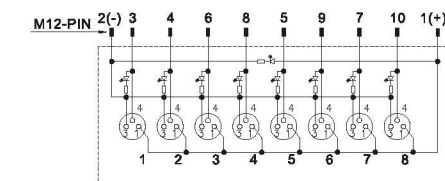


M8 母头A编码 3芯
M8 Female Acode 3P

外形尺寸 Size



电路图 Circuit schematic



1	U _N
3	0 V
4	Signal

M8 母头A编码 3芯
M8 Female Acode 3P

M8 分线盒 8位，预带线缆，自带绿色LED和黄色工作指示灯。

M8 junction box 8 digits, cable is optional, self-contained Green LED and yellow work indicator.



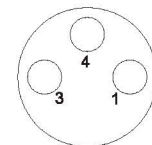
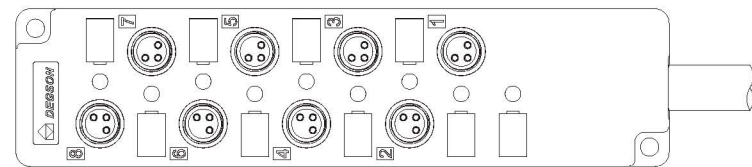
JB-M8-08-P-XXX-00



技术数据 Technical Data

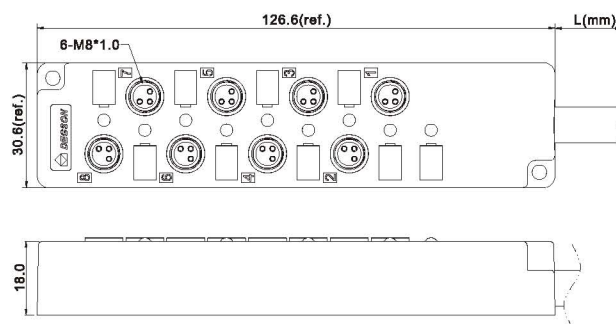
性能参数 Performance parameters		材料数据 Material data	
额定电流/电压 Rated Current/Voltage	2A/24VDC	外壳材料 Shell material	PBT
总额定电流 Total constant current	4A	接触材料 Contact material	Copper alloy
防护等级 IP Class	IP67	接触表面 Contact surface	Au
传感器执行接口 Sensor executive interface	M8 Female Acode 3P IEC 61076-2-104	接触件载体 Contact carrier	PA
主电缆接口 Main cable connection	M12 Male Acode 8P IEC 61076-2-101	主电缆接口材料 Main cable connection material	Copper alloy
执行接口拧紧扭矩 Interface tightening torque	0.2Nm(1.77Lb-In)	执行接口材料 Sensor executive interface material	Copper alloy
主电缆接口拧紧扭矩 Main cable interface tightening torque	0.4Nm(3.54Lb-In)	螺纹接口表面材料 Threaded interface surface material	Ni
工作环境温度 Ambient Temperature	-25~+80°C	工作环境温度 Ambient Temperature	-25~+80°C

产品图 Product figure

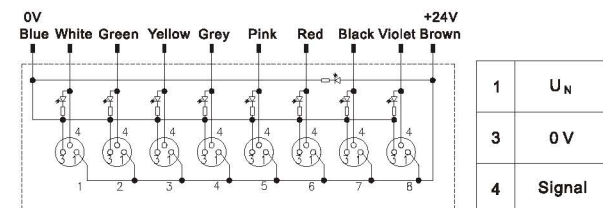


M8 母头A编码 3芯
M8 Female Acode 3P

外形尺寸 Size



电路图 Circuit schematic



M8 母头A编码 3芯
M8 Female Acode 3P

M8 分线盒 10位，带M12连接器，自带绿色LED和黄色工作指示灯。

M8 junction box 10 digits, with M12 connector, self-contained Green LED and yellow work indicator.



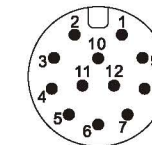
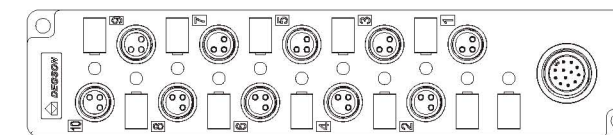
JB-M8-10-P-00



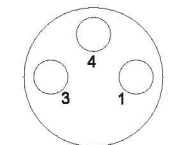
技术数据 Technical Data

性能参数 Performance parameters		材料数据 Material data	
额定电流/电压 Rated Current/Voltage	1.5A/24VDC	外壳材料 Shell material	PBT
总额定电流 Total constant current	1.5A	接触材料 Contact material	Copper alloy
防护等级 IP Class	IP67	接触表面 Contact surface	Au
传感器执行接口 Sensor executive interface	M8 Female Acode 3P IEC 61076-2-104	接触件载体 Contact carrier	PA
主电缆接口 Main cable connection	M12 Male Acode 8P IEC 61076-2-101	主电缆接口材料 Main cable connection material	Copper alloy
执行接口拧紧扭矩 Interface tightening torque	0.2Nm(1.77Lb-In)	执行接口材料 Sensor executive interface material	Copper alloy
主电缆接口拧紧扭矩 Main cable interface tightening torque	0.4Nm(3.54Lb-In)	螺纹接口表面材料 Threaded interface surface material	Ni
工作环境温度 Ambient Temperature	-25~+80°C	工作环境温度 Ambient Temperature	-25~+80°C

产品图 Product figure

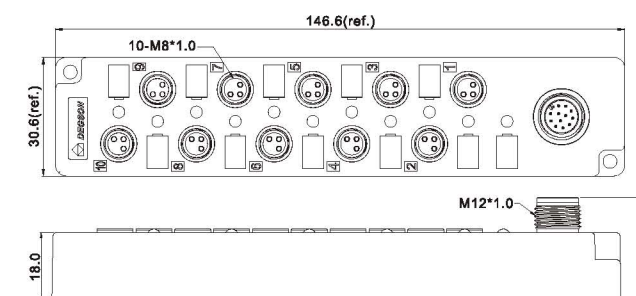


M12 公头A编码 8芯
M12 Male Acode 8P

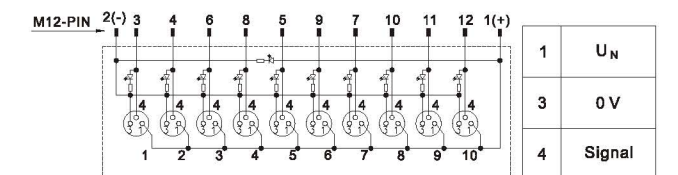


M8 母头A编码 3芯
M8 Female Acode 3P

外形尺寸 Size



电路图 Circuit schematic



M8 母头A编码 3芯
M8 Female Acode 3P

M8 分线盒 10位，预带线缆，自带绿色LED和黄色工作指示灯。

M8 junction box 10 digits, cable is optional, self-contained Green LED and yellow work indicator.



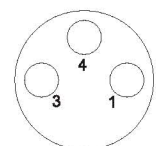
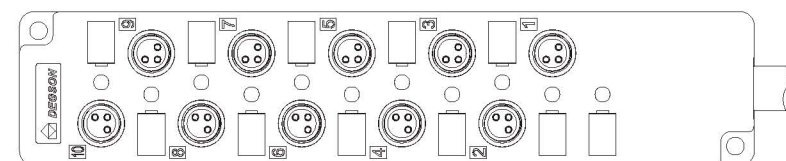
JB-M8-10-P-XXX-00



技术数据 Technical Data

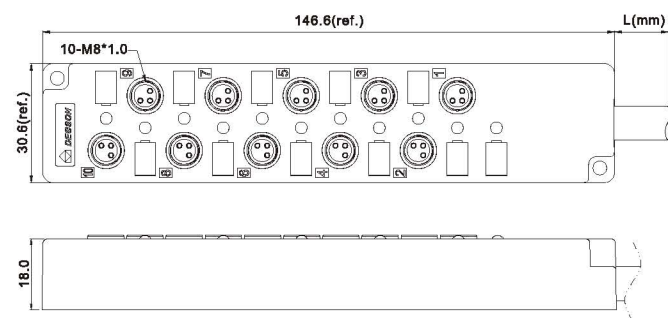
性能参数 Performance parameters		材料数据 Material data	
额定电流/电压 Rated Current/Voltage	1.8A/24VDC	外壳材料 Shell material	PBT
总额定电流 Total constant current	4A	接触材料 Contact material	Copper alloy
防护等级 IP Class	IP67	接触表面 Contact surface	Au
传感器执行接口 Sensor executive interface	M8 Female Acode 3P IEC 61076-2-104	接触件载体 Contact carrier	PA
主线缆接口 Main cable connection	M12 Male Acode 8P IEC 61076-2-101	主线缆接口材料 Main cable connection material	Copper alloy
执行接口拧紧扭矩 Interface tightening torque	0.2Nm(1.77Lb-In)	执行接口材料 Sensor executive interface material	Copper alloy
主线缆接口拧紧扭矩 Main cable interface tightening torque	0.4Nm(3.54Lb-In)	螺纹接口表面材料 Threaded interface surface material	Ni
工作环境温度 Ambient Temperature	-25~+80°C	工作环境温度 Ambient Temperature	-25~+80°C

产品图 Product figure

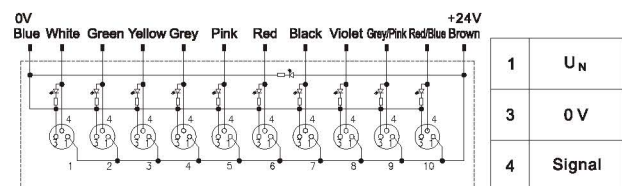


M8 母头A编码 3芯
M8 Female Acode 3P

外形尺寸 Size



电路图 Circuit schematic



M8 母头A编码 3芯
M8 Female Acode 3P

应用领域

DEGSON 连接器广泛用于机器人、工业自动化、数控设备、纺织机械、轨道交通、监控设备、能源、通讯等各种需要电力、数据和信号连接的设备中。

FIELD OF APPLICATION

DEGSON connectors are widely used in robot, industrial automation, CNC equipment, textile machinery, rail transit, monitor and control unit, energy, communicate and so on various equipments requiring electrical, date and signal connection.



交通技术
Transportation technology



数控设备
CNC equipment



轨道交通
Rail transit



工业自动化
Industrial automation



机器人
Robot



能源
Energy



机器人
Robot



监控设备
Monitor and control unit



通讯
Communicate





环境政策

DEGSON 认识到保护环境资源的重要性，并将其视为公司对社会应尽的义务，自觉满足产品的各项环保指标，为此我们制定以下环境战略方针：

- 1、满足客户需求，遵守国家 and 地方的法律、法规和其它环保要求。
- 2、环境保护为公司可持续发展的一项准则，坚持质量、效益和环保全面发展。
- 3、建立厂内废弃物管理，充分考虑在产品开发、生产、材料使用和废弃物处理等过程中可能影响环境的因素，提高企业内各场所的环境质量。
- 4、实施培训，全面提升全员的环境保护意识，实现环境管理体系和对环境保护能力的持续改进。
- 5、降耗节能，实现资源的充分利用。
- 6、向合作方及社会承诺为环境保护做出贡献。响应口号“人类只有一个地球”。
- 7、不断创新，开发新材料、新技术，制造节约型环保产品。

ENVIRONMENTAL POLICY

DEGSON realizes system regulation without lead in 2005 and has been granted ISO14001 in 2006. All the products conform to the European ROHS requirement.

DEGSON realizes the importance to protect environment resources, selfconsciously meets environment protection requirements for products and regards it as the responsibility. Thus, we have made the following environment strategic policy :

- 1、To meet customers' demands and obey the national and local laws and regulations as well as other environmental protection requirements.
- 2、Take environmental protection as one criterion for continuing development of our company. Insist on fully development of quality, benefit and environmental protection.
- 3、Fully considering the factors which will influence the environment in the processes of product development, manufacturing, material usage and waste processing, establish management system of waste in order to improve the environment of our company.
- 4、To increase the employees' consciousness of environmental protection through training and to realize the continuing improvement of environment management system and the ability of environmental protection.
- 5、To make full use of resources and to decrease consumption of material in order to save energy.
- 6、To promise to our partners and society that we will make contribution to environment protection. There is only one Earth for our humanity.
- 7、To strive for making conservation-oriented and environment-friendly products through continuous innovation and developing new materials and technology.

